

Atwood Mobile Products®

2007 Training Manuals

***Water Heaters,
Ranges, Furnaces,
and Hardware***




● **To begin, click here**

Atwood 2007 Training Manuals

Simply click on the desired training manual and you will be directed to the Table of Contents for that particular manual.

Click on any subject, or page number, on that Table of Contents (TOC) and you will be directed to that particular page.

Click on the **TOC** in the lower right hand corner and you will be directed back to the Table of Contents.

Click on the  Home icon in the lower right hand corner and you will be directed back here to choose which Training Manual you would like to view.

Warranty / Rate Schedule / Return Goods Program

Water Heater Training Manual

Range Training Manual

Furnace Training Manual

Hardware Training Manual

Atwood Warranty/Flat Rate Schedule/Return Goods Program Table of Contents

- Warranties
- Water Heater Limited Warranty I
- Cooking Appliance Limited Warranty I
- *hydro flame*® Limited Warranty and Extended Service Contract II
- Hardware Limited Warranty III

- Flat Rate Schedules
- Water Heaters IV
- Ranges V
- *hydro flame*® Furnaces & Detectors VI
- Hardware VII

- Return Goods Program VIII

Atwood® Water Heater Limited Warranty

Atwood Mobile Products warrants to the original owner and subject to the below mentioned conditions, that this product will be free of defects in material or workmanship for a period of two years from the original date of purchase. Atwood's liability hereunder is limited to the replacement of the product, repair of the product, or replacement of the product with a reconditioned product at the discretion of the manufacturer. This warranty is void if the product has been damaged by accident, unreasonable use, neglect, tampering or other causes not arising from defects in material workmanship. This warranty extends to the original owner of the product only and is subject to the following conditions:

1. For a period of two years from the date of purchase, Atwood will replace the complete water heater if the inner tank leaks due to corrosion. This warranty includes reasonable labor charges required to replace the complete water heater.
2. For two years from the date of purchase, Atwood will repair or replace any part defective in material or workmanship. This warranty includes reasonable labor charges, required to remove and replace the part. Service calls to customer's location are not considered part of these charges and are, therefore, the responsibility of the owner.
3. This warranty does not cover the following items classified as normal maintenance:
 - a. adjustment of gas pressure
 - b. cleaning or replacement of burner orifice
 - c. cleaning or adjustment of burner tube
 - d. cleaning or adjustment of flue
 - e. cleaning or adjustment of pilot and thermocouple
 - f. adjustment of pressure-temperature relief valve
 - g. replacement of thermal cut-off device.
4. **In the event of a warranty claim, the owner must contact, in advance, either an authorized Atwood Service Center or the Atwood Service Department. Warranty claim service must be performed at an authorized Atwood Service Center (a list will be provided at no charge) or as approved by the Consumer Service Department, Atwood Mobile Products, 1120 North Main St., Elkhart, IN 46514 USA. Phone: (866-869-3118).**
5. Return parts (or water heater) must be shipped to Atwood "Prepaid". Credit for shipping costs will be included with the warranty claim. The defective parts (or water heater) become the property of Atwood Mobile Products and must be returned to the Consumer Service Department, Atwood Mobile Products, 6320 Kelly Willis Road, Greenbrier, TN 37073 USA.
6. This warranty applies only if the unit is installed according to the installation instructions provided and complies with local and state codes.
7. The warranty period on replacement parts (or water heater) is the unused portion of the original warranty period or ninety (90) days, whichever is greater.
8. Damage or failure resulting from misuse (including failure to seek proper repair service), misapplication, alterations, water damage, or freezing are the owner's responsibility.
9. Atwood does not assume responsibility for any loss of use of vehicle, loss of time, inconvenience, expense for gasoline, telephone, travel, lodging, loss or damage to personal property or revenues. Some states do not allow the exclusion or limitation of incidental or consequential damages, so the above limitations or exclusions may not apply to you.
10. Any implied warranties are limited to two (2) years. Some states do not allow limitations on how long an implied warranty lasts, so the above limitation may not apply to you. This warranty gives you specific legal rights and you may also have other rights which vary from state to state.
11. Replacement parts (components or tanks) purchased outside of the original water heater warranty carry a 90 day warranty. This includes the part at no charge and reasonable labor charges to replace it.

This Atwood heater is designed for use in recreational vehicles for the purpose of heating water as stated in the "data plate" attached to the water heater. Any other use, unless authorized in writing by the Atwood Engineering Department, voids this warranty.

Atwood® Cooking Appliance Limited Warranty

Atwood Mobile Products warrants to the original owner and subject to the below mentioned conditions, that this product will be free of defects in material or workmanship for a period of two years from the original date of purchase. Atwood's liability hereunder is limited to the replacement of the product, repair of the product, or replacement of the product with a reconditioned product at the discretion of Atwood Mobile Products. This warranty is void if the product has been damaged by accident, unreasonable use, neglect, tampering or other causes not arising from defects in material workmanship. This warranty extends to the original owner of the product only and is subject to the following conditions:

1. For two years from the date of the original purchase Atwood warrants that this product will be free of defects in material and workmanship with the exceptions noted below. This warranty includes reasonable labor charges required to remove and replace the part. Service calls to the customer's location are not considered part of these charges and are therefore the responsibility of the owner.
2. This warranty does not cover the following items classified as normal maintenance and/or customer damage.
 - a. Damage, discoloration or scratches to porcelain enamel or other finishes from improper use and care.
 - b. adjustment of gas pressure
 - c. cleaning or adjustment of any burners
 - d. cleaning or replacement of burner orifices
 - e. cleaning or adjustment of pilot and thermocouple
 - f. damage to glass
 - g. products purchased for commercial or industrial use.
3. **In the event of warranty claim the owner must contact in advance either an authorized Atwood Service Station or the Atwood Service Department. Warranty claim service must be performed at an authorized Atwood Service Station (a list will be provided at no charge) or as approved by the Atwood Service Department Atwood Mobile Products, 1120 North Main St., Elkhart, IN 46514 USA. Phone 866-869-3118.**
4. Return parts must be shipped to Atwood Mobile Products "prepaid". Credit for shipping costs will be included with the warranty claim. The defective parts become the property of Atwood Mobile Products and must be returned to the Consumer Service Department, Atwood Mobile Products, Greenbrier Operations, 6320 Kelly Willis Road, Greenbrier, TN 37073 USA.
5. This warranty applies only if the unit is installed according to the installation instructions provided and complies with local and state codes.
6. The warranty on replacement parts is the unused portion of the original warranty period.
7. Damage or failure resulting from misuse (including failure to seek proper repair service) misapplication, alterations, water damage or freezing are owner's responsibility.
8. Atwood does not assume responsibility for any loss of use of vehicle, loss of time, inconvenience, expense for gasoline, telephone, travel, lodging, loss or damage to personal property or revenues. Some States do not allow the exclusion or limitation of incidental or consequential damages, so the above limitations or exclusions may not apply to you.
9. Any implied warranties are limited to two (2) years. Some States do not allow limitations on how long an implied warranty lasts, so the above limitation may not apply to you. This warranty gives you specific legal rights and you may also have other rights, which may vary, from state to state.
10. Replacement parts purchased outside the original cooking warranty carry a 90 day warranty. This includes the part at no charge and reasonable labor charges to replace it.

This Atwood product is designed for use in recreation vehicles for the purpose as stated in the 'data plate'. Any other use, unless authorized in writing by the Atwood Engineering Department, voids the warranty. Atwood/Wedgewood Vision Products include range/oven, drop-in, slide-in and high pressure stoves.

Atwood® hydro flame® Furnace Limited Warranty

Atwood Mobile Products warrants to the original owner and subject to the below mentioned conditions, that this product will be free of defects in material or workmanship for a period of two years from the original date of purchase. Atwood's liability hereunder is limited to the replacement of the product, repair of the product, or replacement of the product with a reconditioned product at the discretion of Atwood Mobile Products. This warranty is void if the product has been damaged by accident, unreasonable use, neglect, tampering or other causes not arising from defects in material workmanship. This warranty extends to the original owner of the product only and is subject to the following conditions:

1. For two years from the date of purchase, Atwood will repair or replace any part defective in material or workmanship. This warranty includes reasonable labor charges required to remove and replace the part. Service calls to customer's location are not considered part of these charges and are, therefore, the responsibility of the owner.
2. This warranty does not cover the following items classified as normal maintenance:
 - ADJUSTING - gas pressure, voltage, loose wire connections, and/or thermostat heat anticipator
 - CLEANING - air wheels, burner and/or burner orifice
 - CLEANING OR ADJUSTING - heat chamber, heat ducting, return air opening, and/or exhaust tubes
3. **In the event of a warranty claim, the owner must contact, in advance, either an authorized Atwood Service Center or the Atwood Service Department. Warranty claim service must be performed at an authorized Atwood Service Center (a list will be provided at no charge) or as approved by the Consumer Service Department, Atwood Mobile Products, 1129 North Main Street, Elkhart, IN 46514 USA. Phone: 866-869-3118**
4. RETURN PARTS MUST BE SHIPPED TO ATWOOD "PREPAID". Credit for shipping costs will be included with the warranty claim. The defective parts become the property of Atwood Mobile Products and must be returned to the Quality Assurance Dept., Salt Lake City Operations, 1874 South Pioneer Road, Salt Lake City, Utah 84104 USA.
5. This warranty applies only if the unit is installed according to the installation instructions provided and complies with local and state codes.
6. The warranty period on replacement parts is the unused portion of the original warranty period.
7. Damage or failure resulting from misuse (including failure to seek proper repair service), misapplication, alterations, water damage, freezing or not using genuine Atwood parts are the owner's responsibility.
8. Atwood does not assume responsibility for any loss of use of vehicle, loss of time, inconvenience, expense for gasoline, telephone, travel, lodging, loss or damage to personal property or revenues. Some states do not allow the exclusion or limitation of incidental or consequential damages, so the above limitations or exclusions may not apply to you.
9. Any implied warranties are limited to (2) two years. Some states do not allow limitations on how long an implied warranty lasts, so the above limitation may not apply to you. This warranty gives you specific legal rights and you may also have other rights which vary from state to state.
10. Replacement parts purchased outside of the original furnace warranty carry a 90 day warranty. This includes the part at no charge and reasonable labor charges to replace it.

This hydro flame furnace is designed for use in recreation vehicles for the purpose of heating air as stated in the "data plate" attached to furnace. Any other use, unless authorized in writing by the Atwood Engineering Department, voids this warranty.

9/03

Atwood® hydro flame® Furnace Extended Service Contract

TERMS AND PROVISIONS:

1. Written approval by Atwood must be obtained prior to having any repairs made or parts replaced under these Warranties at other than an Atwood Authorized Service Center. A list can be obtained by calling 1-866-869-3118. Any such unauthorized charges will not be paid by Atwood.
2. Air freight or postage charges shall be borne by party claiming under Warranties. The Original Purchaser shall have the full responsibility of making the furnace or RV available for repair or replacement at Atwood Mobile Products, Salt Lake Operations or at an Atwood Authorized Service Center. Service calls are not covered under the normal two year warranty.
3. Atwood's Authorized Service Centers are neither agents nor employees of Atwood and at all times will be acting as independent contractors with the Original Purchaser. Atwood will reimburse service centers for warranty service rendered on a direct basis only.
4. Repairs, replacement parts and or furnace replacement authorized by Atwood shall be subject to the remainder of the warranty, if any of the aforesaid two year period.

Exclusions (specifically excluded from the warranties)

1. Incidental or consequential damages.
2. Damaged caused by shipment.
3. Damage resulting from improper installation, misuse, neglect, accident or use in violation of instructions furnished by Atwood Mobile Products.
4. Equipment and parts which have been altered in any way whatsoever without written authorization from Atwood Mobile Products.
5. All repairs and replacement parts not authorized by Atwood Mobile Products.
6. Preventative maintenance.

Limitations

1. The maximum liability of Atwood Mobile Products in connection with this limited warranty shall not in any event exceed the original price paid for the furnace claimed to be defective or unsuitable.
2. Components manufactured by any supplier other than Atwood Mobile Products shall bear only that warranty made by the manufacturer or supplier of that product.

3/97

Atwood® Hardware Product Limited Warranty

Atwood Mobile Products warrants to the retail owner and subject to the below mentioned conditions, that this product will be free of defects in material or workmanship for a period of two years from the original date of purchase. Atwood's liability hereunder is limited to the replacement of the product, repair of the product, or replacement of the product with a reconditioned product at the discretion of the manufacturer. This warranty is void if the product has been damaged by accident, unreasonable use, neglect, tampering or other causes not arising from defects in material or workmanship. This warranty extends to the original owner of the product only and is subject to the following conditions:

1. For two (2) years commencing with the date of purchase, Atwood will provide the replacement or repair of any Hardware System found to be defective by Atwood in material or workmanship.
2. Replacement parts purchased outside the original hardware warranty carry a 90 day warranty. This includes the part at no charge and reasonable labor charges to replace it.
3. **In the event of a warranty claim, the original owner must contact the Atwood Consumer Service Department, 1120 North Main, Elkhart, IN 46514 USA. Phone: (866-869-3118). Warranty Claim Service must be performed as approved by the Atwood Consumer Service Department. Warranty replacement hardware systems and components or parts will be furnished freight prepaid labor cost to repair or replace will be limited to the amount of the original purchase price of the systems and components. The replaced warranty products or parts become the property of Atwood Mobile Products and must be returned to the Atwood Consumer Service Department freight prepaid, unless prior arrangements have been made.**
4. This limited warrant is valid only when the product is applied, installed, maintained and operated in accordance with this Atwood Installation Maintenance and Operating Manual. Any deviation from these recommended specifications must be approved in writing by Atwood.
6. ANY IMPLIED WARRANTIES arising by way of State Law, including any implied warranty of merchantability and any implied warranty of fitness for a particular purpose are limited in duration to the term of this Limited Warranty. Atwood makes no further warranty of any nature beyond this Limited Warranty. No person has authority to enlarge, amend or modify this Limited Warranty.

10/07



Atwood Mobile Products LLC
 1120 North Main Street • Elkhart, IN 46514
PHONE: 574•264•2131 **FAX:** 574•262•2550
INTERNET: <http://www.atwoodmobile.com>

Water Heaters

Flat Rate Schedule

2/9/07

TIME ALLOWANCE SCHEDULE in hours

Replacement of:	Standard Pilot Model	Electronic Ignition Model
Access Door.....	.30	.30
Circuit Board.....	N/A	.50
Complete Water Heater.....	1.50	1.75 *
Drain Valve or Plug.....	.30	.30 *
Electric On-Off Switch.....	N/A	.50 *
Heating Element.....	1.00*	1.00 *
Inner Tank.....	2.00	2.30
Main Burner.....	.50	.50
Mixing Valve.....	N/A	.50
Wall Switch.....	N/A	.75
Pilot Assembly.....	.50	N/A
Pilot Ignitor Module.....	.50	N/A
Pressure-Temp. Relief Valve.....	.50	.50 *
Relay.....	N/A	.50 *
Solenoid Valve.....	N/A	.50
Spark & Probe Assembly.....	N/A	.50
Thermal Cut Off.....	N/A	.30
Thermostat & E.C.O.....	N/A	.50 *
Thermostat-electric.....	.50	.50
Thermostat-gas.....	1.00	N/A

* indicates time allowed for Electric/Marine units

Note: Warranty claims must be filed and received within six months from the date of repair. Claims received beyond this time frame will not be considered for warranty payment.

All flat rates include diagnostic time and when applicable, gas leak test.



Atwood Mobile Products LLC
 1120 North Main Street • Elkhart, IN 46514
PHONE: 574•264•2131 **FAX:** 574•262•2550
INTERNET: <http://www.atwoodmobile.com>

Recreation Vehicle Ranges

Flat Rate Schedule

11/28/06

TIME ALLOWANCE SCHEDULE in hours

	RA 33 RA 32	RV 33 RV 32	CV 33 CA 33 CV 32 CA 31	DV-30 DV-20
Complete Unit.....	1.0	1.0	.7	.5
Bifold Cover.....	.2	.2		
Burner Head.....	.3	.3	.3	.3
Burner Head Electrode.....	.3	.3	.3	.3
Burner, Oven.....	.3	.3		
Cover, Manifold.....	.6*	.6*	.4*	.4*
Handle.....	.2	.2		
Hinge, Door.....	.5	.5		
Ignition Module.....	.7	.7	.7	
Ignition Switch.....	.7	.7	.7	
Oven Control (Thermostat).....	1.0*	1.0*		
Oven Door.....	.3	.3		
Maintop.....	.2	.2	.2	.2
Manifold, Pipe.....	.5	.5	.5	.5
Piezo Igniter.....	.5	.5	.5	
Regulator.....	.5*	.5*	.5	.5
Safety Valve/Pilot Assembly.....	.5	.5		
Seal.....	.3	.3		
Spring, Hinge.....	.3	.5		
Trim, Bottom.....	.6*	.6*		
Trim, Maintop, LH/RH.....	.9*	.9*	.6*	
Trim, Vent Top.....	.7*	.7*	.5*	
Valve, Burner.....	.6	.6	.6	.6
All Other Parts.....	.5*	.5*	.5	.5

* indicates 0.5 hours will be allowed to remove and install the appliance. If two or more parts are replaced on the same appliance during the repair, the R & R allowance to remove the appliance will be applied to only one part.

NO LABOR IS ALLOWED TO CHANGE KNOBS

Above time allowances include all operations involved in the diagnosis, location and replacement of part. Also, included is the time required to remove and replace any part or assembly that is in the path of a part being replaced and gas leak test when applicable.

Note: Warranty claims must be filed and received within six months from the date of repair. Claims received beyond this time frame will not be considered for warranty payment.



Atwood Mobile Products LLC
 1120 North Main Street • Elkhart, IN 46514
 PHONE: 574•264•2131 FAX: 574•262•2550
 INTERNET: <http://www.atwoodmobile.com>

**hydro flame™
 Furnaces
 AND Detectors**

**Flat Rate
 Schedule**

**TIME ALLOWANCE
 SCHEDULE in hours**

11/28/06

	85 IV 1522 & 2334	DC89 III 2540	AC89 III	8012 II	79 II
Complete FURNACE	1.00	1.00	1.00	1.00	1.00
Air Box Extension.....				.70	.70
Air Wheel (Circulating).....	.75	.75	.75	1.00	1.00
Air Wheel (Combustion).....	1.00	1.00	1.00	1.00	1.00
Blower Housing.....	.50	.50	.50		
Burner.....	.60	.60	.60	.80	.80
Burner Box.....	.70	.70	.70		
Burner Plate.....				.80	.80
Burner Plate Gasket.....				.75	.75
Casing.....	1.00	1.00	1.00	1.50	1.50
Circuit Breaker.....	.40	.40	.40	.80	.80
Combustion Chamber.....	1.50	1.50	1.50	1.50	1.50
Door.....	.70	.70	.70	.30	.30
Draft Cap.....	.30	.30	.30		
Circuit Board.....	.70	.70	.70	.70	.70
Circuit Board Bracket.....	.70	.70	.70	.70	.70
Electrode.....	.60	.60	.60	.70	.70
Exhaust Tube.....				.70	.70
Gasket Comb. Chamber.....	1.50	1.50	1.50		
Gasket Electrode.....	.60	.60	.60	.70	.70
High Tension Lead.....	.50	.50	.50	.50	.50
Limit Switch.....	.90	.90	.90	.60	.60
Manifold Inlet.....	.75	.75	.75		
Manifold Outlet.....	.75	.75	.75	1.00	1.00
Motor.....	1.00	1.00	1.15	1.15	1.15
Motor Bracket.....	1.15	1.15	1.15		
Motor Capacitor.....			.50		
Motor Mounting Wall.....	1.50	1.50	1.50		
Orifice (Burner).....	.60	.60	.60	.80	.80
Relay.....	.50	.50	.50	.60	.60
Sail Switch.....	.60	.60	.60	1.00	1.00
Thermostat.....	.50	.50	.50	.50	.50
Transformer.....			.60		
Valve.....	.80	.80	.80	1.00	1.00
Valve Bracket.....	.80	.80	.80	1.00	1.00
Valve Coil.....	.70	.70	.70	.50	.50
Wiring Harness.....	1.00	1.00	1.00	1.00	1.00

Complete DETECTORS25
Complete CONVERTER	1.00
Breaker Stab Assembly.....	.50
DC Fuse Board.....	.50
Door.....	.25
Neutral/Ground Bars.....	.25

NOTES:

- 1) If more than one repair is done, minus .40 for each additional repair.
- 2) All flat rates include diagnostic time and when applicable, gas leak test.
- 3) Additional .50 hrs for removal and replacement of door less furnaces (LD models).
- 4) Warranty claims must be filed and received within six months from the date of repair. Claims received beyond this time frame will not be considered for warranty payment.



Atwood Mobile Products LLC
 1120 North Main Street • Elkhart, IN 46514
PHONE: 574•264•2131 **FAX:** 574•262•2550
INTERNET: http://www.atwoodmobile.com

Hardware

Flat Rate Schedule

TIME ALLOWANCE SCHEDULE in hours

1/24/07

BRAKE SYSTEM

Complete Actuator:

Bolt On	1.00
Weld On	2.00
Master Cylinder	1.00
Push Rod Assembly75
Shock Absorber.....	.50
Shoulder Bolt50
Release Handle.....	1.00
Stop Spring50
Foundation Brakes (per axle)	1.50
Shoe & Lining (per axle)	1.50
Wheel Cylinder (per axle).....	1.50

COUPLER

Complete Coupler:

Bolt On50
Weld On	1.50
Latch (2" or 2 5/16")	1.00

DURALEG™

Circuit Board50
Key Pad50
Complete Jack Leg (per leg)75

5TH WHEEL LANDING LEG*

Both Legs**	1.50
One (1) Leg**75
Bevel Gears (per Leg)75
Cap25
Gear Box75
Motor50
Switch50

* Inner ram not available, replace appropriate leg.

** Flat rate pertains to landing gear that are accessible on outside of 5th wheel. If landing gear are buried in belly of 5th wheel, it may require more time.

LEVELEGS™

Front Levelegs (per leg)75
Rear Levelegs (per leg)	1.00
Relay Control.....	.75
Key Pad75

* rate times include the resetting of the auto sequence.

BALL SCREW CAMPER JACK*

Electric:

Complete Jack50
Bevel Gears.....	1.50
Brackets50
Cover Top-Bottom25
Motor75
Motor Switch.....	.50
2-Way/4-Way Plug50
Relay Control Module	1.00
Activation Switch50

Manual:

Complete Jack50
for each add'l jack add25
Cover25
Bevel Gears75
Brackets50

POWER JACK*

Complete Jack50
Cover25
Lens25
Light Socket25
Light Switch25
Motor50
Motor Switch.....	.25

SIDE WIND JACK*

Complete Jack:

Bolt On50
Weld On50
Bevel Gears50
Cover50
Handle50

STABILIZER JACK*

Complete Jack50
---------------------	-----

TOP WIND JACK*

Complete Jack:

Bolt On50
Weld On	1.00
Bearing	1.00
Handle50

Note: Warranty claims must be filed and received within six months from the date of repair. Claims received beyond this time frame will not be considered for warranty payment.

All flat rates include diagnostic time.

ATWOOD RETURN GOODS PROGRAM

WARRANTY RETURNS - The Warranty Program, Must Return Parts List and approved Flat Rate Schedule; (by product line) provide the framework for Warranty Returns.

NON- DEFECTIVE RETURNS - A restocking fee (by product line) will be charged for handling overstock returns or standard stock items ordered incorrectly by the customer. The product must be received in resalable condition. Product that has been specifically designed at the customer's request is non-returnable. Obsolete or out-dated product will not be accepted for credit.

DEFECTIVE RETURNS - Within 30 days of sale, defective returns are to be shipped back to the respective manufacturing facility for Problem Cause Analysis (PCA).

ALL WARRANTY RETURNS - If the PCA determines Atwood is responsible, full credit will be issued. If the PCA determines the customer is responsible, partial or no credit will be issued at Atwood's discretion.

SHIPPING DAMAGE - Once the product has been accepted at your facility, it is the customer's responsibility to file the damage claim with the carrier.

RETURN PARTS - Before returning any part to Atwood a Returned Goods Number (RGN) must be obtained by calling Atwood Mobile Product Service Department at 800-825-4328.

SHIPPING - If the PCA determines Atwood is responsible for the disposition of a defective and/or warranted part, reasonable shipping charges are reimbursed. All products not shipped via Atwood trucks should be shipped prepaid via UPS Ground when able (unless negotiated at the time the RGN is given). **No collect shipments will be accepted.**

PACKAGING - The RGN # must be identified on each container and all packing information. Product returned must be packaged to prevent shipping damage. Full credit will not be issued on product sent back in an open skid or improperly packaged. Additional product boxes are available upon request when applicable. Warranty Claims must be submitted to the correct division.

MUST RETURN PARTS LIST - Atwood requires the defective part to be returned with the warranty claims form. Failure to accompany your claim with the part will result in the non-shipment of a replacement part, or the non-processing of the appropriate credit until the part is received by Atwood.

Before returning the part, a RGN (Returned Goods Number) must be obtained by calling the Atwood Service Department at 800-825-4328. This RGN # is required for all products. Without this RGN # appearing on the outside of the shipping carton, the shipment will be refused at our Receiving Department.

PARTS MUST BE RETURNED TO THE CORRECT DIVISION

Jacks, Couplers, 5th Wheel, Leveling, Braking Systems & Excel Type RV Window Assemblies

Atwood Mobile Products
800 Highway 150 South
West Union IA 52175

Water Heaters, Ranges, Ovens, Slide-ins & Drop-Ins

Atwood Mobile Products
6320 Kelly Willis Road
Greenbrier TN 37073

Furnace, LP & CO Detectors, Converters & Distribution Panels

Atwood Mobile Products
Salt Lake City Operations
1874 South Pioneer Road
Salt Lake City UT 84104

Glass

Spec-Temp
5406 U.S 24
Antwerp OH 45813

Creation Brand Mfg. Housing Windows & Doors & RV Windows

Atwood Mobile Products
Plant 1
53061 Ada Drive
Elkhart IN 46515

Mass Transit Window Assemblies

Lawrenceburg Operations
2200 Helton Dr.
Lawrenceburg TN 38464

Heavy Truck Window Assemblies

Queretaro MX Operations
Fracc Ind. San Pedrito
Santiago de Queretaro
Queretaro, Mexico C.P. 76148

Seating Products & RV Doors

Atwood Mobile Products
57912 Charlotte Avenue
Elkhart IN 46517

MUST RETURN PARTS LIST

Hardware

Actuators
All 5th wheel items
Couplers
Foundation brakes
Jacks
Levellegs
Master cylinders
Power jacks
Power jack motor
Shock absorbers

Water Heater

Circuit boards
Complete water heaters
E.C.O. & thermostat kits
Electric thermostats
Gas solenoid valves
Gas thermostat valves
Heating elements
Inner tanks
Pilot assemblies
Pressure temperature relief valves
Spark probe assemblies
Thermal cut-offs

Range, Oven, Slide-In & Drop-In (cook-tops)

12 volt ignition module
Burners with ignition
Burner valves
Complete ranges (by approval only)
Oven thermostats
Regulators
Safety pilot valves

Furnace, Detectors, Converters & Distribution Panels

All parts

Seating Products & RV Doors

All parts

FOR EFFICIENT PROCESSING OF CLAIM

- CALL** for RGN # 800-825-4328
West Union WINDOWS - 563-422-5641
Lawrenceburg WINDOWS - 931-762-2090
Mexico WINDOWS - 011-52-442-211-7500
- COMPLETE** Warranty Service Report form.
- Clearly **MARK THE PART** with the RGN #.
- PACKAGE** defective part, **INCLUDE** the Warranty Service Report.
- Clearly **MARK THE OUTSIDE OF THE PACKAGE** with the RGN #.
- SEND THE PART TO THE CORRECT DIVISION** of Atwood Mobile Products.



Atwood Mobile Products LLC

1120 North Main Street • Elkhart, IN 46514

PHONE: 574•264•2131 **FAX:** 574•262•2550

INTERNET: <http://www.atwoodmobile.com>

EFFECTIVE 2/21/07

Atwood Water Heaters

Table of Contents

- **AftermarketLP Gas Water Heater Model Identification** 2
- **Pilot Models**
 - Questions 3
 - Model Number Explanation / Features 4
 - Recommended Tools & Equipment 5
 - Gas Thermostat Controls & Pilot Assemblies 6
 - Pilot Sequence of Operation 7
 - Pilot & Main Burner 8
 - Trouble Shooting Guide - Pilot 9
 - Engine Heat Exchange System / Aftermarket Heating Elements 10
 - Bolt-In Heating Element, Thermostat & ECO / 110 VAC Trouble Shooting Wiring Schematic 11
 - Screw-In Heating Element, Thermostat & ECO / 110 VAC Trouble Shooting Wiring Schematic 12
- **Electronic Ignition & XT Models**
 - Questions 13
 - Model Number Explanation / Features 14
 - Recommended Tools & Equipment 15
 - DSI Sequence of Operation 16
 - Trouble Shooting Guide - Electronic Ignition 17-18
 - Information Guide - Intermittent Ignition 19-20
 - Potted Channel Circuit Boards / Thermal Cut Off Device / Thermostat 21
 - Wiring Schematics 22
 - Water Heater Wiring Revision GC 10A-4E & GC 6A-10E 23
 - Water Heater Conversion 3E to 4E & 9E 10E 24
 - 4E & 10E - Sequence of Operation & Quick Diagnostic 25
- **General Water Heater Information**
 - Questions 26
 - Pressure Temperature Relief Valve / Water Heater Tank Corrosion / Atwood Clad Tank 27
 - Flushing Tank / Winterizing Instructions 28
 - Water Heater Terminology 29
- **Pilot Water Heater Parts Breakdown** 30-32
- **Replacement Part Reference**

G10B, G10C / G610-3B, GH610-3 / G4SM / G6A-2, G6A-3, G6A-6, G6A-6P, G6A-7, G6A-7P / GC6A, GC6A-3,
GC6A-6, GC6A-7 / GH6-3, GH6-6, GH6-7 / GC6AA-7, GC6AA-7P / GC6AA-8, GC6AA-8P / G610-3,
GC10-1, GC10-2, GC10-2P / GC10A-2 / GC10A-2P / G10-1, G10-1P, G10-2, G10-2P
- **Electronic Ignition Water Heater Parts Breakdown** 33-36
- **Replacement Part Reference**

G610-3E, GH610-3E / GCH6-4E, GCH6-6E, / GC6A-7E / GC6AA-7E / GC6AA-8E / GC6AA-9E, GC6AA-10E
G6A-2E, G6A-3E, G6A-4E, G6A-6E, G6A-7E, G6A-8E / G6A-3E, GH6-3E / GH6-4E, GH6-6E, GH6-7E,
GH6-8E / GCH6A-7E, GCH6A-8E, GCH6A-9E / GCH6A-10E / GCH10A-2E, GCH10A-3E / GCH10-4E / G10-1E /
GH10-2E, GH10-3E / GC10-1E, GC10-2E / GC10A-2E / GC10A-3E / GC10A-4E
- **XT Water Heater**
 - 10 Gal XT Water Heater Replacement Valve Kit 37
 - Parts Reference 38
 - Wiring Diagram 39
- **Service Tank Kit Part Numbers** 40
- **Marine Water Heater Parts Breakdown** 41

Atwood LP Gas Water Heaters

PART #	MODEL#	DESCRIPTION
96110	G6A-7	6 GAL. GAS - PILOT
	G6A-7P	6 GAL. GAS - PILOT RELIGHT
96117	GC6AA-8	6 GAL. GAS/ELECTRIC - PILOT
	GC6AA-10E	6 GAL. GAS/ELECTRIC - DSI
96163	GCH6A-10E	6 GAL. GAS/ELECTRIC - HEAT EXCHANGER - DSI
96121	G6A-8E	6 GAL. GAS - DSI
96136	GH6-8E	6 GAL. GAS - HEAT EXCHANGER - DSI
90073	G9-EXT	6 GAL. GAS - DSI - EXOTHERMAL
90071	GE9-EXT	6 GAL. GAS/ELECTRIC - DSI - EXOTHERMAL
90068	GEH9-EXT	6 GAL. GAS/ELECTRIC - HEAT EXCHANGER - DSI - EXOTHERMAL
94180	G10-2	10 GAL GAS - PILOT
94186	GC10A-2	10 GAL GAS/ELECTRIC - PILOT
94191	G10-3E	10 GAL GAS - DSI
	GH10-3E	10 GAL GAS - HEAT EXCHANGER - DSI
94022	GC10A-4E	10 GAL GAS/ELECTRIC - DSI - EXOTHERMAL
94023	GCH10A-4E	10 GAL GAS/ELECTRIC - HEAT EXCHANGER - DSI - EXOTHERMAL
94105	G16-EXT	10 GAL GAS - DSI - EXOTHERMAL
94026	GE16-EXT	10 GAL GAS/ELECTRIC - DSI - EXOTHERMAL
94029	GEH16-EXT	10 GAL GAS/ELECTRIC - HEAT EXCHANGER - DSI - EXOTHERMAL
MARINE WATER HEATERS - 110 VOLT		
	EHM4-SM	4 GAL INTERNAL HEAT EXCHANGER - 150 PSI
	EHM6-SM-FHX	6 GAL INTERNAL HEAT EXCHANGER - SINGLE LOOP - 75 PSI
93891	EHM6-SM-FHX	6 GAL INTERNAL HEAT EXCHANGER - SINGLE LOOP - 150 PSI
	EHM6-SM-FHX-4W	6 GAL INTERNAL HEAT EXCHANGER - SINGLE LOOP - 150 PSI - ANDERSON CONNECTOR
	EHM6-SM-FHX-TC	6 GAL INTERNAL HEAT EXCHANGER - SINGLE LOOP - 150 PSI W/VAC VALVE
94610	EHM6-SM-FHX-SS	6 GAL INTERNAL HEAT EXCHANGER - SINGLE LOOP - 150 PSI - SS
93882	EHM11-SM-FHX	11 GAL INTERNAL HEAT EXCHANGER - SINGLE LOOP - 150 PSI
	EHM11-SM-FHX	11 GAL INTERNAL HEAT EXCHANGER - SINGLE LOOP - 75 PSI
94550	EHM11-SM-FHX-SS	11 GAL INTERNAL HEAT EXCHANGER - SINGLE LOOP - 150 PSI - SS
	EHM11-SM-FHX-4W	11 GAL INTERNAL HEAT EXCHANGER - SINGLE LOOP - 150 PSI - ANDERSON CONNECTOR
	EHP-10-SS	10 GAL INTERNAL HEAT EXCHANGER - FOUR LOOP - 150 PSI - SS
96335	EHP-10	10 GAL INTERNAL HEAT EXCHANGER - FOUR LOOP - 150 PSI
	EHM11-SM-SS-DUAL-HX	11 GAL EXTERNAL & INTERNAL HEAT EXCHANGER - SINGLE LOOP - 150 PSI - SS
94210	EH20	20 GAL INTERNAL HEAT EXCHANGER - TWO LOOP - 150 PSI
94215	E20	20 GAL NO HEAT EXCHANGER - 150 PSI
INTERNATIONAL MARINE WATER HEATERS - 220 VOLT - CE APPROVED		
	EHM4	
94590	EHM6-FHX	6 GAL INTERNAL HEAT EXCHANGER - SINGLE LOOP - 150 PSI
	EHM6-FHX	6 GAL INTERNAL HEAT EXCHANGER - SINGLE LOOP - 75 PSI
94605	EHM6-SS-FHX	6 GAL INTERNAL HEAT EXCHANGER - SINGLE LOOP - 150 PSI - SS
	EHM6-FHX-4W	6 GAL INTERNAL HEAT EXCHANGER - SINGLE LOOP - 150 PSI - ANDERSON CONNECTOR
94555	EHM11-FHX	11 GAL INTERNAL HEAT EXCHANGER - SINGLE LOOP - 150 PSI
	EHM11-FHX	11 GAL INTERNAL HEAT EXCHANGER - SINGLE LOOP - 75 PSI
	EHM11-FHX	11 GAL INTERNAL HEAT EXCHANGER - SINGLE LOOP - 150 PSI
94575	EHM11-SS-FHX	11 GAL INTERNAL HEAT EXCHANGER - SINGLE LOOP - 150 PSI - SS
	EHM11-FHX-4W	11 GAL INTERNAL HEAT EXCHANGER - SINGLE LOOP - 150 PSI - ANDERSON CONNECTOR
94220	EH20	20 GAL INTERNAL HEAT EXCHANGER - TWO LOOP - 150 PSI
94225	E20	20 GAL NO HEAT EXCHANGER - 150 PSI
	E20	20 GAL NO HEAT EXCHANGER - 75 PSI

DSI - DIRECT SPARK IGNITION
 SS - STAINLESS JACKET
 XT - EXOTHERMAL

Pilot Models



QUESTIONS

The following questions should be answered during this portion of the manual:

- Are the Robertshaw and White Rodgers thermostat gas control valves inter-changeable?
- What is the minimum gas pressure required for proper water heater operation?
- Where on the water heater gas control can gas pressure be tested?
- Can the pilot flame be adjusted?
- What is minimum millivolt output of the thermocouple required for proper gas control operation?
- How can you test a thermocouple?
- How tight should the thermocouple connection be at the gas control?
- What is an E.C.O., where is it located and what is its function?
- What is a proper main burner air shutter adjustment?
- What is the proper control and main burner alignment?
- How can you easily check the calibration of a control?

Atwood 6 and 10 Gallon Pilot Water Heaters

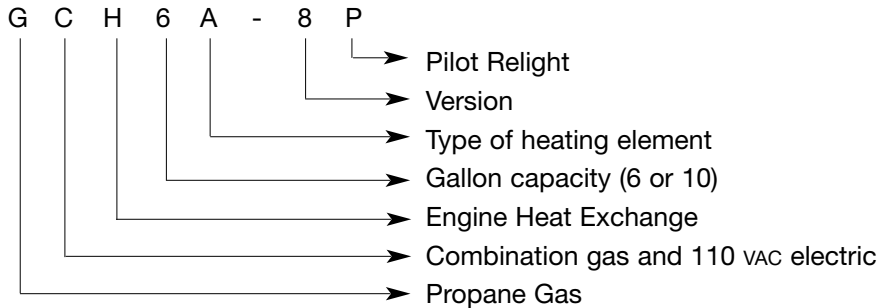
Atwood water heaters are designed and approved for use only in recreation vehicles (travel trailers, 5th wheels, motor homes, etc.). They are offered in two sizes: 6 and 10 gallon capacities.

TYPE OF GAS IGNITION -

This unit is ignited outside of the trailer by a match, piezo ignitor or other ignition device. The water temperature is adjustable at the thermostat control.

EXPLANATION OF MODEL NUMBER:

Pilot Models



NOTE: When replacing the element on a combination gas/110 VAC unit, always check the back of the heater for the type of element it has. It will either be a bolt-on or screw-in element. They are not interchangeable.

FEATURES

- All units operate on propane gas.
- A heat exchange option is available for motor homes. The water heater tank must have factory equipped heat exchange tubes welded on it already. They cannot be added later. A new water heater tank with this option is the only way to obtain this feature.
- Skin mounting allows the water heater to be hooked up with plumbing and electrical before the sidewall is erected.
- The tank has a clad aluminum lining that protects against corrosion and does not need to be replaced on a yearly or more frequent basis unlike an anode rod. A more detailed explanation of cladding is found in the back of this manual.
- 95% of all servicing can be done on the outside of the water heater. 110 VAC heating components are the exception since they are located on the back of the water heater inside the trailer.
- A flush flange is available for all models. This makes the access door flush with the trailer sidewall.
- There are multiple protection features in the form of a pressure-temperature relief valve, a limit switch in the gas thermostat and an externally sealed combustion chamber.
- On combination water heaters, the gas mode and the 110 VAC heating mode can be operated at the same time since each mode has its own thermostat.
- Both the six and ten gallon units have the lightest weight in the industry.
- The Atwood Limited Warranty is for a period of two years.
- There are over 1,000 Service Centers throughout the United States.

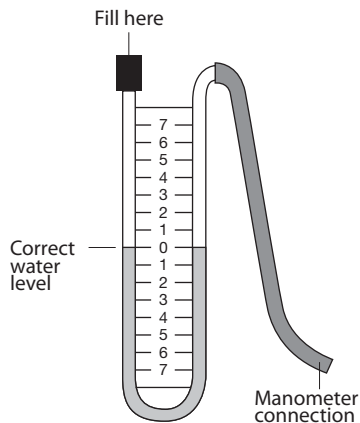
Recommended Tools and Equipment

U-Tube Manometer - This is the most accurate device for measuring gas pressure. If you use a dial-type manometer, it should be calibrated periodically with this type of manometer.

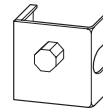
Thermostat Wrench - This tool allows for easier and safer removal of the gas thermostat control. An adjustable version for different size controls is available through most RV distributors or you may fabricate one from angle iron. We do not recommend using a pipe wrench because it may damage the control causing it to go out of calibration.

U-TUBE MANOMETER

with 1/8" pipe nipple



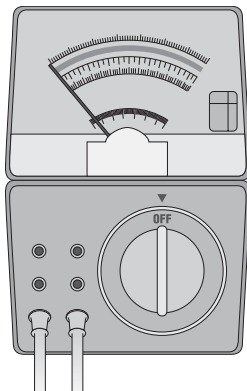
THERMOSTAT WRENCH



Multi-meter - This is the most versatile meter and will test AC voltage and continuity. A continuity test can be used to test for a blown E.C.O. on a gas control.

Magnet Assembly Thermocouple Tester - This assembly can be obtained at an electronics or hardware store. This same assembly can also be removed from a Robertshaw control. It will verify if a thermocouple is good. For testing, screw a thermocouple into the tester, heat the thermocouple for 25 seconds and then press the plunger down. If the plunger pops up in less than 25 seconds, the thermocouple is faulty.

MULTI-METER TO TEST VOLTAGE AND CONTINUITY



MAGNET ASSEMBLY TO TEST THERMOCOUPLE



Common Hand Tools - 1/8" and 1/4" nut drivers, open end wrenches, flat blade and Phillips screw drivers.

Leak Test Solution - A solution that bubbles when applied to gas fittings or connections showing when a gas leak is present.

Gas Thermostat Controls and Pilot Assemblies

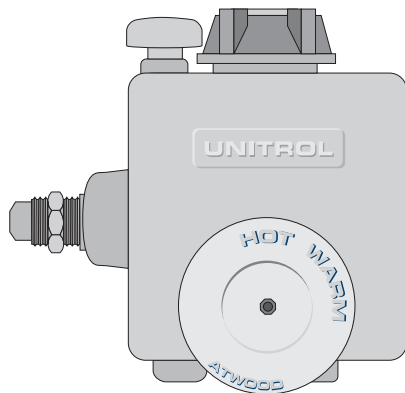
Only two makes of gas controls have been used on our pilot model water heaters. They are the Robertshaw “Unitrol” and White Rodger (formerly Jade or ITT).

The Robertshaw control came in two different sizes of gas inlets: 3/8” inverted flare and 3/8” N.P.T. The inverted inlet control is no longer available. Therefore, the water heater gas line connection will have to be modified to 3/8” N.P.T. in order to use the current Robertshaw control.

The White Rodger control is the valve we are using on all production today. Formerly it had a 3/8” N.P.T. inlet. Now it is only available with a 1/4” inlet. This improvement eliminates the adapter fitting into the control allowing the use of only a single 45 degree elbow (3/8” flare x 1/4” N.P.T.). If you are replacing a current 1/4” inlet model control with a earlier model 3/8” inlet control you may have in stock, the adapter fitting that mates the control and elbow fitting is still available.

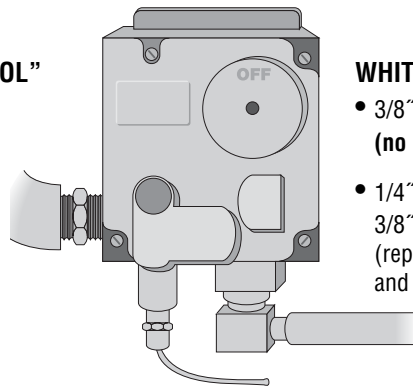
Although the controls appear quite different in size, the White Rodger and Robertshaw control are interchangeable. Their manifolds will both line up with the burner tube properly.

Both controls have a port to test gas pressure through the valve. This can be accomplished by removing the cover screw and inserting a 1/8” pipe nipple. After attaching your manometer hose to this fitting, the manometer should register 10” W.C. through the valve while it is operating.



ROBERTSHAW “UNITROL”

- 3/8” Inverted inlet
3/8” N.P.T. outlet
(no longer available)
- 3/8” N.P.T. inlet
3/8” N.P.T. outlet



WHITE RODGERS (JADE, ITT)

- 3/8” N.P.T. outlet
(no longer available)
- 1/4” N.P.T. inlet
3/8” N.P.T. outlet
(replaces all Robertshaw and Jade controls)

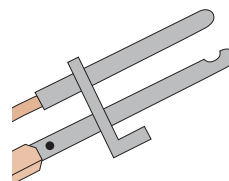
There are two main pilot assemblies that you will encounter in the field.

The first is an earlier model Robertshaw pilot assembly with a 1/4” pilot gas line that mounted on the left side of the main burner.

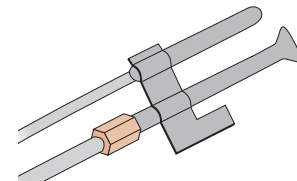
The current pilot is the Jade assembly with a 1/8” pilot gas line and it mounts on the right side of the main burner.

The Robertshaw pilot is no longer available and the Jade pilot must be substituted. When installing a Jade assembly in place of a Robertshaw assembly, if there is not a location on the right side of the main burner to mount the Jade pilot, a new burner that has the proper mounting holes will have to be purchased.

Note: The size of the gas line does not have any affect on the size of the pilot flame. Only the gas pressure and pilot orifice regulate the height of the pilot flame.



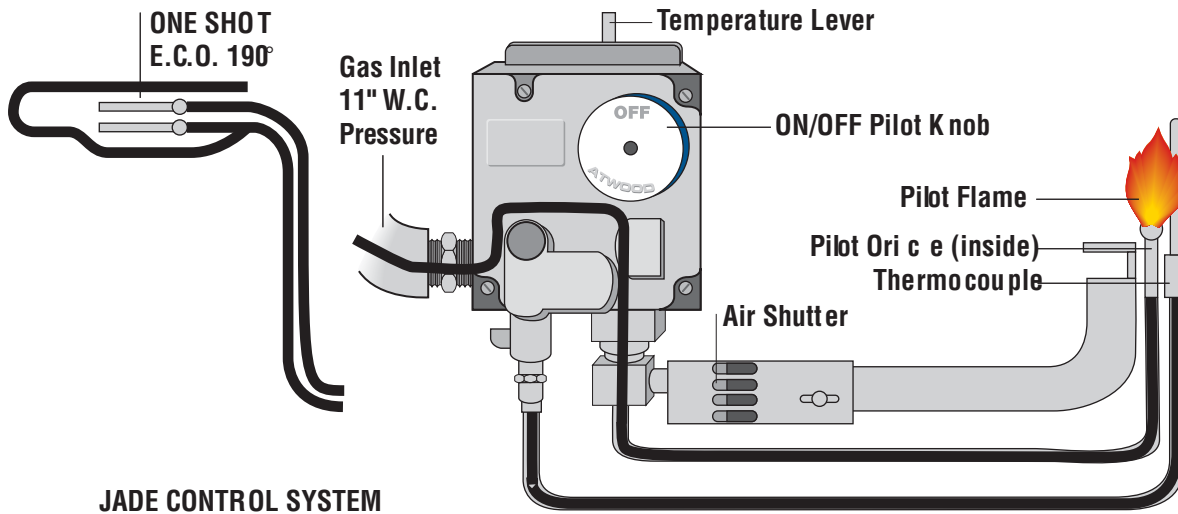
JADE



ROBERTSHAW

(obsolete, replace with Jade)

Pilot Sequence of Operation



JADE CONTROL SYSTEM

PILOT OPERATION

- **Gas Pressure** 11" W.C. to control is necessary. Set with two gas appliances running.
- ↓
- **Gas Control** supplies gas to pilot orifice when control ON/OFF pilot knob is held at pilot position.
- ↓
- **Pilot Orifice** meters gas to heat thermocouple. Flame should be high enough to engulf the thermocouple.
- ↓
- **Thermocouple** generates millivoltage to the gas control's magnet assembly.
- ↓
- **Magnet** when it receives 12 millivolts or more it allows gas to flow freely to pilot without holding pilot knob.
- ↓
- **E.C.O.** passes millivolts through the gas control and back to thermocouple. Trips permanently open if water temperature exceeds 190°F.
- ↓

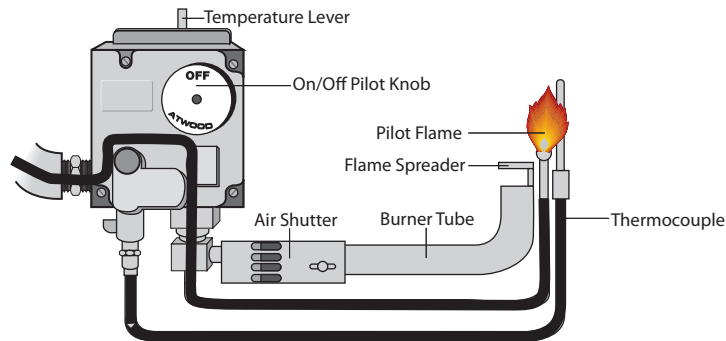
MAIN BURNER OPERATION

- **Gas Control** supplies gas to main burner when control knob is set to "ON" position and the temperature lever is set to desired temperature after pilot is lit.
- ↓
- **Main Burner Orifice** meters gas through burner tube.
- ↓
- **Main Burner** pilot ignites gas when it reaches end of this tube. Flame height adjusted by sliding air shutter. Ideal setting is 1/4 way open (.20"). Flame should be primarily blue with a trace of yellow.
- ↓
- **Temperature Knob** setting of knob determines burner cycle and water temperature. Temperature range is 70°F - 140°F.

Pilot and Main Burner

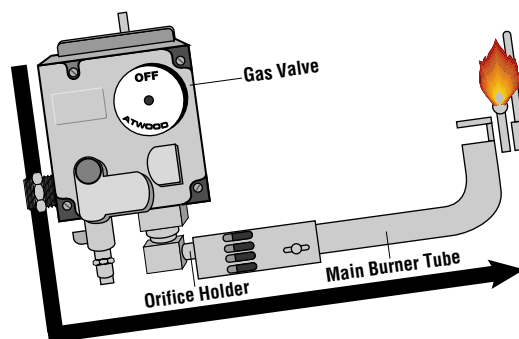
Pilot Adjustment

Only the gas pressure, gas valve and the pilot orifice regulate the height of the pilot flame. Early model gas controls have a pilot adjustment screw, but this screw has very little effect on the pilot. The pilot adjustment has been removed from the current White Rodgers control. The flame should be high enough to engulf the thermocouple at all times. A pilot flame any larger could blow the E.C.O. in the gas control. This is typically the result of enlarging the pilot orifice hole with a pin or similar item. For further corrective measures, refer to the trouble-shooting guide.



Main Burner Adjustment

The gas pressure, air shutter and cleanliness of the burner tube and orifice regulate the main burner flame. The main burner flame should be mainly blue with a trace of yellow and fairly quiet. If it is not, adjust the gas pressure to 11" W.C., ensure that the main burner air shutter is 1/4 way open and verify that the main burner flame spreader is square to the end of the main burner. For further corrective measures, refer to the trouble-shooting guide.



(orientation found in pilot water heater)

Main Burner Alignment

The manifold and main burner should be as perfectly aligned as possible. In other words, the gas valve should be rotated at the same angle as the main burner tube. If it is not, rotate the gas control and/or the orifice holder so that the orifice disperses gas straight down the center of the burner tube. If the valve must be backed off any, check for water leaks at the coupling the control screws into before you operate the water heater.



Atwood Mobile Products LLC
 1120 North Main Street • Elkhart, IN 46514
 PHONE: 574•264•2131 FAX: 574•262•2550
 INTERNET: <http://www.atwoodmobile.com>

Pilot Water Heater

TROUBLE SHOOTING GUIDE

Effective: 5/26/98

Guides are only intended for use on Atwood® products by service technicians who have successfully completed Atwood® training. This guide should be used in conjunction with the appropriate Instruction Manual provided with the product and any applicable Industry standards. This is not intended to be a complete list. Please direct questions concerning service of Atwood® products to 866-869-3118 before proceeding.

CAUSE	SOLUTION
--------------	-----------------

PILOT OUTAGE

- | | |
|--------------------------------|--|
| Gas pressure incorrect | Set pressure to a minimum of 11" W.C. with two or more appliances running |
| Blocked "U" tube | Remove obstruction |
| Improper main burner alignment | Re-align main burner and main burner orifice holder and gas valve |
| Improper air adjustment | Adjust main burner air shutter approximately 1/4 open |
| Weak thermocouple | Replace thermocouple |
| Poor pilot flame | Clean or replace pilot orifice |
| Weak gas control magnet | Replace gas control |
| Defective E.C.O. in control | Replace gas control and check the pilot flame. It should be high enough to engulf the thermocouple at all times. |

PILOT OUTAGE WHEN BUTTON OR KNOB IS RELEASED

- | | |
|-----------------------------|---|
| Thermocouple not hot | Hold button or knob for 30 seconds before releasing |
| Thermocouple loose | Tighten connection at gas control |
| Weak thermocouple | Replace thermocouple |
| Weak gas control magnet | Replace gas control |
| Defective E.C.O. in control | Replace gas control |

MAIN BURNER WILL NOT IGNITE

- | | |
|--|---|
| Blocked main burner orifice | Clean or replace orifice |
| Main burner flame spreader mis-alignment | Square flame spreader to end of main burner |
| Blocked main burner | Remove blockage |
| Improper air adjustment | Adjust main burner air shutter approximately 1/4 open |
| Blocked "U" tube | Remove blockage |
| Gas control out of calibration | Replace gas control |

ERRATIC MAIN BURNER FLAME

- | | |
|---|---|
| Improper gas pressure | Set inlet pressure to a minimum of 11" W.C. with two or more appliances running |
| Improper air adjustment | Adjust main burner air shutter approximately 1/4 open |
| Partial blockage of main burner | Remove blockage |
| Partial blockage of main burner orifice | Clean or replace orifice |
| Flame spreader misaligned | Re-align spreader or replace main burner |
| Blockage in "U" tube | Remove blockage |
| Poor gas supply | Replace gas supply |
| Exhaust grille blocked | Remove blockage |
| Improper main burner alignment | Re-align main burner, main burner orifice holder and gas valve |

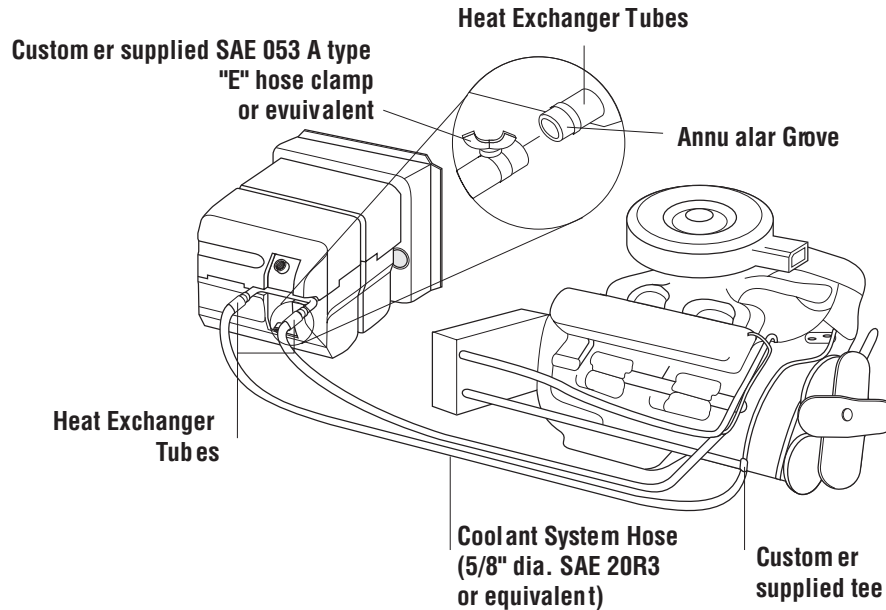
SMOKING AND SOOTING

- | | |
|--------------------------------|---|
| Gas pressure incorrect | Set pressure to a minimum of 11" W.C. with two or more appliances running |
| Poor gas supply | Replace gas supply |
| Improper pilot flame | Clean or replace pilot orifice |
| Improper air adjustment | Adjust main burner air shutter approximately 1/4 open |
| Flame spreader mis-aligned | Re-align or replace main burner |
| Blocked main burner | Remove blockage |
| Improper main burner alignment | Re-align main burner, main burner orifice holder and gas valve |
| Blocked "U" tube | Remove blockage |

INSUFFICIENT WATER TEMPERATURE

- | | |
|-------------------------------------|---|
| Temperature selector out of place | Re-set to desired position |
| Bypass levers improperly positioned | Reposition levers |
| Improper air adjustment | Adjust main burner air shutter approximately 1/4 way open |
| Partial main burner blockage | Remove blockage |
| Improper main burner adjustment | Re-align main burner and main burner orifice holder |
| Flame spreader mis-aligned | Re-align or replace main burner |
| Blocked "U" tube | Remove blockage |

Engine Heat Exchange System



The engine heat exchange system allows a motor home to heat the water while traveling. This convenient option allows you to arrive at your destination with hot water. Operating a pilot or electronic water heater on gas while in transit is a dangerous practice.

This system consists of a U-shaped aluminum tube that is attached to the outside of the tank with welds. SAE hoses are attached to both ends of this tube and are spliced into the engine coolant system.

When the engine is running, the hot coolant flows past the tank through this tube and by means of heat transfer through the welds, heating the water. The design of this system will not allow the water to reach a boiling point.

Aftermarket Heating Elements



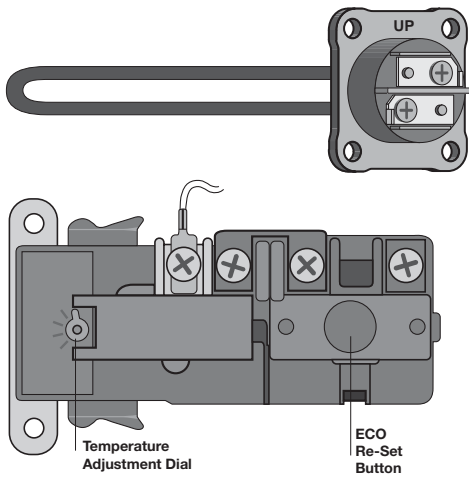
WARNING EXPLOSION / BURN INJURY

- Aftermarket heating elements can lack critical safety controls.
- Use of these devices can lead to an out of control heating of water tank and a catastrophic wet side explosion.

YOU DO NOT NEED AN AFTERMARKET HEATING ELEMENT ON AN ATWOOD WATER HEATER. THE USE OF AFTERMARKET HEATING ELEMENT DEVICES MAY ALSO RESULT IN DAMAGE TO COMPONENTS OR WATER HEATER. Atwood's written warranty states - "failure or damage resulting from any alteration to our water heater is the owner's responsibility". ANY ALTERATION, SUCH AS THE ADDITION OF AN AFTERMARKET HEATING ELEMENT DEVICE, WILL VOID THE WARRANTY.

- Temperatures produced by these heating elements can exceed the 190°F. limit of the ECO on pilot model gas control valves. This gas control valve contains a one-shot ECO. When this ECO blows, the control is completely non-functional and must be replaced. **THIS IS A NON-WARRANTABLE SITUATION.**
- When Aftermarket heating elements are inserted into the drain plug, customers are more prone not to flush their tanks. Not flushing the tank accelerates tank corrosion on both our pilot and electronic ignition water heaters creating a situation where the tank may have to be replaced. **THIS IS A NON-WARRANTABLE SITUATION.**

BOLT-IN Heating Element, Thermostat & ECO



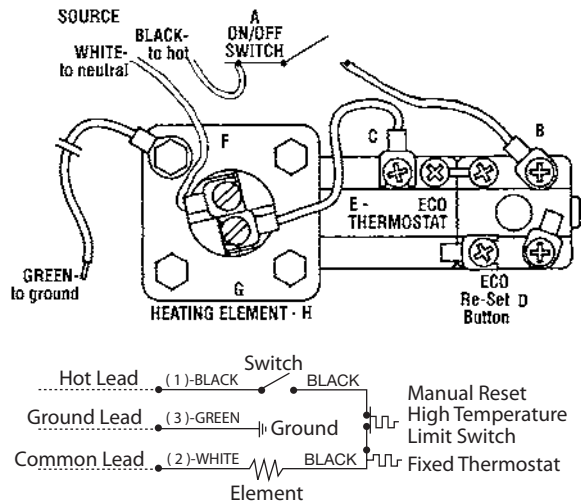
Early model water heaters with 110 VAC heating capacity used a bolt-on heating element and a one piece thermostat/E.C.O..

This 110 VAC system has an adjustable rectangular thermostat that is surface mounted to the inner tank and retained by a steel clip. The temperature settings are HI, MEDIUM, and LOW. If the thermostat is making unobstructed contact with the aluminum tank and it is set to the HI position, it should heat the water to 130° F. It will take longer to heat a tank of water on electric than gas.

The heating element was changed in 1996 from 1500W to 1400W bringing the amperage draw down to 12.7 amps and allowing more cushion for the 15 amp circuit breaker that is normally placed in line. This change adds a few minutes to the heating time.

There are 110 VAC aftermarket conversion kits being offered by distributors in which the heating element is screwed into the tank where the drain plug is located. We do not offer such a kit. Our kit includes the tank with the 110 VAC components already installed in it.

110VAC Trouble-Shooting Wiring Schematic



In the case where the 110VAC portion of the water heater is not heating water, the following diagnostic steps and repairs should be investigated:

Turn POWER OFF to the appliance before removing junction box cover.

Perform the following steps with POWER ON to water heater.

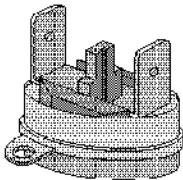
1. Verify switch-A is in ON position.
2. Insure there is 110VAC to the unit (measure voltage across the black and white lead to the appliance with POWER ON). If none, trace wiring back and make appropriate wire repair.

Perform the following steps with POWER OFF to water heater.

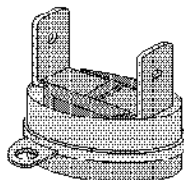
3. ECO Re-set Button-D should be depressed.
4. Check for continuity between screw-B and screw-C of thermostat. If none, replace thermostat.
5. If water is insufficiently hot, check ECO / Thermostat-E is on high.
6. Verify a good wire connection between thermostat screw-C and heating element screw-G. Correct if necessary.
7. There should be continuity between heating element screw-G and screw-F. If none, element is bad and should be replaced. Do not over-tighten self-tapping screws when installing new element.
8. Check for continuity between element screw-G and flange of element. If there is, element has shorted. Element should be replaced.
9. Verify ground connection.

NOTE: Heating element can be operated on an empty tank for a limited period of time before it self-destructs.

SCREW-IN Heating Element, Thermostat & ECO



ECO



THERMOSTAT

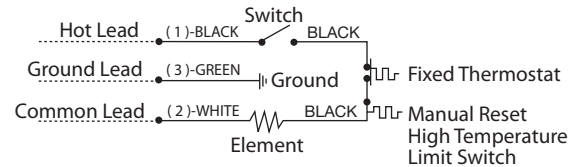
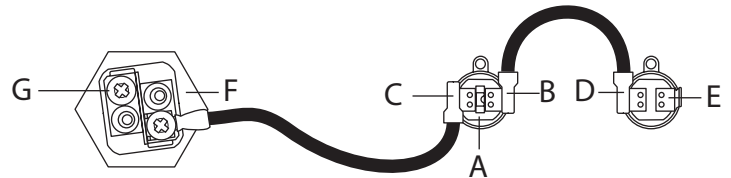
Current production water heaters with the 110 VAC heating option use a screw-in heating element, a separate pre-set thermostat and a separate ECO.

The screw-in heating element is rated at 1400 watts just like the bolt-on element. It is an incalloy element and can be run for a limited amount of time in a dry tank without shorting out.

CAUTION: If the heating element is allowed to run with a dry tank, allow the tank to cool down for 2-3 hours before adding water. Adding water before the tank cools sufficiently could collapse the tank.

The thermostat and ECO are pre-set surface-mounted discs. The thermostat is set at 140° F and is the same thermostat used on the gas side of the electronic ignition water heaters. The ECO is a backup thermostat and will trip if the thermostat fails and the water temperature exceeds 170° F.

110VAC Trouble-Shooting Wiring Schematic



When the 110VAC portion of the water heater is not heating water, the following diagnostic steps and repairs should be investigated:

Turn POWER OFF to the appliance before removing junction box cover.

Perform the following steps with POWER ON to water heater.

1. Verify switch is in ON position.
2. Insure there is 110VAC to the unit (measure voltage across the black and white lead to the appliance with POWER ON). If none, trace wiring back and make appropriate wire repair.

Perform the following steps with POWER OFF to water heater.

3. Manual reset ECO high limit switch-A should be depressed. Check for continuity between TERMINAL B and TERMINAL C of ECO.
4. Check for continuity between TERMINAL D and TERMINAL E of thermostat. If there is none, replace thermostat.
5. If water is insufficiently hot, insure thermostat is flush with tank.
6. Verify a good wire connection between ECO TERMINAL-C and heating element TERMINAL-F. Correct if necessary.
7. Check for continuity between heating element TERMINAL-F and TERMINAL-G. If none, element is bad and should be replaced. Do not over-tighten self-tapping screws when installing new element.
8. There should NOT BE CONTINUITY between element screw-G and flange of element. If there is, element has shorted. Element should be replaced.
9. Verify ground connection.

NOTE: Heating element can be operated on an empty tank for a limited period of time before it self destructs.

Electronic Ignition Models



QUESTIONS

The following questions should be answered during this portion of the manual:

- What is minimum gas pressure for proper water heater operation?
- Where on the gas solenoid valve can gas pressure be tested?
- What is the minimum voltage needed for operation?
- What is the proper wiring hook-up for the water heater circuitry?
- Can the Circuit Board Tester be used on both Fenwal and Channel circuit boards?
- How can the Circuit Board Tester be used to check a "flying lead" circuit board?
- What conditions can cause tracks on the back of the circuit board to blow?
- What is a proper main burner air shutter adjustment?
- What is the function of the thermal cut-off?

Atwood 6 and 10 Gallon Electronic Ignition Water Heaters

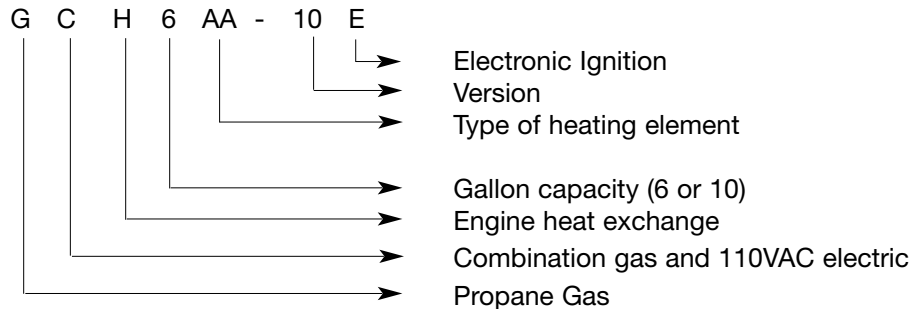
Atwood water heaters are designed and approved for use only in recreation vehicles (travel trailers, 5th wheels, motor homes, etc.). They are offered in two sizes: 6 and 10 gallon capacities.

TYPE OF GAS IGNITION -

This unit is ignited inside of the trailer by a remote ON/OFF switch. The water temperature is preset at 140° F.

EXPLANATION OF MODEL NUMBER:

Electronic Models

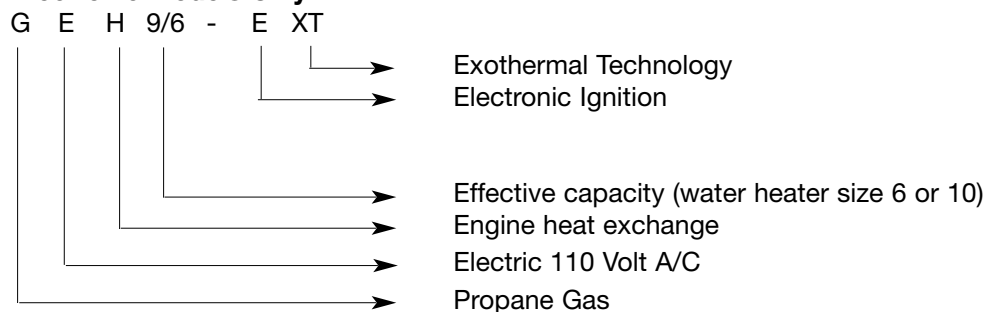


NOTE: When replacing the element on a combination gas/110 VAC unit, always check the back of the heater for the type of element it has. It will either be a bolt-on or screw-in element. They are not interchangeable.

FEATURES

- All units operate on propane gas.
- A pre-set thermostat set for 140° F. An aftermarket retro-fit adjustable thermostat is available and adjustable from 110° to 150° F.
- A heat exchange option is available. The water heater tank must have factory equipped heat exchange tubes welded on it already. They cannot be added later. A new water heater tank with this feature must be installed to use the heat exchanger.
- Skin mounting allows water heater to be hooked up with plumbing & electrical before the sidewall is erected.
- This heater has a comparable, if not superior, anode type protection for the tank. The tank is manufactured with a clad aluminum lining that protects against corrosion but does not need to be replaced yearly as an anode rod. A more detailed explanation of cladding is found in the back of this manual.
- 95% of all servicing is done on the outside of the water heater. 110 VAC heating components are the exception. Since they are located on the back of the water heater inside the trailer.
- A flush flange is available for all models. This makes the access door flush with the sidewall.
- The water heater has protection features that include a pressure-temperature relief valve and a limit switch in the gas thermostat (ECO).
- Both the six and ten gallon units have the lightest weight in the industry.
- The Atwood Limited Warranty is for a period of two years.
- There are over 1,000 Service Centers throughout the United States.

XT Electronic Models Only



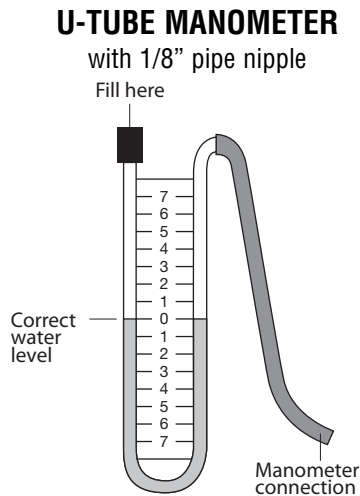
FEATURES

- Provides 50% more hot water without increasing the size or adding weight using a pre-set thermostat set for 155°F. used exclusively in the XT water heater.
- Pre-configured winterizing capability. The valve, hose, tee and thermostatically-controlled mixing valve, with a check valve and a cold water passage, allows you to isolate and drain the tank and pump antifreeze through the plumbing circuit.

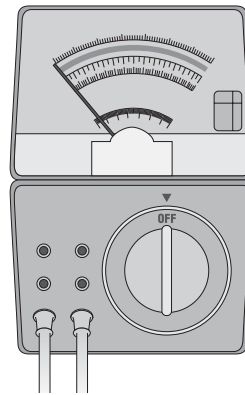
Recommended Tools and Equipment

U-Tube Manometer - This is the most accurate device for measuring gas pressure. If you use a dial-type manometer, calibrated it periodically.

Multi-meter - This is the most versatile meter and will test continuity and 12VDC. These tests will allow one to verify voltage problems or faulty components. The entire electronic system can be tested with this meter.

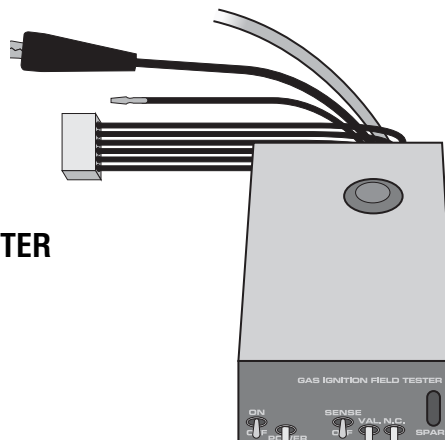


MULTI-METER TO TEST CONTINUITY & VOLTAGE



Circuit Board Tester - The tester is capable of testing any of the circuit boards (Fenwal and Channel models) that we have used on our water heaters. It is a simple table top device that will diagnose the following items on a circuit board: power circuit, sense circuit, spark generation and the lock-out mode. For use on circuit boards with a flying lead connection, splice a wire into the black wire of the tester harness with a 1/4" male terminal on the free end.

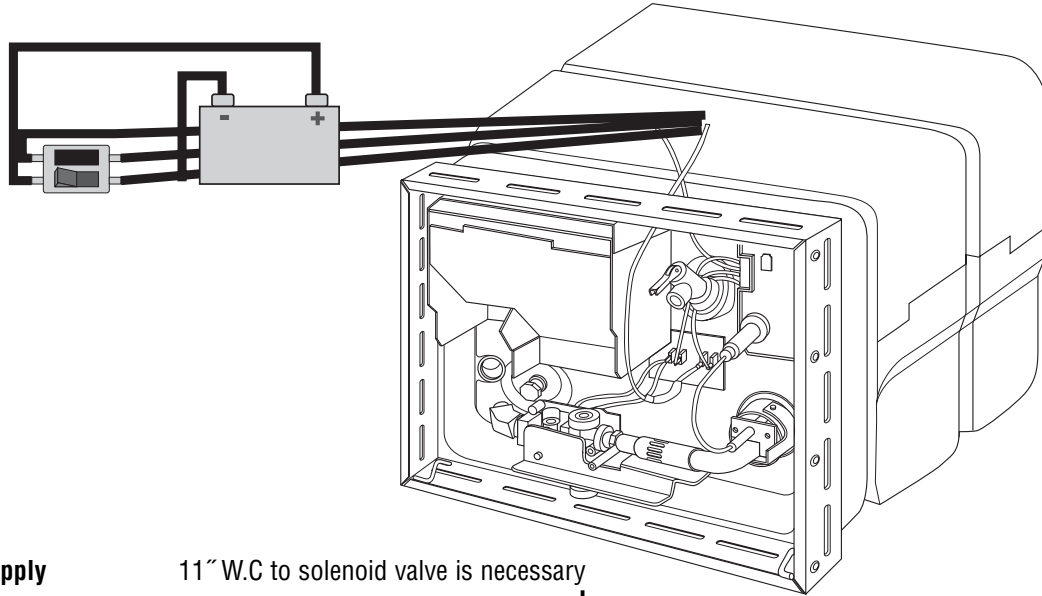
CIRCUIT BOARD TESTER P/N 32779



Common Hand Tools - 1/8" and 1/4" nut drivers, open end wrenches, flat blade and Phillips screw drivers.

Leak Test Solution - A solution that bubbles when applied to gas fittings or connections showing where a gas leak is present.

DSI Sequence of Operation



- **Gas Supply** 11" W.C to solenoid valve is necessary
↓
 - **12VDC Battery or filtered side of Converter** Voltage source to water heater
↓
 - **ON/OFF Switch** It supplies 12VDC to water heater
↓
 - **Thermal Cut-Off** A one shot heat sensing fuse that's normally closed and sends power to the thermostat. When tripped by excessive heat (190°F), (i.e. blocked burner or flue tube) it cuts power to the circuit board and shuts down ignition.
↓
 - **Thermostat** A normally closed non-adjustable temperature switch that sends current to the circuit board. It opens when the water temperature reaches approximately 140°F.
↓
 - **Circuit Board** The next step is the direct spark ignition system. For a period of 6-8 seconds the circuit board will send voltage to both the gas solenoid valve and the electrodes. The board is a 3 try for ignition. If ignition does not occur after three tries, the board goes into a lock-out condition and the non-ignition light illuminated at the ON/OFF switch.
↓
- **E.C.O.**
A normally closed safety temperature switch that sends voltage to solenoid valve. The switch opens if the water temperature exceeds 180°F.
↓
 - **Gas Valve**
The dual solenoid valve that opens and sends gas to electrodes when a minimum of 10.5 VDC is applied to it.

- **Electrodes**
Creates a spark to ignite gas. If the electrodes do not sense a flame in 6-8 seconds, a signal is sent to the board to shut the gas valve down and the system goes into safety lock-out.
NOTE: If this situation exists, the ON/OFF switch must be turned off and back on again.

Guides are only intended for use on Atwood[®] products by service technicians who have successfully completed Atwood[®] training. This guide should be used in conjunction with the appropriate Instruction Manual provided with the product and any applicable Industry standards. This is not intended to be a complete list. Please direct questions concerning service of Atwood[®] products to 866-869-3118 before proceeding.

CAUSE	SOLUTION
WATER HEATER LOCK OUT - SPARK PRESENT BUT NO GAS	
Gas pressure incorrect	Set inlet pressure at a minimum 11" W.C. with two or more gas appliances running
Low voltage	Correct power supply - 10.5 VDC minimum
Blocked main burner tube	Clean burner tube
Blocked main burner orifice	Clean or replace orifice
Loose wires on E.C.O.	Secure wire connections
Loose wire connections on solenoid valve	Secure wire connections
Loose valve wire on wiring harness	Repair wire on edge connector or replace wiring circuit board harness
Defective E.C.O.	Replace E.C.O.
Defective circuit board	Replace circuit board
Defective solenoid valve	Replace coils or solenoid valve
No gas to solenoid valve	Correct gas supply
Dirty connector on circuit board	Clean edge connector
WATER HEATER LOCK OUT - GAS PRESENT BUT NO SPARK	
High tension lead wire loose	Secure wire connection on circuit board
Electrodes loosely attached to main burner	Secure electrodes to main burner
Improper electrode gapping	Re-position spark gap to 1/8" and into path of flame
Dirty electrodes	Clean electrodes
Wires loose in electrode porcelain	Replace electrodes
Cracked porcelain on electrode	Replace electrodes
Defective circuit board	Replace circuit board
WATER HEATER LOCK OUT - GAS AND SPARK PRESENT	
Gas pressure incorrect	Set inlet pressure at a minimum 11" W.C. with two or more gas appliances running
Low voltage	Correct power supply - 10.5 VDC minimum
Poor electrical ground	Secure electrical ground
Electrodes out of flame pattern	Re-adjust electrodes
Electrodes sparking to screw fastening burner to flue tube	Adjust electrodes away from screw
Dirty electrodes	Clean electrodes
Partial obstruction in main burner	Clean main burner
Partially obstructed main burner orifice	Clean main burner orifice or replace
Improper air adjustment	Adjust main burner air shutter approximately 1/4 open
Flame spreader on main burner out of adjustment	Adjust flame spreader so that it is square to the end burner tube out of alignment of the main burner
Manifold not aligned with main burner	Re-align solenoid valve with main burner
Partially opening solenoid valve	Replace solenoid valve
Defective circuit board	Replace circuit board

continued

CAUSE	SOLUTION
EXCESSIVE OR INSUFFICIENT WATER TEMPERATURES	
By-pass kit valves not set properly	Place valves in proper position
Thermostat not seated against tank	Reseat thermostat
Defective thermostat	Replace thermostat
ERRATIC BURNER FLAME OR SOOTING	
Low gas pressure	Set inlet pressure at a minimum 11" W.C. with two or more gas appliances running
Poor gas supply	Replace gas supply
Improper air adjustment	Adjust main burner air shutter approximately 1/4 way open. Flame should be mainly blue and quiet.
Poor main burner alignment	Adjust valve and main burner alignment
Misaligned burner flame spreader	Align flame spreader so it is square with end of burner tube.
Blocked burner orifice	Clean orifice. DO NOT enlarge orifice
Obstructed main burner	Clean main burner
Obstructed "U" tube	Clean "U" tube
Obstructed exhaust grille	Remove obstruction
NO SPARK AND NO GAS	
No voltage	Correct power supply - minimum 10.5 VDC
Dirty edge connector on circuit board	Clean edge connector
Defective thermal cut-off	Replace thermal cut-off
Defective ON/OFF switch	Replace switch
Defective circuit board	Replace circuit board
Defective thermostat	Replace thermostat



Atwood Mobile Products LLC
 1120 North Main Street • Elkhart, IN 46514
 PHONE: 574•264•2131 FAX: 574•262•2550
 INTERNET: <http://www.atwoodmobile.com>

INTERMITTENT IGNITION

Electronic Ignition Water Heater

INFORMATION GUIDE

Effective: 8/21/00

Guides are only intended for use on Atwood® products by service technicians who have successfully completed Atwood® training. This guide should be used in conjunction with the appropriate Instruction Manual provided with the product and any applicable Industry Standards. This is not intended to be a complete list. Please direct questions concerning service of Atwood® products to 866-869-3118 before proceeding.

1. CHECK ALL OF THE WIRE CONNECTIONS.

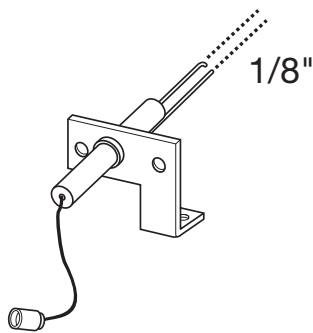
Poor or corroded wire connections cause most of the intermittent problems in water heaters. You should go through and pull all of the wires off any spade connections. Then reconnect them and ensure the connections are tight and corrosion free.

We want to point out two connections often overlooked.

First, check the (green) ground wire of the circuit board. This wire screws down under the circuit board mounting screw. If that screw for the board is loose, you may not have a secure ground.

Second, check the four wire edge connector going into the circuit board. Remove the circuit board. Take a pencil eraser and clean the marks off the connection of the circuit board. Reconnect the four wire edge connector onto the circuit board and then immediately remove it. Look at the edge connection of the board. You need to see four good scratches in the connection. If you do not see four scratches, then you will need to repair the edge connector or replace the wire harness.

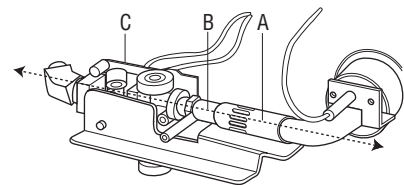
2. CHECK THE INTEGRITY AND POSITION OF THE SPARK PROBE ASSEMBLY.



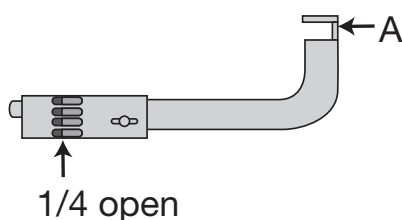
The gap between the sparking probe and the ground probe should be 1/8 inch. The probes should be clean and free of cracks, flaking and corrosion. Position the probes so that they are in the path of the gas flow. Cracks in the ceramic insulator can also be the source of an intermittent problem. To check for cracks insert a fiber washer or any other type of insulation material in the 1/8" gap between the rods. Remove the gas valve from the circuit and turn the unit on. If you see a spark jumping from the ceramic to the ground rod or bracket, replace the spark probe.

3. CHECK THE ALIGNMENT OF THE MAIN BURNER TO THE ORIFICE.

Position the main burner tube (A) so that the gas coming out of the orifice (B) is going straight down the middle of the burner tube. If the alignment is off, the gas will bounce down the tube which will alter the gas flow once it reaches the spark. Manually shift the valve (C) with your hands to achieve this alignment.



4. CHECK THE ALIGNMENT OF THE FLAME SPREADER ON THE BURNER TUBE.



At the end of the burner tube there is a dime-shaped deflector disk. This disk spreads the flame out for proper heat distribution. Align the flame spreader (A) so that it is parallel to the end of the tube and positioned in the center of the end of the tube. If the flame spreader is out of position, it could divert the gas away from the spark and cause intermittent ignition.

continued

5. CHECK THE AIR ADJUSTMENT.

The burner tube has an adjustable air shutter on it at the end where it goes over the orifice. Position the air shutter so that it is 1/4 of the way open. We are looking for a blue flame with small traces of yellow in the flame. If the flame is fairly quiet then it is adjusted correctly.

6. CHECK THE CLEANLINESS OF THE ORIFICE.

The orifice is the hex head brass fitting that is screwed onto the brass manifold of the valve. You will have access to this part once the burner has been removed. Remove the brass orifice and clean with isopropyl alcohol. **NEVER** enlarge the size of the orifice.

7. CHECK FOR OBSTRUCTIONS IN THE MAIN BURNER TUBE.

The cleanliness of this tube is very important. Spider webs, soot and other debris can accumulate, causing problems with gas flow down the tube. We recommend cleaning the burner tube with a brush and not compressed air. Compressed air may not fully remove the obstruction.

8. CHECK THE CLEANLINESS OF THE FLUE TUBE.

The flue tube is the 2-1/2 inch diameter tube that starts at the bottom right corner of the water heater (where the main burner flame enters) and comes out the top left. This tube can become blocked by debris like insect nests or soot. To clean remove the metal flue box in the top left corner of the water heater. To facilitate cleaning unfold a wire hanger, wrap a rag around the end and use this to swab out the tube.

9. CHECK THE VOLTAGE TO THE VALVE.

Make sure that the voltage to the gas solenoid valve is between 10.5 and 13.5 volts DC. Voltage drops can occur at almost any component. Turn on another twelve volt appliances when you check the voltage so that you can see how the converter is working with a load. The voltage itself can be intermittent. With linear converters the 12 VDC varies depending on the 115 VAC. If the 115 VAC is high then the 12 VDC will be high, and if the 115 VAC is low then the 12 VDC will be low. If the power to the water heater is connected to the unfiltered side of the converter, move it to the filtered side.

10. CHECK THE GAS PRESSURE OF THE RV.

Make sure the gas pressure of the RV is checked with preferably the furnace and the range on to simulate a load. The pressure should be 11 inch water column under load. Besides gas pressure being at the proper level there are other strange things that can happen inside gas lines that cause intermittent problems. We have seen oil build up in a gas line that meant there was good pressure to one appliance but not the correct pressure to another appliance. Moisture could also build up in the gas line that would freeze and partially block the line. Intermittent pressure from the regulator of the bottles is still another area that should be investigated.

11. INTERMITTENT CIRCUIT BOARD.

If you have gone through all of the above checks and the intermittent problem is still occurring, only then check the circuit board. Ensure the circuit board is clean and reasonably moisture free before you change it.

There are two major points that should have stood out to you from this list.

First, the majority of intermittent ignition problems on Atwood electronic ignition water heaters can be corrected by cleaning certain components or making simple adjustments.

Second, ignition problems can be found in other components than the circuit board. The circuit board is not the end all solution to ignition problems. This mindset developed a number of years ago with the introduction of the first circuit boards that were not very reliable. We've learned a lot since then. Technology has progressed making today's circuit boards very reliable. The circuit board can only do what the other components of the water heater allow it to do.

** POTTED CHANNEL CIRCUIT BOARDS

Atwood **potted circuit boards can be tested using a multi-meter. This test must be performed with the circuit board removed, and the meter set to the ohms scale. This will check the continuity of all tracks on the harness connection of the board.

The following steps should be used to test each track.

- A. Cross leads of meter to ensure it is registering continuity.
- B. **TO TEST POWER TRACK:**
Place negative lead of the multi-meter to ground (green wire) track of edge connection and positive lead of the multi-meter to top power (brown wire) track of edge connection. If no continuity, board is defective. *Atwood does not warranty this installation related failure.
- C. **TO TEST LAMP TRACK:**
Place negative lead of the multi-meter to ground (green wire) track of edge connection and positive lead of the multi-meter to lamp (blue wire) track of edge connection. If no continuity, this indicates blown lamp track. Circuit board will still fire unit but lamp light will not come on. This is caused by a short in the blue wire between the unit and the switch. Wiring must be corrected before the board is replaced. *Atwood does not warranty this installation related failure.
- D. **TO TEST VALVE TRACK:**
Place negative lead of the multi-meter to ground (green wire) track of edge connection and positive lead of the multi-meter to valve (red wire) track of edge connection. If no continuity, this indicates a blown valve track.
 - If the valve wire is shorting under the flue box – Atwood will warranty the board.
 - If the E.C.O. terminals are contacting the drawn pan – Atwood will warranty the board only if the inner tank of the water heater was installed flush on the floor of the coach.
 - If the inner tank of the water heater does not rest flush against the floor of the coach – *Atwood does not warranty this installation related failure.

* Installation related failures on circuit boards are the responsibility of the coach manufacturer.

** Non potted circuit boards can be checked by turning the board over and visually inspecting each track for a burn mark or break in the track itself. A burn mark or broken track indicates the board is blown. Depending on which track is blown determines whether it is covered under Atwood's warranty as stated in section B, C and D.

THERMAL CUT-OFF DEVICE

Current Atwood direct ignition water heaters are equipped with a thermal cut-off device. This device is located on the incoming power wire and is connected to the thermostat. The thermal cut-off is designed to permanently break circuit and shut down the water heater before excessive heat can cause damage due to obstructions in the main burner tube or flue tube caused by spiders or mud wasps. These obstructions can cause the main burner flame to burn outside the main burner tube. When the flame or the heat from the flame contacts the thermal cut-off, the circuit will open.

If there is **no heat damage** to the thermal cut-off, and if it is determined defective, Atwood will cover the replacement of this device under warranty. We will allow .25 hour at your Atwood approved warranty rate. If there **is heat damage** the device performed its safety feature and no warranty labor will be allowed. Any obstructions should be removed, alignment checked and gas pressure taken before a new thermal cut-off is installed.

Note: When replacing a thermal cut-off, also examine the grill in the access door while the door is in the closed position. The wide aluminum band of the grill should be at the bottom. If it is at the top, this condition may trap exhaust heat and possibly also cause thermal cut-off to trip. To correct, remove the grill from the door and snap back in place with the wide aluminum band at the bottom.

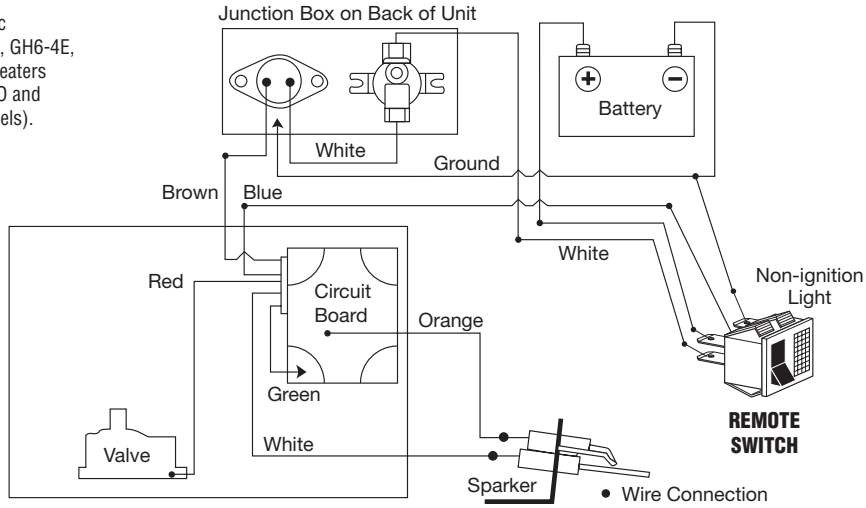
THERMOSTAT

The thermostat on this water heater is pre-set at 140° F. The water heater will cycle off when the water temperature reaches 140° F. and will generally take 20-25 minutes to reach this temperature. It will cycle back on when the water temperature cools down to approximately 115° F. In the latter part of the heating cycle though, it is very common for the pressure-temperature relief valve to weep. Refer to the page covering weeping relief valves to remedy this situation.

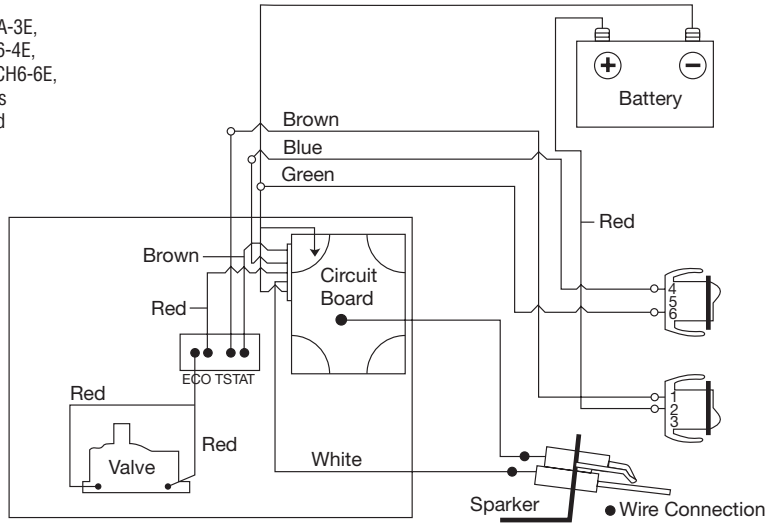
If a customer is dissatisfied with the temperature of the water, first check the water temperature with a cooking thermometer and verifying that the initial cycle is within the time noted above. If not, an adjustable thermostat may be purchased allowing the water temperatures to be adjusted from 110 - 150° F. It fits in place of the original thermostat.

Water Heater Wiring Schematics

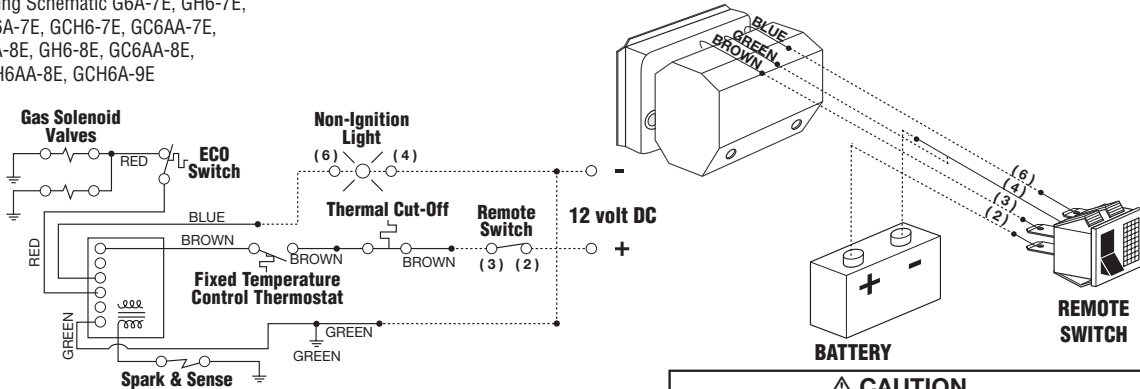
Wiring Schematic
G6A-2E, G6A-3E, GH6-4E,
GH6-3E Water Heaters
(Rear Mount ECO and
Thermostat Models).



Wiring Schematic G6A-3E,
G6A-4E, GH6-3E, GH6-4E,
GCH6-4E, G6A-6E, GCH6-6E,
GH6-6E Water Heaters
(Front Mount ECO and
Thermostat Models).



Wiring Schematic G6A-7E, GH6-7E,
GC6A-7E, GCH6-7E, GC6AA-7E,
G6A-8E, GH6-8E, GC6AA-8E,
GCH6AA-8E, GCH6A-9E



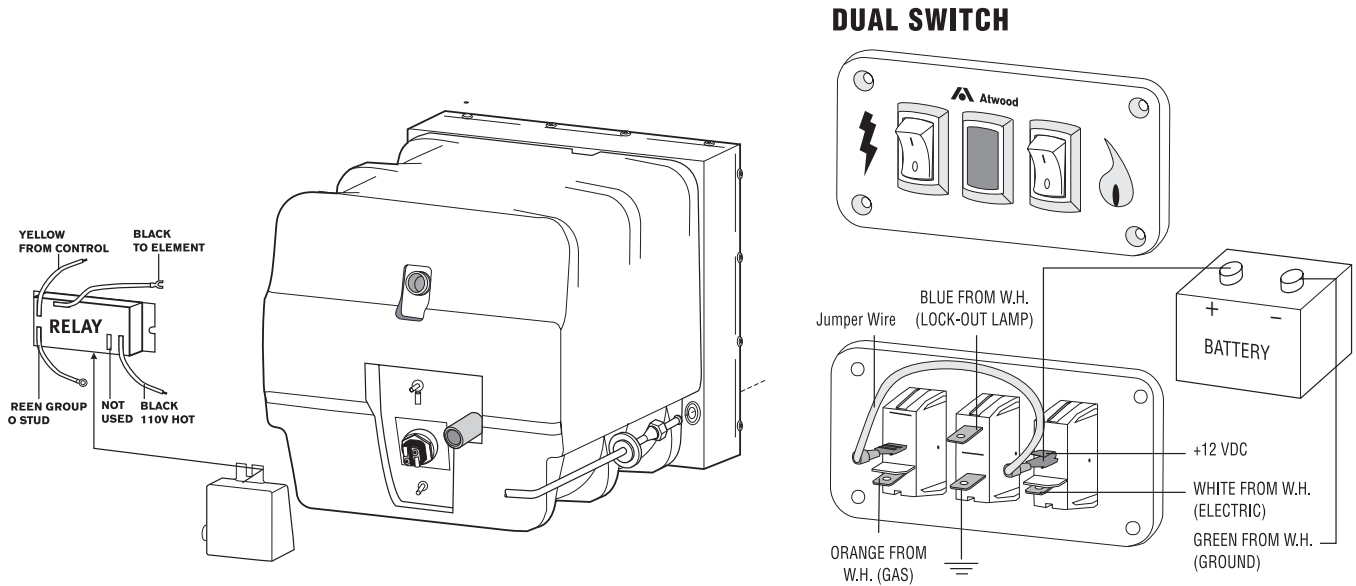
Dotted lines are wired by customer

CAUTION
When servicing controls, label all wires prior to disconnection.
Wiring errors can cause personal injury or property damage.
Verify proper operation after servicing.

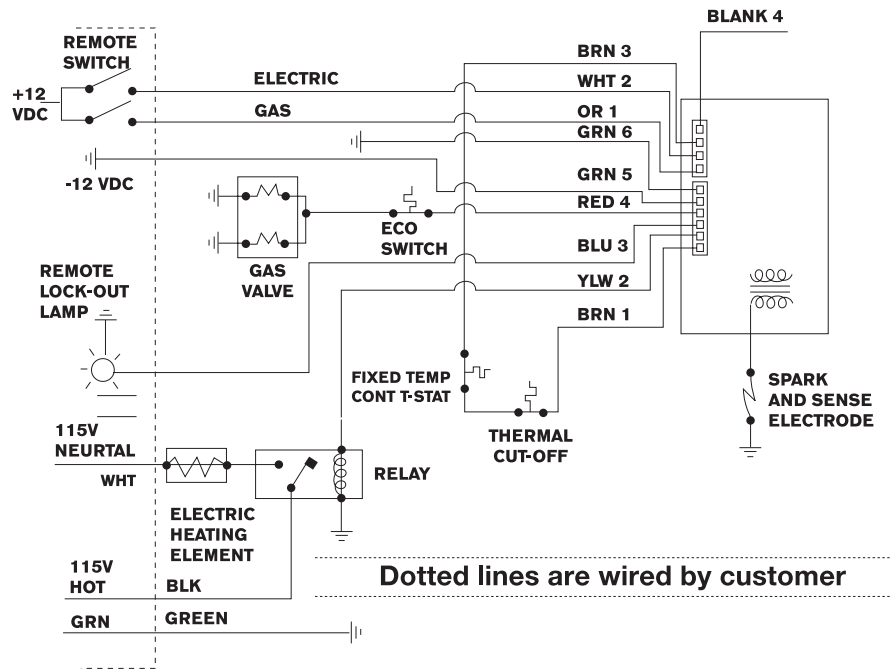
GC 10A-4E & GC 6A-10E Wiring

In 2003, Atwood created a new gas-electric water heater. These units improve serviceability by moving most of the components for the electric portion of the water heater to the outside except the element and relay, which remain in a junction box in the rear. One module board controls both gas and electric.

When replacing a 3E or 9E to a 4E or 10E some wiring changes are necessary. See the INFORMATION NOTICE that follows.



WIRING DIAGRAM COMBINATION GAS/ELECTRIC





Atwood Mobile Products LLC
 1120 North Main Street • Elkhart, IN 46514
 PHONE: 574•264•2131 FAX: 574•262•2550
 INTERNET: <http://www.atwoodmobile.com>

INFORMATION NOTICE

Atwood Water Heater Conversion

GC10A-3E to GC10A-4E
GC6A-9E to GC6A-10E

ENGLISH,

• Switch Conversion Instructions

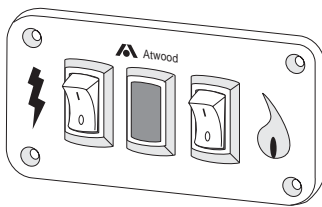
Effective 1/16/07

The gas/electric water heater (Models 4-E & 10-E) replaced all previous combination gas/electric water heaters. Models 3-E & 9-E and before operate on DC for the gas side and AC for the electric side.

These older models operate with two separate switches, one DC and one AC. The gas switch has DC voltage coming into the switch and from the switch to the water heater. There is a separate switch used for the electric portion of the water heater. This switch will have AC power coming into the switch and AC going out of the switch to the electric part of the water heater.

The 3-E and 9-E's are no longer available, if an entire water heater must be replaced it will be replaced with the new 4-E or 10-E. **There are no changes in the physical dimensions, but a wiring change will be required.**

With the new water heater you will receive a new 12 volt control switch for both gas and electric.



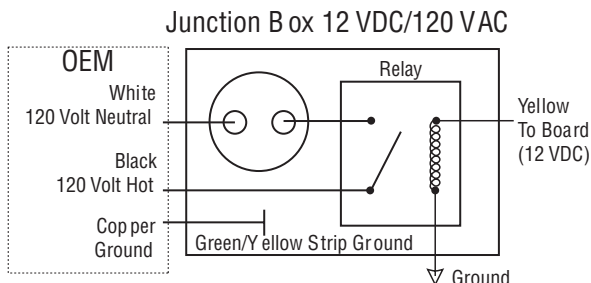
The separate gas and electric switches will be replaced by this (one) combo switch on current production.

⚠ CAUTION
PRODUCT DAMAGE

• Extreme care should be taken with all electrical wiring and professional services retained if necessary.

WIRING THE REAR OF THE WATER HEATER

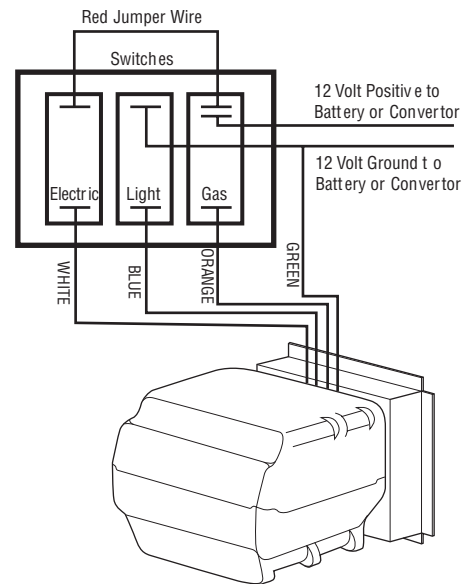
The only AC required will be in the rear of the water heater at the relay and the element. See wiring below.



The electric switch and all other AC wiring, with the exception of the power into the back of the water heater, must be eliminated.

WIRING OF NEW COMBO SWITCH

The new combo switch will be wired, using the picture below.



LOCATION OF COMBO SWITCH

Find the most convenient location for the new switch. It should be close to the DC voltage source that will control the switch. This may be where the AC switch was originally located. Remember that you will have to connect DC positive and negative into this switch. There will also be four wires from the water heater that must attach to the switch.

If your original system was controlled through a central monitor panel, and you prefer to use this system, you will have to contact the manufacture of the unit for monitor panel wiring instructions.

Location and phone numbers of qualified Service Centers can be found at our website <http://www.atwoodmobile.com> or call 866-869-3118 to have a Service Center List mailed.

Sequence of Operation GC10A-4E & GC6A-10E

Power In When the wall switch is turned on to either gas, electric or both the power moves from the wall switch to the DSI board through the Molex connector.

1. Gas - When the wall switch (flame) is turned on for gas operation, the orange wire (OR 1) is energized with DC voltage.
2. Electric - When the switch (lightning bolt) is turned on for electric operation the white wire (WHT 2) is energized with DC voltage.

The power moves from the internal board circuits to the brown wire at the (BRN 3) connection.

From this point the power for gas, electric or both moves through the thermostat, thermal cut off and enters the board again at the lower (BRN 1) connection. This completes the circuit to the lower connection on the board.

When the switch for GAS ignition is turned on -

1. Power is sent to the coil on the board. The coil creates a spark for ignition.
2. Power is sent to (RED 4) connection. From this point, power flows through red wire, through the ECO and to the gas valve.

When the switch for ELECTRIC is turned on -

1. Power is sent from the board to the yellow wire (YLW 2). The yellow wire carries DC voltage to the relay in the back of the water heater. The 12 volt energizes the relay which sends the 110 V to the element.

Quick Diagnostic GC10A-4E & GC6A-10E

Following the sequence of operation:

No power to board through the orange or white wire.

- Test for power into wall switch. If no power, check wiring, fuse, breaker, etc.
- If switch has power but does not work, check to see if switch is wired correctly. If switch is wired correctly, replace switch.

No power out of board at BRN 3.

- Confirm power entering the board at orange (OR1), white (WHT 2) or both with the switch on.
- Check molex connector for proper connection.
- Bad board (replace).

No power at brown (BRN 1), when calling for gas or electric operation.

- Check thermostat for voltage or continuity. Replace if necessary.
- Check thermal cutoff for voltage or continuity. Replace if necessary.
- Confirm molex connector is making contact.

No power through red wire from RED 4.

- Confirm power coming in at brown (BRN 1).
- Confirm molex connector is making contact.
- Bad board (replace).

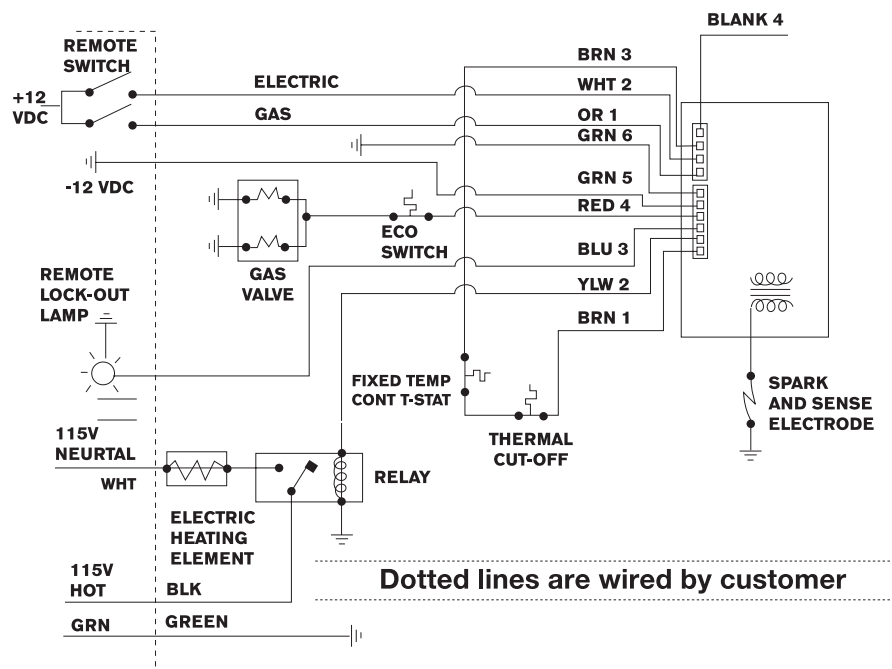
No power through yellow wire (YLW 2) to relay. Electric operation only.

- Confirm continuity from red (RED 4) at Molex connector to Valve Ground. If the ECO or Valve coils are open then the board will not send power to the yellow wire (YLW 2).
- Confirm power coming in the brown wire (BRN 1).
- Confirm molex connector is making contact.
- Bad board (replace).

No power through relay (electric).

- Confirm AC present.
- Confirm DC through yellow wire (YLW 2).
- Check AC into element. No power, replace relay.
- Power into element from relay (no heat), replace element.

WIRING DIAGRAM COMBINATION GAS/ELECTRIC



General Information

QUESTIONS

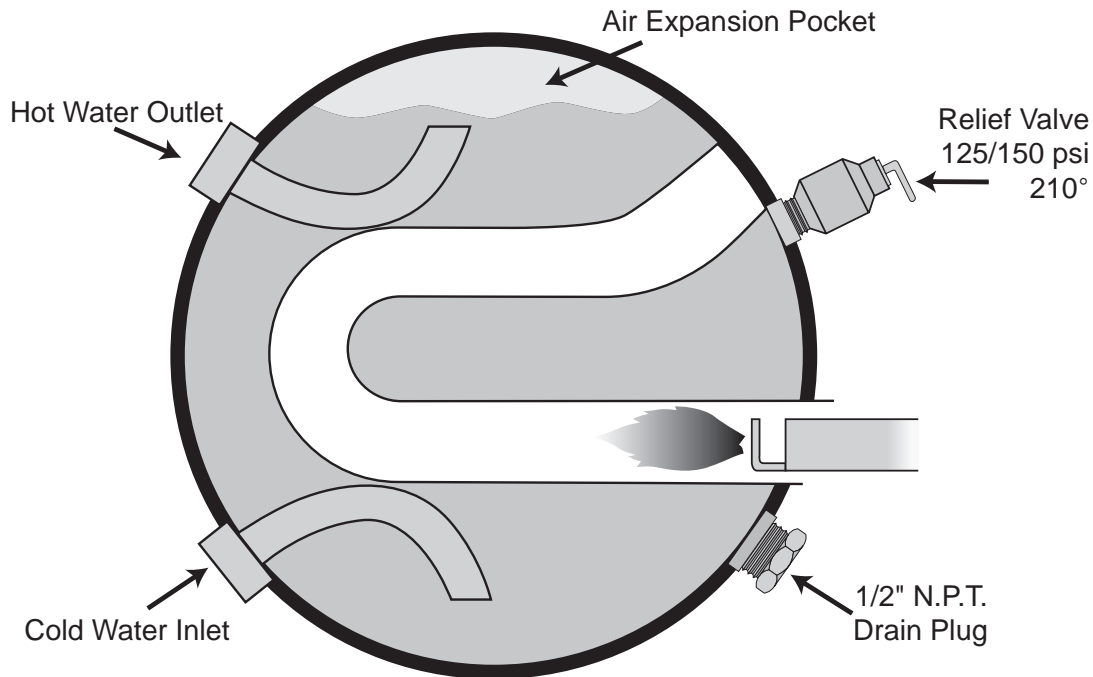
The following questions should be answered during this portion of the manual:

- What causes the pressure-temperature relief valve to weep when unit is in heating cycle?
- How can weeping pressure-temperature relief valves be reduced or eliminated?
- What are the proper draining procedures to help reduce lime deposits and extend tank life?
- Will a tank split for any other reason besides freezing?
- What functions do the retaining rings serve when replacing an inner tank?
- What are the most common ways to winterize a tank?

PRESSURE-TEMPERATURE RELIEF VALVE

Weeping or dripping of a pressure-temperature relief valve while the water heater is running DOES NOT mean it is defective. This is normal expansion of water as it is heated in the closed water system of a recreation vehicle. The Atwood water heater tank is designed with an internal air gap at the top of the tank to reduce the possibility of weeping and dripping. In time, the expanding water will absorb this air. To replace the air follow these steps:

- Step 1:** Turn off water heater
- Step 2:** Turn off incoming water supply
- Step 3:** Open the closest hot water faucet in the coach
- Step 4:** Pull handle of pressure-temperature relief valve straight out and allow water to flow until it stops.
- Step 5:** Allow pressure-temperature relief valve to snap shut, turn on water supply and close faucet.



WATER HEATER TANK CORROSION

Pinhole leaks from galvanic corrosion may cause the water heater tank to fail.

Microscopic particles of metals (like iron and copper) suspended in water, set up a reaction inside the water heater that is not unlike the principle on which an automotive battery operates. The aluminum tank is the anode and the metals in the water serve as the cathode. Consequently, the aluminum gradually sacrifices itself and aluminum particles are carried away with the water flow.

A white scaly material (aluminum oxide) often is formed around the points where the heaviest action is taking place and heat accelerates the process. Severity of the problem varies considerably in different locales depending on the metal and mineral content of the water. White deposits inside the water heater tank are usually from water impurities that have settled out.

Periodic flushing of the water heater tank under pressure is recommended to slow down this process. For flushing instructions see your owners manual or contact Atwood for a copy of our recommended procedure.

ATWOOD CLAD TANK

The Atwood water heater tank is constructed of a core of high strength aluminum. The interior of the tank consists of a 15% thickness of type 7072 aluminum (pure aluminum and zinc) that is fused to the core during the rolling process. This material protects the tank from the affects of heavy metals and salts found in waters throughout the country. It is anodic to these heavy metals and acts much like an anode in a steel glass lined tank except it will last much longer. There is also no need to replace an anode on a yearly basis.

Flushing the tank on a regular basis has been found to be helpful in insuring the best performance of your water hater and adding to the useful life of the tank. For flushing instructions see your owners manual or contact Atwood for a copy of our recommended procedures.

FLUSHING TO REMOVE UNPLEASANT ODOR

A rotten egg odor (hydrogen sulfide) may be produced when the electro galvanic action of the cladding material releases hydrogen from the water. If sulfur is present in the water supply the two will combine and produce an unpleasant smell.

1. Turn off main water supply. Drain the water heater tank and reinstall drain plug. Remove the pressure-temperature relief valve. Mix solution of 4 parts white vinegar to two parts water. (For a 10 gallon tank, use 6 gallons vinegar to 3 gallons water). With a funnel, carefully pour solution into tank.
2. Cycle water heater with the above solution, letting it run under normal operation 4-5 times.
3. Remove the drain plug and thoroughly drain all water from the tank. Flush the water heater to remove any sediment. You may flush the tank with air pressure or fresh water. Pressure may be applied through either the inlet or outlet valve on the rear of the tank or through the pressure-temperature relief valve coupling located on the front of the unit.

TO FLUSH TANK WITH AIR PRESSURE:

Insert your air pressure through the pressure-temperature relief valve coupling. With the drain valve open, the air pressure will force the remaining water out of the unit.

TO FLUSH TANK WITH WATER PRESSURE:

Fresh water should be pumped into the tank with either the onboard pump or external water pressure. Continue this flushing process for approximately five minutes, allowing the fresh water to agitate the stagnant water on the bottom of the tank and forcing the deposits through the drain opening.

4. Replace drain plug and pressure-temperature relief valve.
5. Refill tank with fresh water that contains no sulphur.

The Atwood water heater is designed for use in a recreation vehicle. If you use your vehicle frequently or for long periods of time, flushing the water heater several times a year will prolong the life of the storage tank.

WINTERIZING (FLUSHING) INSTRUCTIONS

To insure the best performance of your water heater and add to the life of the tank, periodically drain and flush the water heater tank. Before long term storage or freezing weather drain and flush the tank.

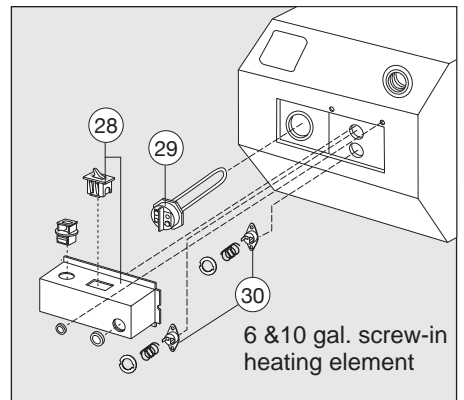
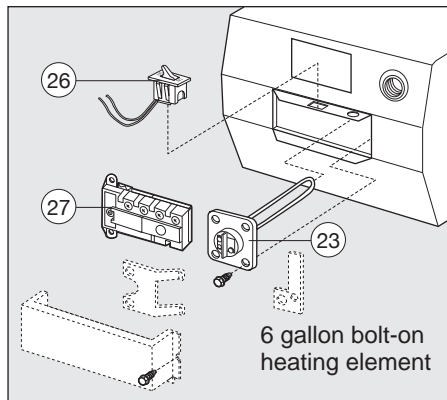
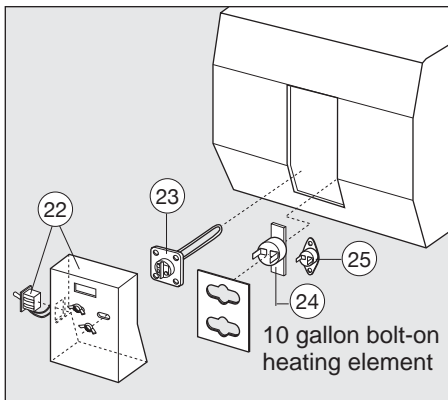
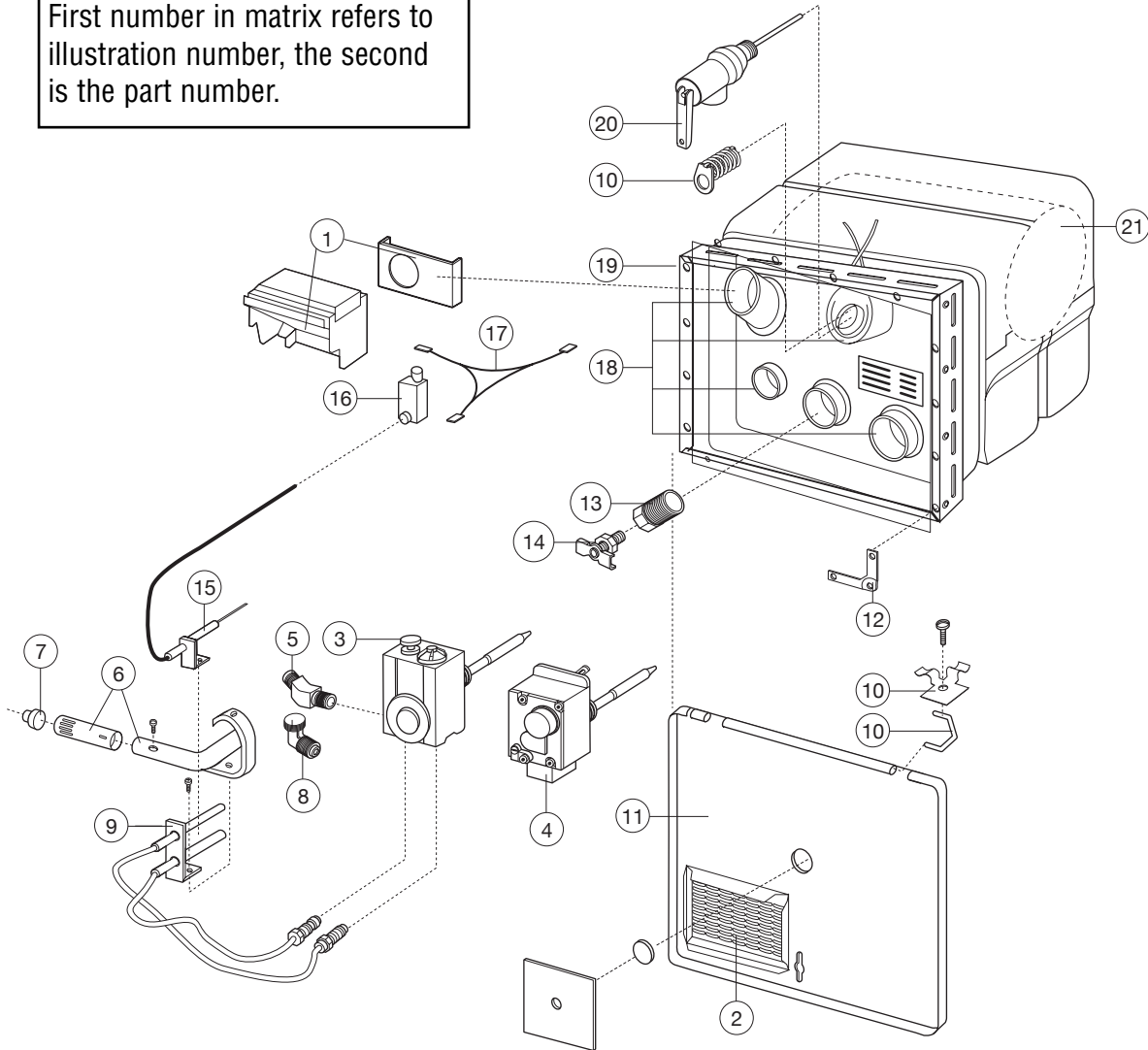
1. Turn off main water supply (the pump or water supply hook up source).
2. Drain water heater tank by removing the drain plug. If the water flows sporadically or trickles instead of a steady stream of water, we recommend the following action; first open the pressure temperature relief valve to allow air into the tank and secondly, take a small gauge wire or coat hanger and poke through the drain opening to eliminate any obstructions.
3. After draining the tank, because of the placement of the drain plug, approximately two quarts of water will remain in the tank. This water contains most of the harmful corrosive particles. To remove these harmful corrosive particles flush the tank with either air or water. Whether using air or water pressure, it may be applied through the inlet or outlet on the rear of the tank or the pressure temperature relief valve. (If using the pressure temperature relief valve the support flange must be removed). The pressure will force out the remaining water and the corrosive particles.
If you use water pressure, pump fresh water into the tank with the assistance of the on-board pump or use external water for 90 seconds to allow the fresh water to agitate the stagnant water on the bottom of the tank and force deposits through the drain opening. Continue repeating adding water and draining until the particles have been cleared from the water remaining in the tank.
4. Replace the drain plug and close the pressure temperature relief valve. The approximately two quarts of water remaining in the tank after draining will not cause damage to the tank should freezing occur.

Water Heater Terminology

Terminology	Definition	Terminology	Definition
Access Door	hinged cover on outside of water heater	Main Burner	a gas and air mixing tube
By Pass Kit	a combination of hoses and valves that can aid in the winterization of the water heater	Main Burner Air Shutter	the slotted sleeve on tube that allows for gas and air adjustment
CSA	Canadian Standards Association	Main Burner Orifice	a precision drilled fitting that regulates the BTU's of combustion
Calibration	the condition determining whether the thermostat is registering temperatures properly	Mixing Valve	mixes hot and cold water to a fixed temperature 130°F.
Cam-Loc Fastener	a door securing device	N.P.T. (Nat'l Pipe Thread)	a plumbing measurement standard
Circuit Board	an electronic panel that controls the spark, solenoid valve and senses the main burner flame	Pilot Assembly	A gas tube, orifice & thermocouple
Drawn Pan	metal pan attached to the water heater tank and fastened to coach sidewall to isolate combustion to outside of coach	Pilot Orifice	a precision drilled thimble shaped component that meters gas flow to pilot.
DSI	direct spark ignition a.k.a. electronic ignition	Pilot Relight Ignition Module	12 volt electronic panel that provides spark ignition and flame sense to maintain pilot flame
E.C.O. (energy cut off)	high temperature re-set shut off device	Pressure-Temperature Relief Valve	a pressure and temperature safety device used on water heating vessels.
Electrolysis	electro chemical corrosive process that can cause pinholes in tanks	Ring and Gasket	retaining fiber & metal rings that secure combustion pan to tank
Fenwal Tester	a diagnostic circuit board analyzer	Sight Glass	burner flame viewing port on access door
Flame Spreader	a round deflective piece found at the combustion end of main burner.	Spark Probe Assembly	a spark electrode & flame sensing
Flue Box	a chamber that separates air intake and exhaust	Thermal Cut-Off	heat sensing diode that cuts power to circuit board if a flame backs out of the burner tube or flue tube normally caused by an obstruction in these areas
Flue Tube	combustion and water heating surface area on inside of tank	Thermostat (gas)	a temperature sensitive device for turning on and off the flow of gas (T-stat)
Flying Lead	flame sensing wire that is sometimes found hard wired to circuit board	Thermostat (120 volt AC)	a surface mount temperature sensitive device that turns on/off heating element
Front of Water Heater	access door side of water heater	Thermostat (12 Volt DC)	a surface mount temperature sensitive device that turns on/off the voltage to the circuit board
Gas Solenoid Valve	a 12 volt DC device that turns on or off the flow of gas	Thermocouple	a device, when heated, generates millivolts of electricity
Immersion Element	an AC electrical heating coil that is immersed directly into water	UL	Underwriters Laboratories
Inverted Flare	type of connection using double flare fitting and tube nut	"U" Tube	also referred to as a flue tube on some water heater models
Inner Tank	patented, designed vessel for heating water	Winterization	process of preparing a water heater for cold winter storage

Pilot Water Heater 6-10 Gallon

First number in matrix refers to illustration number, the second is the part number.



Pilot Water Heaters

REPLACEMENT PART REFERENCE January 2007

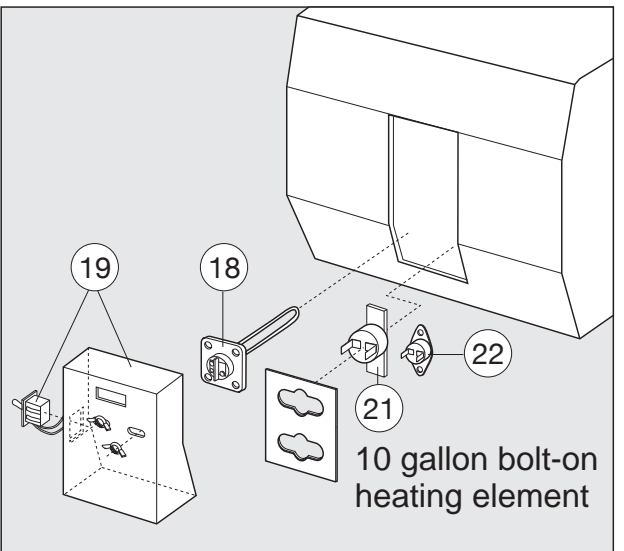
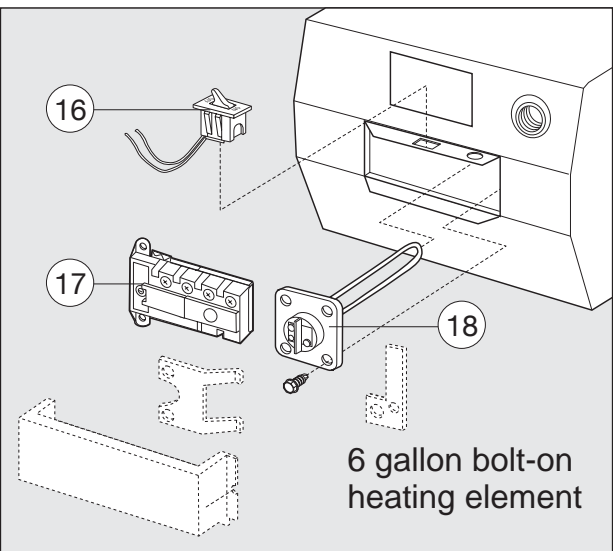
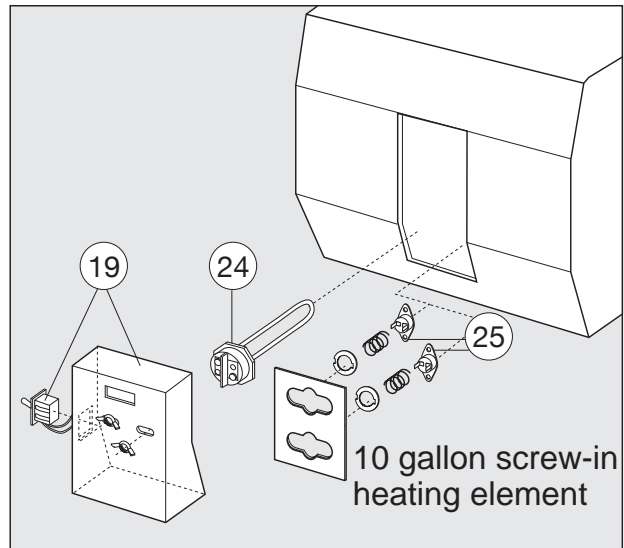
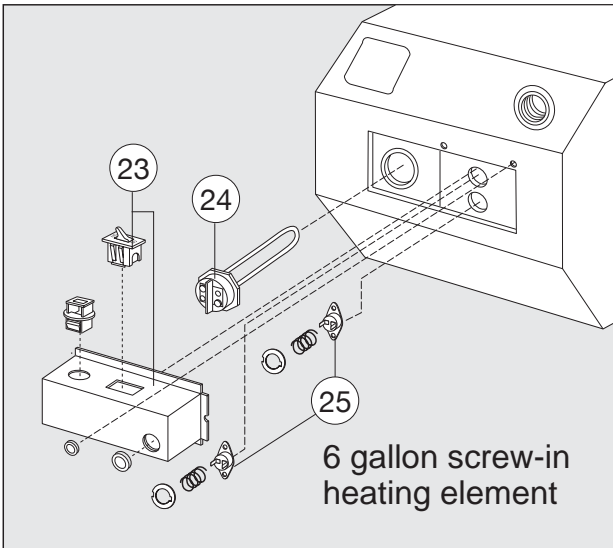
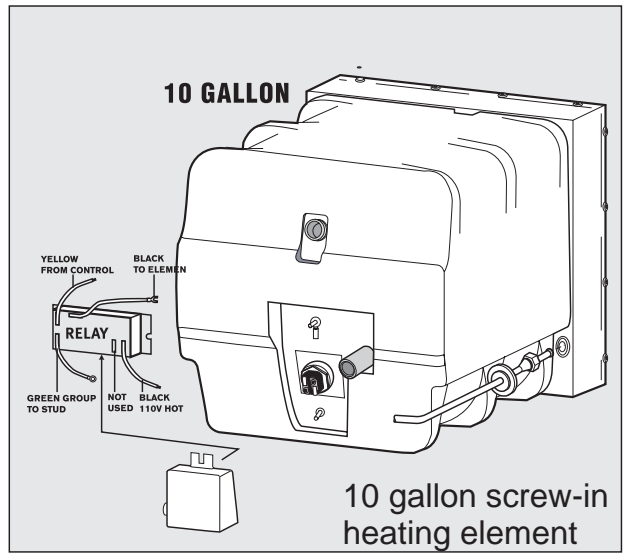
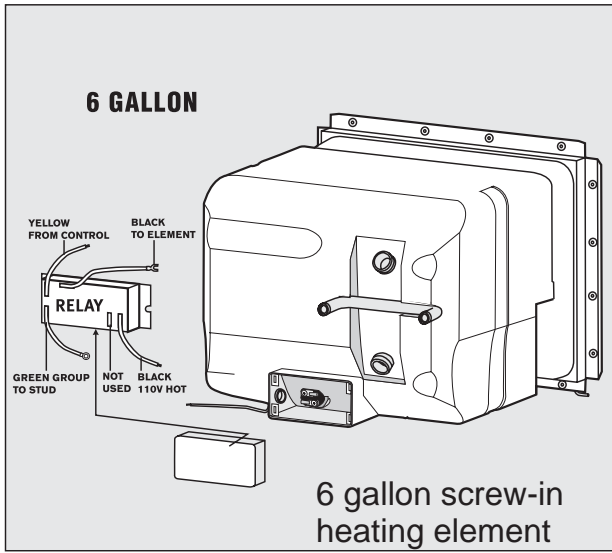
			GC6A, GC6A-3, GC6A-6, GC6A-7	G6A, G6A-2, G6A-3, G6A-6, G6A-6P, G6A-7, G6A-7P	GH6-3, GH6-6, GH6-7	GC6AA-7, GC6AA-7P	GC6AA-8, GC6AA-8P	G610-3, G610-3E, GH610-3	G10B, G10C	GC10A-2	GC10A-2P	GC10-1, GC10-2, GC10-2P	G10-2, G10-2P	G4SM
N/S	93212	Pilot Relight Kit - battery operated Retrofits on all pilot model water heaters												
N/S	92973	Inverted Flare Adapter)	X	X				X						
N/S	92610	Gas Line Grommet	X	X	X	X	X	X	X	X	X	X	X	X
N/S	91285	Jade Orifice fits 91603 Pilot	X	X	X	X	X			X	X	X	X	
1	90960	Flue Box & Gasket	X	X	X	X	X	X	X	X	X	X	X	X
2	92640	Grille, New Style in Door	X	X	X	X	X	X		X	X	X	X	X
3	91602	Robertshaw Thermostat (WSL) (3/8" NPT inlet, 3/8" NPT outlet)	X	X	X	X	X	X	X	X	X	X	X	X
4	91601	White Rodger thermostat (1/4" NPT inlet, 3/8" NPT outlet)	X	X	X	X	X	X	X	X	X	X	X	X
5	91044	45° Elbow 3/8" x 3/8" - OLD						X	X					X
	91347	Elbow - 1/4" x 3/8" inlet - NEW	X	X	X	X	X							X
6	92615	Main Burner 6 Gallon	X	X	X	X	X		X					
	93221	Main Burner 10 Gallon								X	X	X	X	
7	92742	Main Burner Orifice (6 Gal.)	X	X	X	X	X							
	93914	Main Burner Orifice (10 Gal.)							X	X	X			
8	91441	90° Elbow 3/8" x 3/8"								X	X	X	X	
	92741	Main Burner Orifice Elbow -outlet	X	X	X	X	X							X
9	91603	Jade Pilot	X	X	X	X	X	X	X	X	X	X	X	X
10	91858	Door Hardware Kit	X	X	X	X	X	X		X	X	X	X	X
11	91514	Access Door (6 Gallon) Colonial White	X	X	X	X	X	X						X
	93993	Access Door (10 Gal.)								X	X	X	X	
12	91928	Set of 4 Corner Brackets	X	X	X	X	X	X	X	X	X	X	X	X
13	91857	Drain Plug 1/2"												
14	92698	Petcock Drain Valve 1/8" (WSL)												
15	93804	Piezo Electrode - hard-wired		X		X	X				X	X	X	
16	93801	Ignition Module - hard-wired		X			X						X	
17	93803	Piezo Wiring Harness - hard-wired		X			X						X	
18	96010	Ring & Gasket Kit for service tank	X	X	X	X	X							X
19	91796	Drawn Pan 6 Gallon Pilot	X	X	X	X	X							X
	93935	Drawn Pan 10 Gallon Pilot								X	X	X	X	
20	91604	Pressure Temperature Relief Valve 1/2"	X	X	X	X	X	X	X	X	X	X	X	X
20	90028	Pressure Temperature Relief Valve 3/4"		X			X							
21	92220	Styrofoam tank cover - bottom 6 gal	X	X	X	X	X							X
	92221	Styrofoam tank cover - top 6 gal	X	X	X	X	X							X
21	91238	Styrofoam tank cover - bottom 10 gal						X	X	X	X	X	X	
	91239	Styrofoam tank cover - top 10 gal						X	X	X	X	X	X	
22	91182	110VAC On/Off Switch & Jct Box (10 Gal.)									X			
23	91580	110 VAC Element (Bolt-on)	X									X		

Pilot Water Heaters

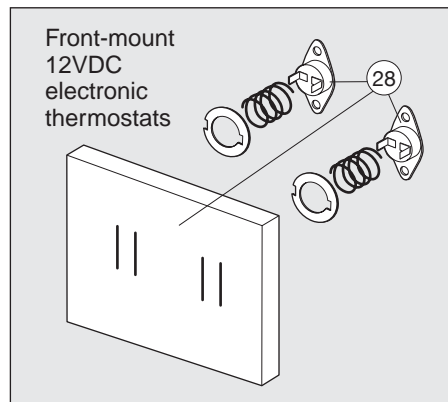
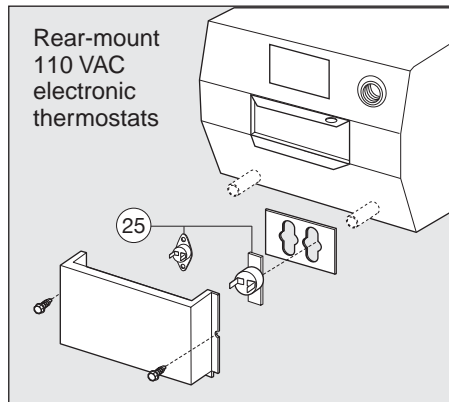
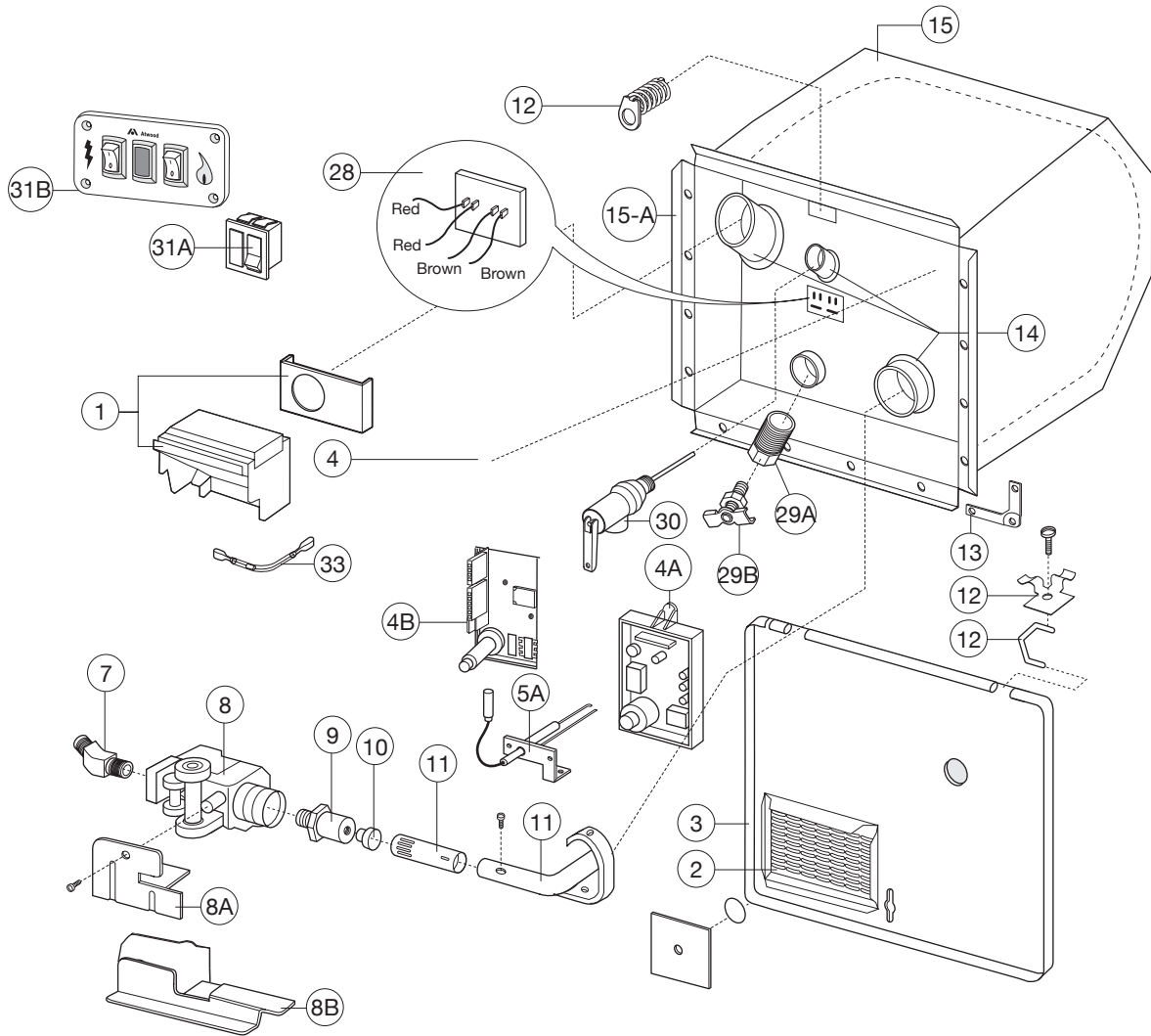
REPLACEMENT PART REFERENCE January 2007

			GC6A, GC6A-3, GC6A-6, GC6A-7	G6A, G6A-2, G6A-3, G6A-6, G6A-6P, G6A-7, G6A-7P	GH6-3, GH6-6, GH6-7	GC6AA-7, GC6AA-7P	GC6AA-8, GC6AA-8P	G610-3, G610-3E, GH610-3	G10B, G10C	GC10A-2	GC10A-2P	GC10-1, GC10-2, GC10-2P	G10-2, G10-2P	G4SM
24	92942	110VAC E.C.O. Switch (NLA)								X	X	X		
25	92943	110VAC 140° Thermostat								X	X	X		
26	91092	110VAC On/Off Rocker Switch (6 Gal.)	X			X	X							
	91089	110VAC On/Off Rocker Switch (10 Gal.)								X	X	X		
27	91853	110 VAC Thermostat (Rectangle) (NLA)	X									X		
28	91116	110VAC On/Off Switch & Jct Box (6 Gal.)					X							
29	92249	110 VAC Element/Gasket (screw-in)	X			X	X			X	X	X		
30	91873	Thermostat/E.C.O. 110 VAC	X			X	X			X	X	X		
N/S	91591	Conversion to Pilot 6 gallon 110VAC		X										
N/S	91596	Conversion to Pilot 10 gallon 110VAC										X	X	

Electric Side Combination Water Heaters



Electronic Water Heater 6-10 Gallon



First number in matrix refers to illustration number, the second is the part number.

Electronic Water Heaters

REPLACEMENT PART REFERENCE January 2007

		GCH6-4E, GCH6-6E, GCH6-7E, GC6A-7E	GH6-6E, GH6-7E, GH6-8E	G6A-6E, G6A-7E, G6A-8E	GCH6A-7E, GCH6A-8E, GCH6A-9E	GC6AA-7E, GC6AA-8E, GC6AA-9E	GCH10A-2E, GCH10A-3E, GC10A-2E, GC10A-3E	G10-1E, GH10-1E	G610-3E, GH610-3E	G10-2E G10-3E	GC10-1E, GC10-2E	GH10-2E, GH10-3E	G6A-2E, GH6-3E	G6A-3E, GH6-3E, GH6-4E, G6A-4E	GCH6A-10E, GC6AA-10E	GC10A-4E, GCH10A-4E
a	91470	130° Front Mount thermostat (not shown)	X	X	X	X	X	X	X	X	X	X	X	X	X	X
	93105	Adjustable Thermostat (retrofits front-mount thermostats) (not shown)	X	X	X	X	X	X	X	X	X	X			X	X
	92610	Gas Line Grommet (not shown)	X	X	X	X	X	X	X	X	X	X			X	X
1	90960	Flue Box and Gasket	X	X	X	X	X	X	X	X	X	X	X	X	X	X
2	92640	Grille, New Style in Door	X	X	X	X	X	X		X	X	X			X	X
2	90002	Extended Grille	X	X	X	X	X	X		X	X	X			X	X
3	91514	Access Door (6 Gal.) Colonial White	X	X	X	X							X	X	X	
3	93993	Access Door (10 Gal.)					X	X	X	X	X	X				X
NS	91420	Potted Circuit Board (post electrode connection)	<i>No Longer Available (Use 91504)</i>													
4A	93865	Potted Circuit Board (Spade Electrode Connection)	X	X	X	X	X	X	X	X	X	X	X	X		
4B	93851	Potted Circuit Board - Combo													X	X
5	91606	Electrode (Remote Sense) WSL	<i>No Longer Available (Use 91504)</i>													
5A	93868	Electrode (Local Sense)	X	X	X	X	X	X	X	X	X	X	X	X	X	X
6	93189	Wiring Harness	X	X	X	X	X	X	X	X	X	X	X	X		
6	93191	Wiring Harness Combo													X	X
7	91044	45° Elbow 3/8"	X	X	X	X	X	X	X	X	X	X	X	X	X	X
8	93870	White Rodger Valve (6 & 10 Gal.)	X	X	X	X	X	X	X	X	X	X	X	X	X	X
8A	93243	Gas Valve Bracket - (6 Gal.) (Use with 93870)	X	X	X	X	X						X	X	X	
	93862	Gas Valve Bracket - (10 Gal.) (Use with 93870)								X	X	X	X	X		X
8B	94787	Gas Valve Bracket - 1 piece				X	X	X		X		X	X		X	X
9	91563	Orifice Holder	X	X	X	X	X	X	X	X	X	X	X	X	X	X
10	92742	Orifice - Main Burner/6 Gallon	X	X	X	X	X								X	
10	93914	Orifice - Main Burner/10 Gallon					X	X	X	X	X					X
11	91638	Main Burner 6 Gallon	X	X	X	X	X								X	
11	96206	Main Burner 10 Gallon				X	X		X	X	X	X				X
12	91858	Door Hardware Kit	X	X	X	X	X	X	X	X	X	X	X	X	X	X
13	91928	Set of 4 Corner Brackets	X	X	X	X	X	X	X	X	X	X	X	X	X	X
14	96010	Ring & Gasket Kit for service tank	X	X	X	X	X	X		X	X	X	X	X	X	X
15	92220	Styrofoam tank cover - bottom	X	X	X	X	X							X	X	
	92221	Styrofoam tank cover - top	X	X	X	X	X							X	X	
	91238	Styrofoam tank cover - bottom					X	X	X	X	X	X	X			X
	91239	Styrofoam tank cover - top					X	X	X	X	X	X	X			X
15-A	91802	Drawn Pan (Electronic 6 Gallon)	X	X	X	X	X								X	
15-A	93871	Drawn Pan (Electronic 10 Gal.)					X	X	X	X	X					X

Electronic Water Heaters

REPLACEMENT PART REFERENCE January 2007

			GCH6-4E, GCH6-6E, GCH6-7E, GC6A-7E	GH6-6E, GH6-7E, GH6-8E	G6A-6E, G6A-7E, G6A-8E	GCH6A-7E, GCH6A-8E, GCH6A-9E	GC6AA-7E, GC6AA-8E, GC6AA-9E	GCH10A-2E, GCH10A-3E, GC10A-2E, GC10A-3E	G10-1E, GH10-1E	G610-3E, GH610-3E	G10-2E G10-3E	GC10-1E, GC10-2E	GH10-2E, GH10-3E	G6A-2E, GH6-3E	G6A-3E, GH6-3E, GH6-4E, G6A-4E	GCH6A-10E, GC6AA-10E	GC10A-4E, GCH10A-4E
16	91092	110VAC on/off Switch (6 Gal.)	X			X	X										
16	91089	110VAC On/Off Switch (10 Gal.)						X				X					
17	91853	110 VAC Thermostat (Rect) NLA	X					X			X						
18	91580	110 VAC Element (Bolt-on)	X								X						
19	91182	110VAC On/Off Switch & Jct Box						X					X				
21	92942	110VAC E.C.O.										X					
22	92943	110VAC 140° Thermostat										X					
23	91116	110VAC On/Off Switch & Jct Box				X	X										
24	92249	110VAC Elmnt/Gskt (screw-in) Kit	X		X	X	X	X							X	X	X
25	91873	Thermostat/E.C.O. 110 VAC	X			X	X	X									
28	91447	Front Mount E.C.O./thermostat	X	X	X	X	X	X	X	X	X	X	X		X	X	X
29A	91857	Drain Plug Kit 1/2"	X	X	X	X	X	X	X	X		X	X	X	X	X	X
29B	92698	Petcock Drain Valve 1/8" WSL									X						
30	91604	Pressure Relief Valve - 1/2"	X	X	X	X	X	X	X	X	X	X	X	X	X	X	X
30	90028	Pressure Relief Valve - 3/4"		X	X						X		X			X	X
31A	91859	Switch 12 VDC-White	X	X	X	X	X	X	X		X	X	X	X	X		
31A	91959	Switch 12 VDC-Black	X	X	X	X	X	X	X		X	X	X	X	X		
31B	91230	Switch 12 VDC-White Combo														X	X
33	93866	Thermal Cut-off	X	X	X	X	X	X	X	X	X	X	X	X	X	X	X
N/S	90145	Fuse, Mini 2AMP	X	X	X	X	X	X			X	X	X			X	X
N/S	93849	Relay														X	X
N/S	91222	Junction Box 110V - 6 gal														X	
N/S	91224	Junction Box 110V - 10 gal															X
N/S	91223	Junction Box Cover for 6 gal															
N/S	94231	Recessed Flange - 10 gal															
N/S	94514	Recessed Flange - 6 gal															



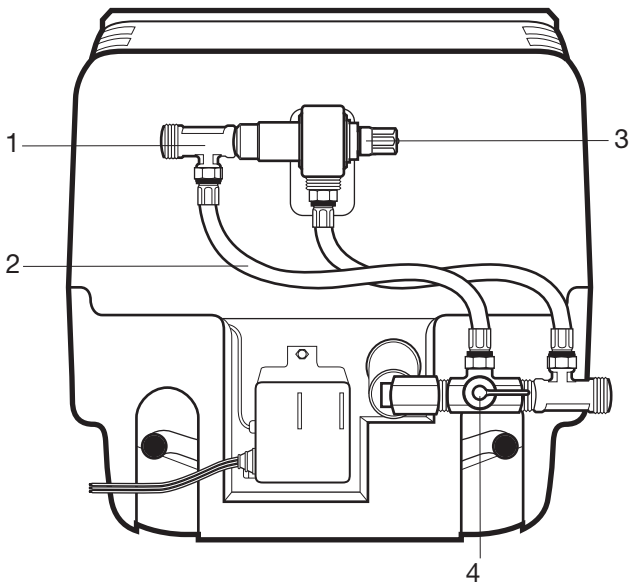
Atwood Mobile Products LLC
 1120 North Main Street • Elkhart, IN 46514
 PHONE: 574•264•2131 FAX: 574•262•2550
 INTERNET: <http://www.atwoodmobile.com>



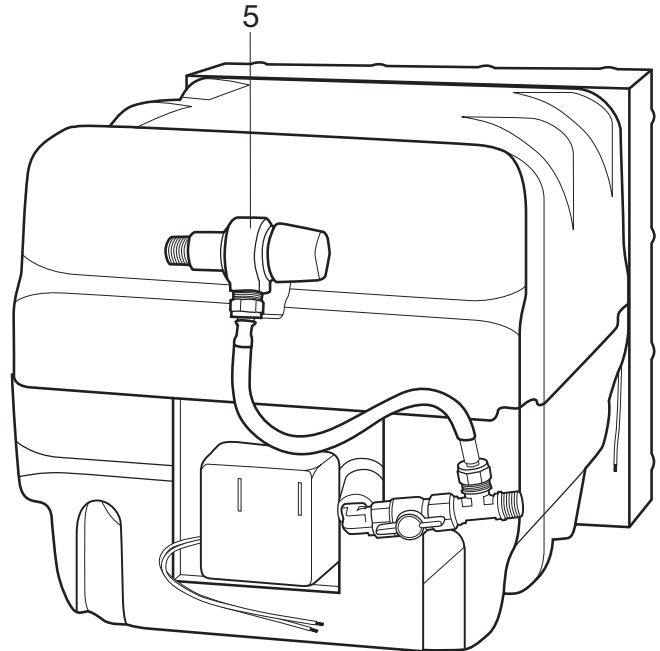
**XT WATER HEATER
 MPD 92690
 REPLACEMENT VALVE KIT
 10 GALLON
 PATENT PENDING**

ENGLISH, FRANCAIS (et Canada)

•Installation
 Effective 8/25/05



10 GALLON TE
 2004-2005

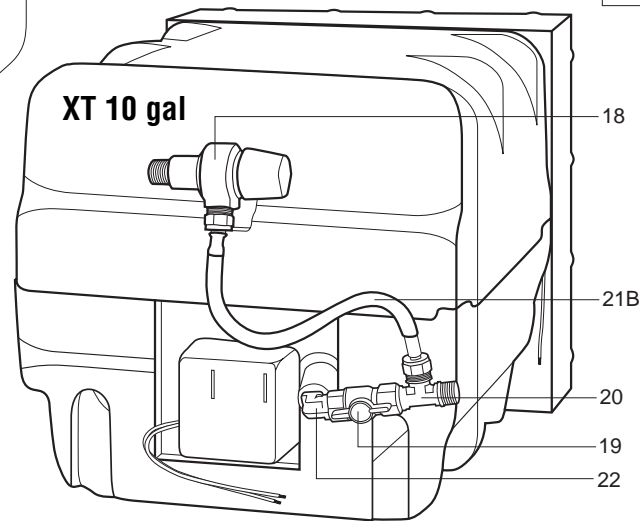
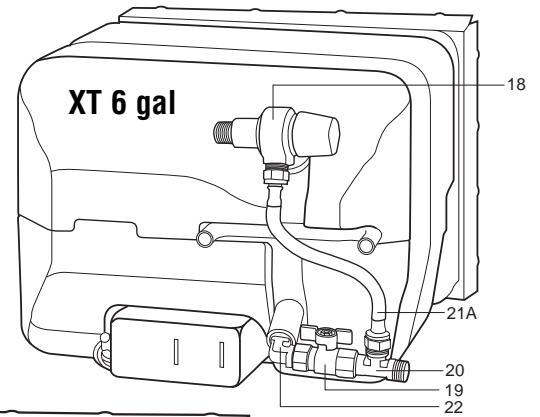
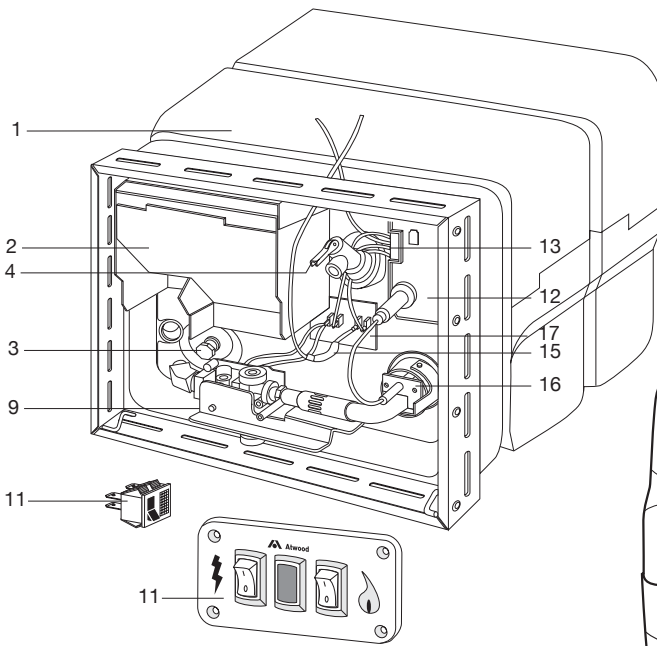


10 GALLON XT
 NEW FOR 2005-2006

1. Remove water lines (1), flexible hoses (2), mixing valve (3) and inlet plumbing components (4).
2. Install new mixing valve (5) with teflon tape. Use three wraps and pipe thread sealer to leading threads and install to minimum 35 fl/lbs.
3. Install male/male 90 degree fitting with a minimum of three wraps of teflon tape, stopping at approximately 1 o'clock on last turn.
4. Assemble tee to ball valve using a minimum of three wraps of teflon tape.
5. Install valve/tee assembly to elbow using a minimum of three wraps of teflon tape.
6. Finish turn on completed elbow/valve/tee assembly to horizontal position.
7. Adjust tee and valve so valve handle operates and tee is pointing branch thread upward.
8. Install flexible hose following instructions on hose tag.
9. Reconnect water lines. Apply Valve Position Sticker on back near valve.
10. Pressurize system to maximum 50 psi and check all connections for leaks with leak detecting solution.

XT WATER HEATER PART IDENTIFICATION

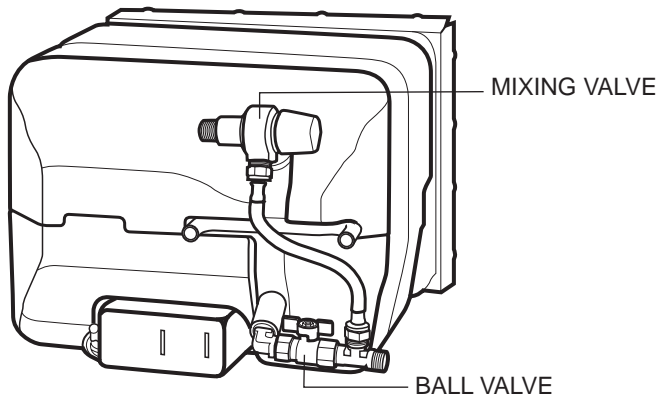
SPARK IGNITION
HEAT EXCHANGE
COMBINATION GAS/ELECTRIC



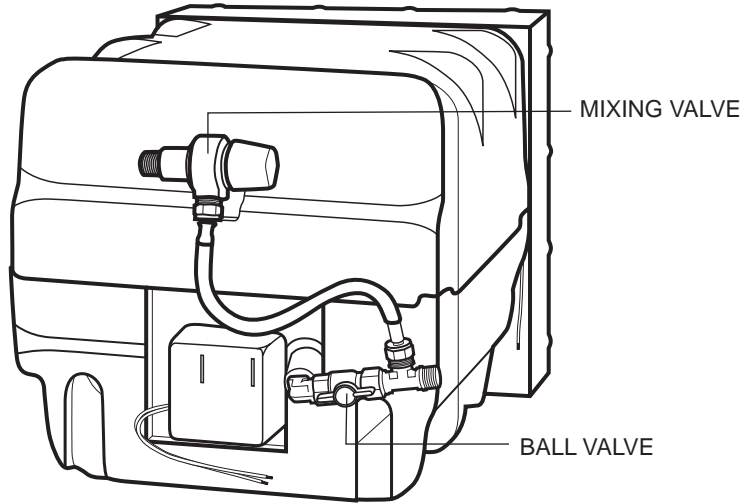
- * All tanks includes styrofoam jacket =
- x Order by model
- ✓ order by color

ITEM	6 GALLON	10 GALLON		
REFERENCE	22 LITRES	38 LITRES	SPARK IGNITION	ALLUMAGE PAR ÉTINCELLE
1	x	x	*Tank	*Réservoir
2	90960	90960	Flue Box Assembly	Boîtier du conduit
3	91857	91857	Drain Plug	Bouchon de vidange
4A	91604	91604	Pressure-Temperature Relief Valve 1/2" NPT	Soupape de décharge de type
4B	90028	90028	Pressure-Temperature Relief Valve 3/4" NPT	Soupape de décharge de type
9	93870	93870	Solenoid Valve	Électrovanne
11	91959	91959	Black on-Off Switch	Interrupteur Marche/Arrêt noir
	91859	91859	White On-Off Switch	Interrupteur Marche/Arrêt blanc
	91230	91230	Dual Switch	
12	93851	93851	Circuit Board	Circuit imprimé
13	93191	93191	Wiring Harness	Faisceau électrique
15	93866	93866	Thermal Cut Off	Coupure thermique
16	93868	93868	Spark Probe	Détecteur d'étincelle
17	91547	91547	ECO/T-STAT (kit)	Thermostat
			HEAT EXCHANGE	ÉCHANGE DE CHALEUR
1		x	*Tank	*Réservoir
			COMBINATION GAS/ELECTRIC	GAZ - ÉLECTRICITÉ COMBINÉS
1	x	x	*Tank	*Réservoir
NS	92249	92249	Heating Element & Gasket	Élément de chauffe et joint
NS	93849	93849	Relay	Relais
18	90029	90029	Mixing Valve	
19	90030	90030	Ball Valve	
20	90031	90032	Tee	
21A	90032		9" Hose (6 gallon)	
21B		90033	12" Hose (10 gallon)	
22	90034	90034	Elbow	
		92690	10 Gal Replacement Valve Kit	

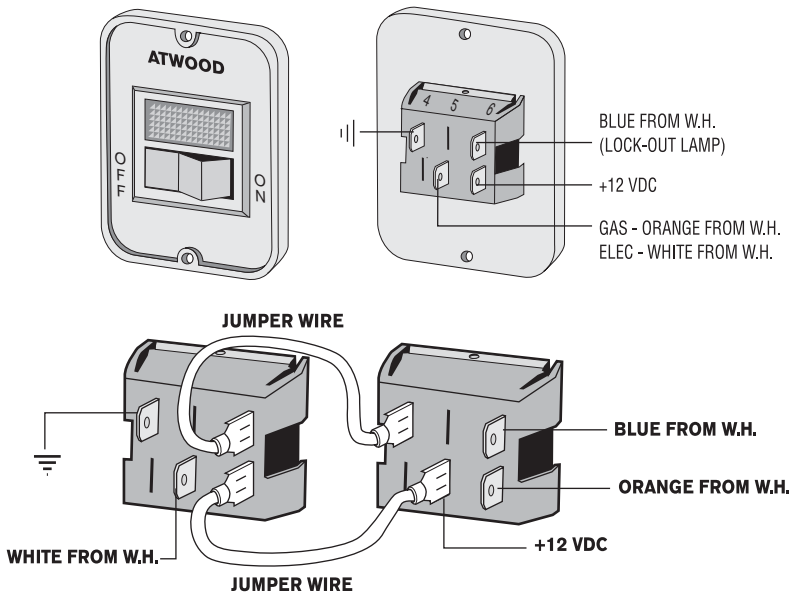
9 6 GALLON



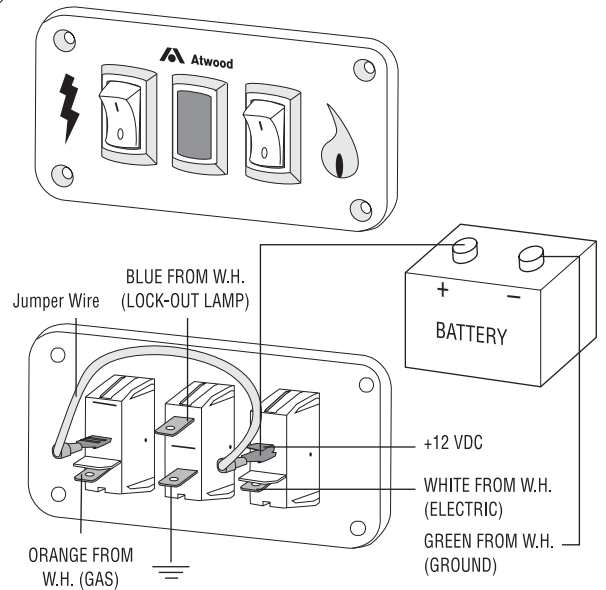
10 GALLON



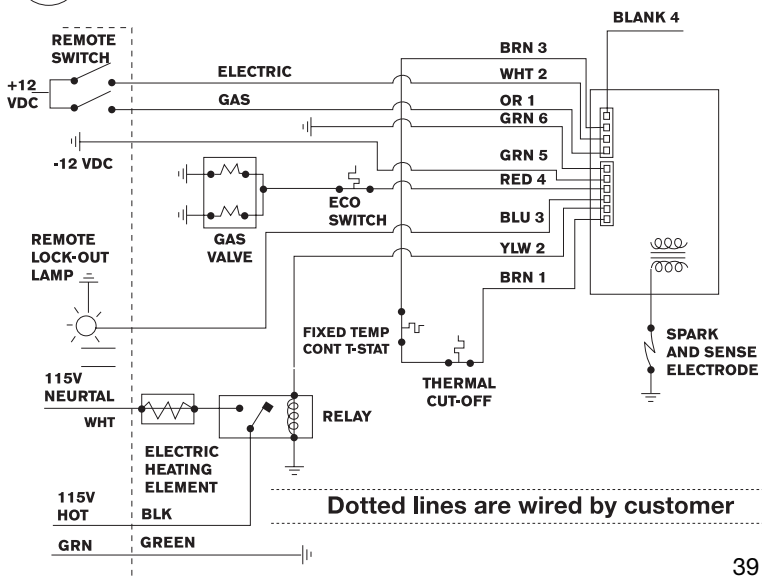
10 SINGLE SWITCH



11 DUAL SWITCH

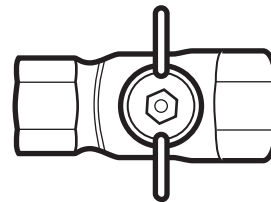


12 WIRING DIAGRAM COMBINATION GAS/ELECTRIC

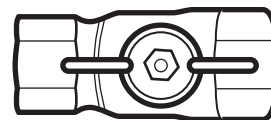


13

WINTERIZED



IN USE



SERVICE TANK KIT PART NUMBERS

**REPLACEMENT PART REFERENCE
February 2007**

	91411	91412	91591	91592	91593	91596	91641	91642	93950	93952	93953	94205	91059	91053	91060	91028
MODELS																
GAS																
G6A-2, G6A-3, G6A-6, G6A-7		●														
G10-1, G10-2												●				
GAS PILOT-RELIGHT																
G6A-6P, G6A-7P		●														
GC6AA-7P, GC6AA-8P			●													
GAS/PILOT RELIGHT COMBINATION																
GC10-2P						●										
G10-1P, G10-2P												●				
GC10A-2P, GC10A-3P						●										
GAS & ELECTRONIC IGNITION																
GH10-1E, GH10-2E, GH10-3E										●						
G10-1E, G10-2E, G10-3E, G16-EXT									●							
G6A-4E, G6A-6E, G6A-7E, G6A-8E, G9-EXT							●									
GH6-4E, GH6-6E, GH6-7E, GH6-8E								●								
GAS/ELECTRIC & ELECTRONIC IGNITION																
GCH6-4E, GCH6-6E, GCH6-7E				●												
GC6A-7E					●											
GCH10A-4E, GEH16-EXT																●
GCH10A-1E, GCH10A-2E, GCH10A-3E											●					
GC10A-4E, GE16-EXT															●	
GC10A-1E, GC10A-2E, GC10A-3E											●					
GC10-1E, GC10-2E											●					
GCH10-2E											●					
GAS/ELECTRIC COMBINATION																
GC6A-3, GC6A-6, GC6A-7, GC6AA-7, GC6AA-8			●													
GCH6A-7E, GCH6A-8E, GCH6A-9E				●												
GCH6A-10E, GEH9-EXT															●	
GC6AA-7E, GC6AA-8E, GC6AA-9E					●											
GC6AA-10E, GE9-EXT													●			
GC10-1, GC10-2						●										
GC10A-2, GC10A-3						●										
HEAT EXCHANGE																
GH6-3, GH6-6, GH6-7	●															

NO REPLACEMENT TANK FOR G6A-3E

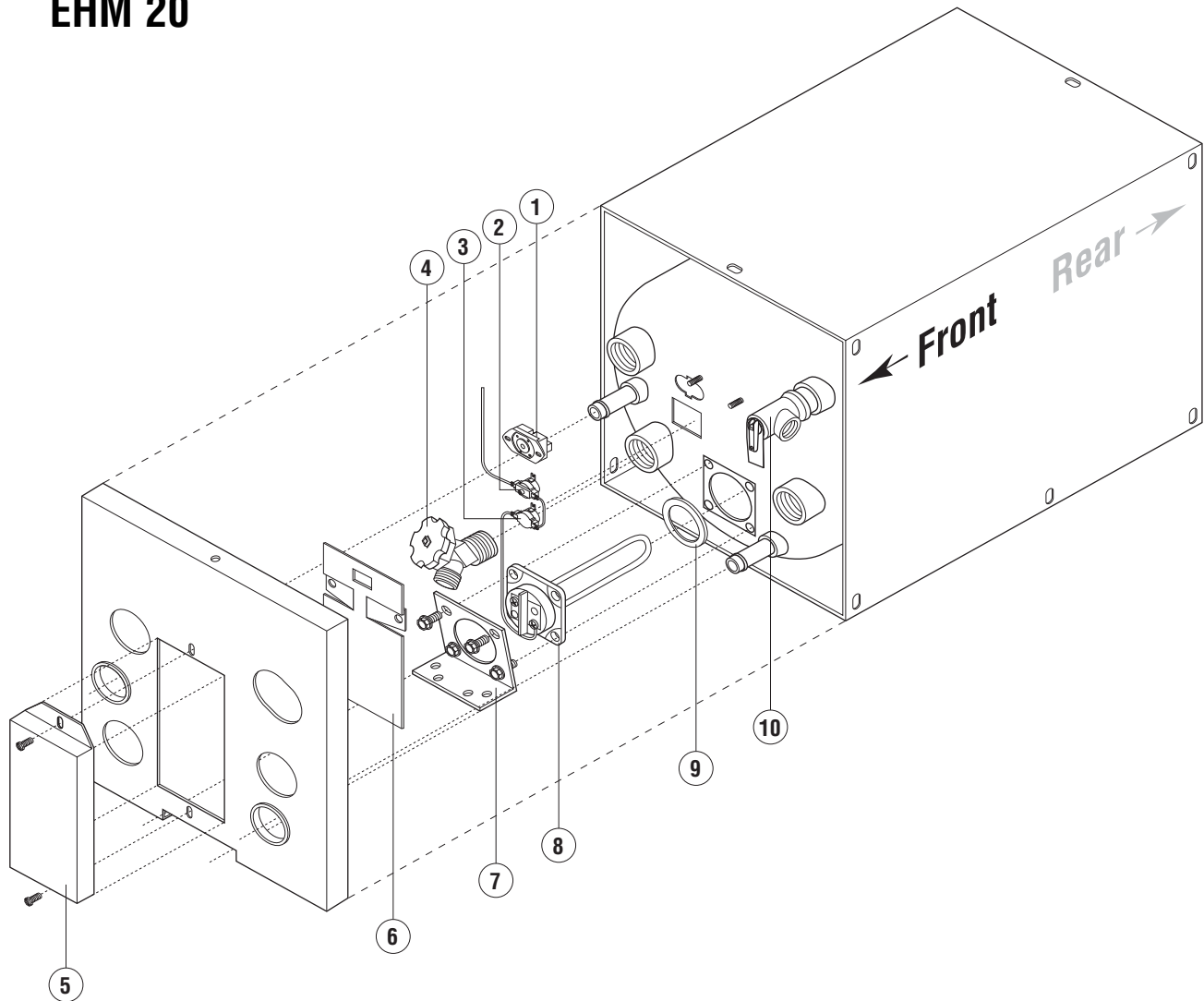
INNER TANK INCLUDES THE FOLLOWING:

- All tanks include the insulation jacket, rings and gaskets.
- On all combination gas/110VAC tanks, in addition to the items mentioned above, they will also come equipped with the 110VAC heating components attached (junction box, thermostat, ECO and heating element).
- Current combination gas/110VAC models have the thermostat and ECO located on the front side and are not installed on replacement tanks.

**EHM 4-SM
EHM 6-SM
EHM 11-SM
EHM 20**

ELECTRIC WATER HEATER

ALL MARINE WATER HEATER CAPACITIES



ITEM	PART #	DESCRIPTION
1/2/3	90037	Thermostat Kit, with ECO, plate, wires (110V)
	90041	Thermostat Kit, with ECO, plate, wires (220V)
4	93403	Drain Valve 3/4"
5	90045	Access Cover (NEW STYLE)
6	92236	Insulator
7	91498	Front & Rear Mounting Bracket (4 & 6 gal)
	91499	Front & Rear Mounting Bracket (11 & 20 gal)
8	91580	Heating Element (110V) and gasket
	91581	Heating Element (220V) and gasket
9	92679	Gasket Heating Element (110V)
	91098	Gasket Heating Element (220V)
10	91604	Relief Valve (150 psi) 1/2" - NPT
	92655	Relief Valve (75 psi) 1/2" - NPT
	90028	Relief Valve (150 psi) 3/4" - NPT
	92647	Relief Valve (75 psi) 3/4" - NPT
N/S	91459	Thermostat for Solenoid Valve (EHP10)
N/S	91782	Solenoid Valve (EHP10)
N/S	91781	Water Valves (EHP10)

Range Table of Contents

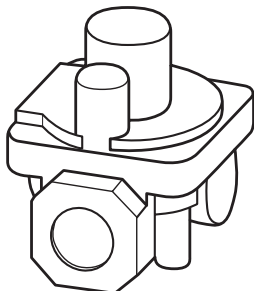
Atwood & Wedgewood Ranges, Slide-In's, and Drop-In's

- **Questions / Regulators** 2
- **Model Number Identification** 3
- **Range & Oven Gas Components**
 - Robertshaw / Harper Wyman 4
 - Combination - Harper Wyman/Robertshaw / Harper Wyman 4
 - Copreci 4
- **Sequence of Operation - Model 33** 5
- **Sequence of Operation - PRIOR to Model 33** 6
- **Trouble Shooting Guide - PRIOR to Model 33** 7-8
- **Trouble Shooting Guide - Model 33** 8
- **Identification of Older Wedgewood Systems** 8-9
- **Cooking Appliance Terminology** 10
- **BiFold Covers - Slotted, Unslotted & Recessed** 11
- **Replacement Part Reference**
 - Model 33 RV -1733 / 2133 & RA - 1733 / 2133 12-13
 - Model 30, 31, 32 RA - 1732 / 1731 / 1730 & RA - 2132 / 2131 / 2130 CA - 31 & 30..... 14-15
 - RV - 1732 / 1731 & RV - 2132 / 2131 & CV - 32 / 30 16-17
 - Model 30 & 31 RW -1731 / 1730 & RW - 2131 / 2130 & CW-30 22-23
 - Cabinet & Counter Cut out and Wiring Diagrams 24-25
 - C-37 & 38, R-1737, R-1738, R-1746, R-2137, R-2138, R-2146 26-27
 - R-1730, R-1735, R-1736, R-2136, R-2140, R-2145, C-30, C-35, C-36, C-40, C-45 28-30
 - DV20, DV30 31

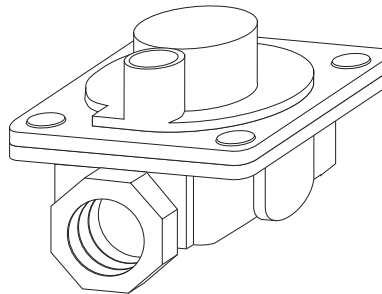
After reviewing this manual, you should be able to answer the following questions:

- Are the Harper Wyman and Robertshaw valves, burners and manifolds interchangeable?
- Can a Wedgwood range/oven be converted from LP to natural gas?
- What is the difference between the standby pilot and heater pilot?
- What are the three functions of the oven thermostat?
- What is the function of the oven safety valve?
- What is the difference between High BTU and High Pressure?
- How do you adjust the flame on the top burner and what should the flame look like after that adjustment?
- What is the temperature tolerance range on the oven thermostat?
- What is recommended to clean the oven with?
- How long is it recommended to preheat the oven before placing food in it?
- How many inches should the edge of a pan be from any oven surface?
- After the thermostat is turned to the desired temperature, approximately how long should it take for the oven burner to come on?
- Will the oven burner cycle 'on' and 'off' in the broil mode?
- Can piezo ignition be added to a match lit range?

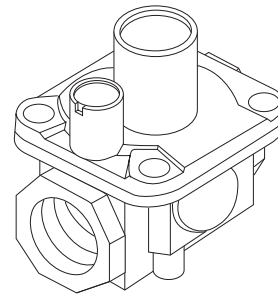
Regulators



Oara



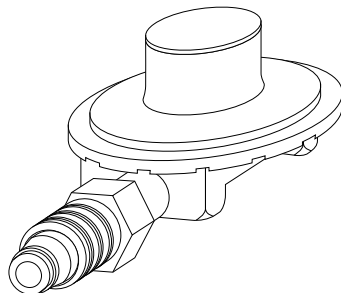
Maxitrol



Harper Wyman

Standard Pressure Regulator

- Used on all of our standard drop-ins, cooktops and ranges
- Regulate pressure at 10" W.C.



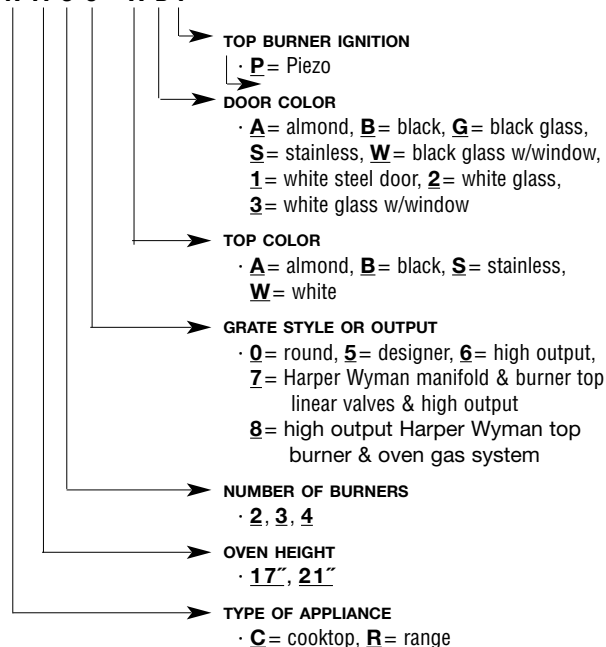
High Pressure Regulator

- Product Serial # begins with HP.
- Pressure is 16 psi
- Special cooking appliances designated for outdoor use only

Model Number Identification

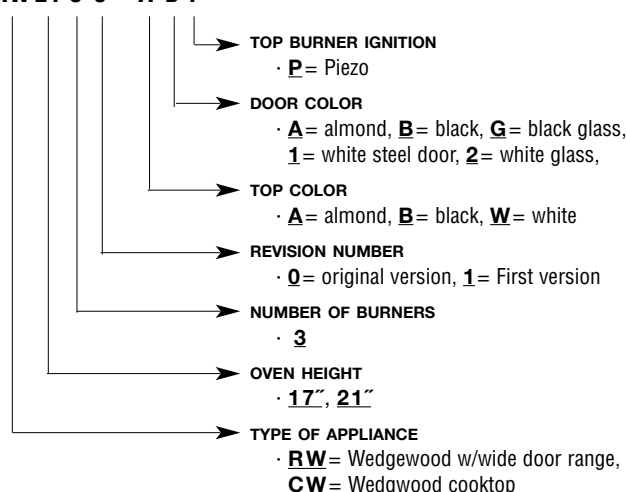
NARROW DOOR - OLD WEDGEWOOD - Range, Cooktop & Slide-In

R 17 3 6 - A B P



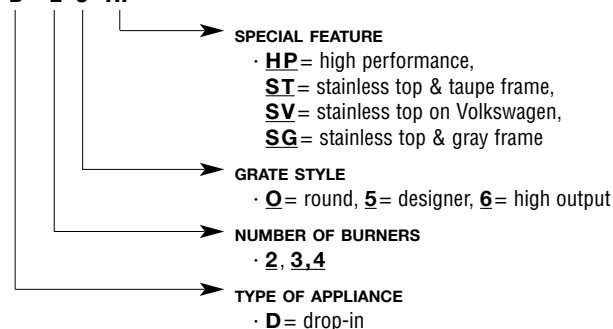
WIDE DOOR - OLD WEDGEWOOD - Range, Cooktop and Slide-In

RW 21 3 0 - A B P



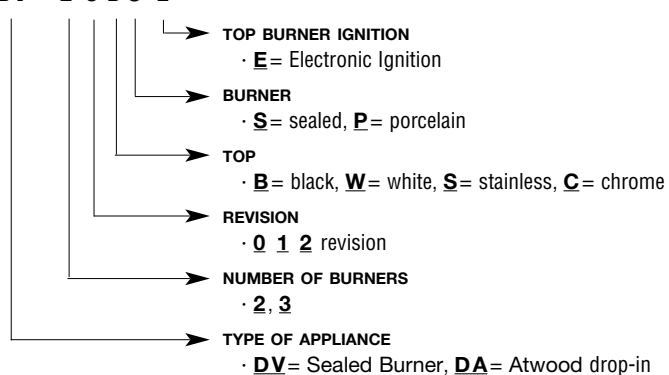
OLD WEDGEWOOD - Drop-In Cooktop

D- 2 5 HP



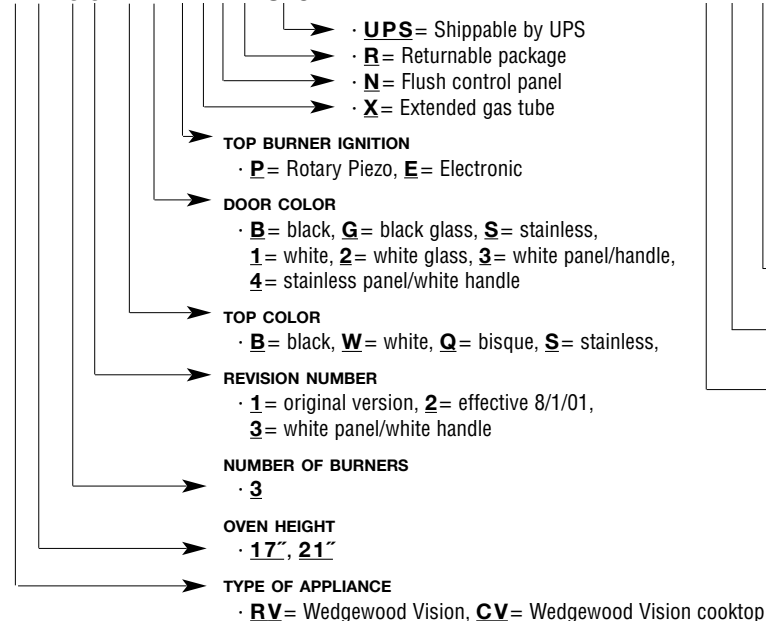
ATWOOD (DV)- OLD ATWOOD (DA) Drop-In Cooktop with Open Burners

DV - 2 0 B S E



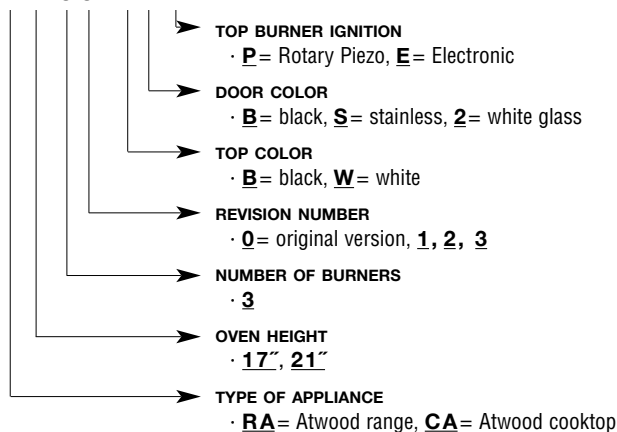
WEDGEWOOD VISION - Range, Cooktop & Slide-In

RV21 3 3 - B B P X N R UPS



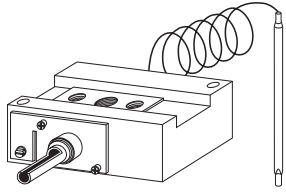
ATWOOD - Range (Oven & Cooktop w/Sealed Burners) & Slide In

RA21 3 3 - B B E

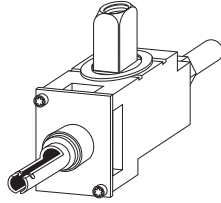


Range & Oven Gas Components

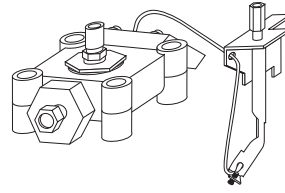
Robertshaw



Oven Control /
Thermostat



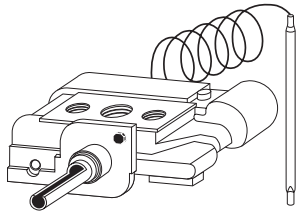
Burner Valve



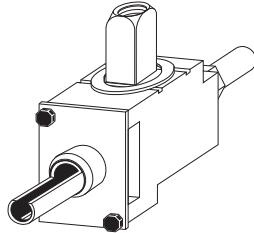
Safety Pilot Valve

- The top burner components mounted on a silver square manifold.
- Ranges in the serial number sequence WT30000 through W840000 used either this system or the Harper Wyman System.
- On a Robertshaw system the following exists:
 - a. the face of the oven control says R.C.C. (Robertshaw Control Company)
 - b. the lowest temperature on oven knob is 170°
 - c. the face plate of oven control and burner valves have silver torx head screws.

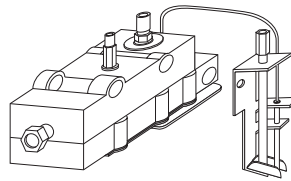
Harper Wyman



Oven Control /
Thermostat



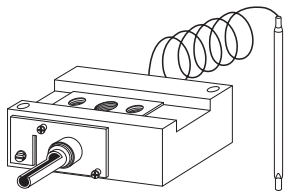
Maxi Burner Valve



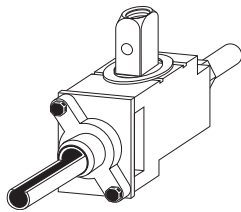
Safety Pilot Valve

- The top burner components mounted on a silver square manifold.
- Ranges in the serial number sequence WT30000 through W840000 used either this system or the Robertshaw System.
- On a Harper Wyman the following pertains:
 - a. the face of the oven control says H.W. (Harper Wyman)
 - b. the lowest temperature on oven knob is 140°
 - c. the face plate screws on the burner and oven valves are black and have octagonal heads.

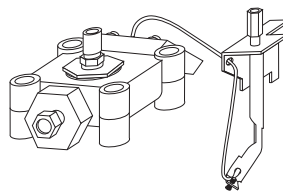
Combination - Harper Wyman/Robertshaw



Robertshaw Oven
Control / Thermostat



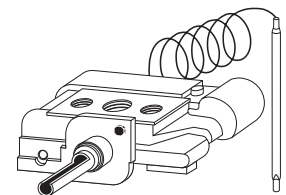
Harper Wyman Mini
Burner Valve



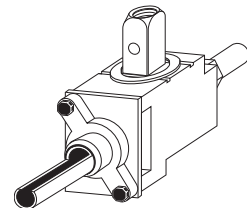
Robertshaw Safety
Pilot Valve

- Products whose model number is R or C ___7-___ have combined system (R2137-A).
- Top burner system is Harper Wyman
- Lowest temperature on oven knob is 170°
- Oven control system is Robertshaw

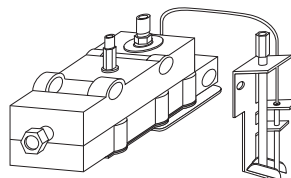
Harper Wyman



Harper Wyman Oven
Control / Thermostat



Harper Wyman Mini
Burner Valve

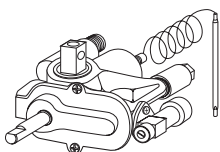


Safety Pilot Valve

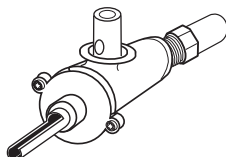
- Ranges whose model number is R ___8- 32 have a complete Harper Wyman range valve system
- Cooktops whose model number is C ___8- 32 to current model have a complete Harper Wyman valve system
- Top burners are Harper Wyman and linear.
- Lowest temperature on oven knob is 170°
- Oven control and safety pilot valve are also Harper Wyman.

Copreci

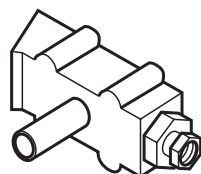
- Mercury free.



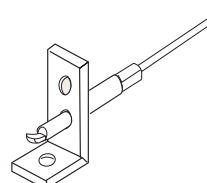
Copreci Oven
Thermostat



Burner Valve



Orifice Block



Pilot Assembly

- Ranges whose model number is R ___3 have a Copreci oven thermostat with Mueller burner valves for the stove top.
- Lowest temperature on oven knob is 300°
- Slide-ins whose model number is C_3 have Mueller burner valves.
- Pilot assembly is White Rodgers

Model 33 Sequence of Operation

Standard Pressure Regulator - this valve receives up to 13" W.C. gas pressure from LP bottles, and reduces it 10" W.C. for the manifold.



Manifold - a continually pressurized pipe distributing gas to top burner valves and oven valve.



Oven Thermostat (Copreci) - supplies gas to the oven pilot, main burner and regulates the oven temperature.



Pilot Assembly - the pilot looks exactly like the water heater pilot, but there are some differences (bend and thermocouple hole size). They are not interchangeable.

The operator holds the magnet in initially by pushing the knob at the pilot/push/hold rotation.

The pilot needs to be lit manually and held in for about 5 seconds.



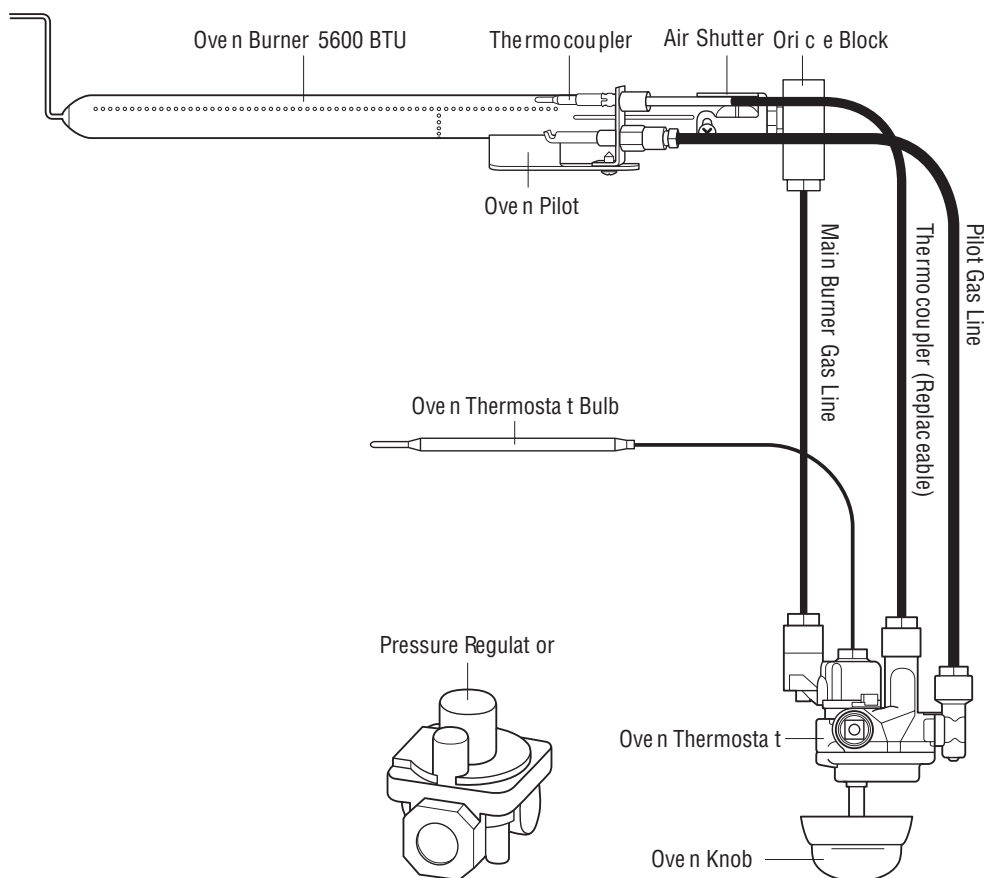
Oven Thermostat - senses oven temperature by means of a thermal bulb (no mercury) located in the upper rear of the oven. The oven control knob is set to the desired temperature calling for heat; the fluid expands in the bulb, opens a seat in the thermostat and supplies gas to the orifice block. The block contains the orifice for the main burner. Gas enters the burner to be ignited from the pilot.



Oven Burner - the oven burner remains **on** once the oven is turned on. The **size** of the flame is changed (higher or lower) by the thermostat depending on the set temperature and whether the capillary has been satisfied.

NOTE: Safety valve will remain open as long as the thermal couple senses the pilot flame.

Component Identification



Sequence of Operation - Prior to Model 33

Standard Pressure Regulator - this valve receives up to 13" W.C. pressure gas from LP bottles, and reduces it to 10" W.C. for the manifold.



Manifold - a continually pressurized pipe distributing gas to top burner valves and oven valve.



Oven Thermostat - supplies gas to the oven pilot, the safety pilot valve, and regulates the oven temperature.



PILOT ASSEMBLY

Standby Pilot - with the oven knob placed in the pilot position, the oven valve will supply gas to the pilot assembly. This standby pilot will stay lit until the oven knob is turned to the OFF position. It also supplies the gas for the heater pilot.



Heater Pilot - on initial start-up, when the oven thermostat knob is turned to the desired temperature, the volume of gas increases from the thermostat and the smaller standby pilot increases to a larger heater pilot flame. This higher pilot flame heats the thermocouple thereby opening the safety pilot valve to allow gas to flow to the oven burner. The heater pilot thereafter only comes on when the thermostat calls for heat.



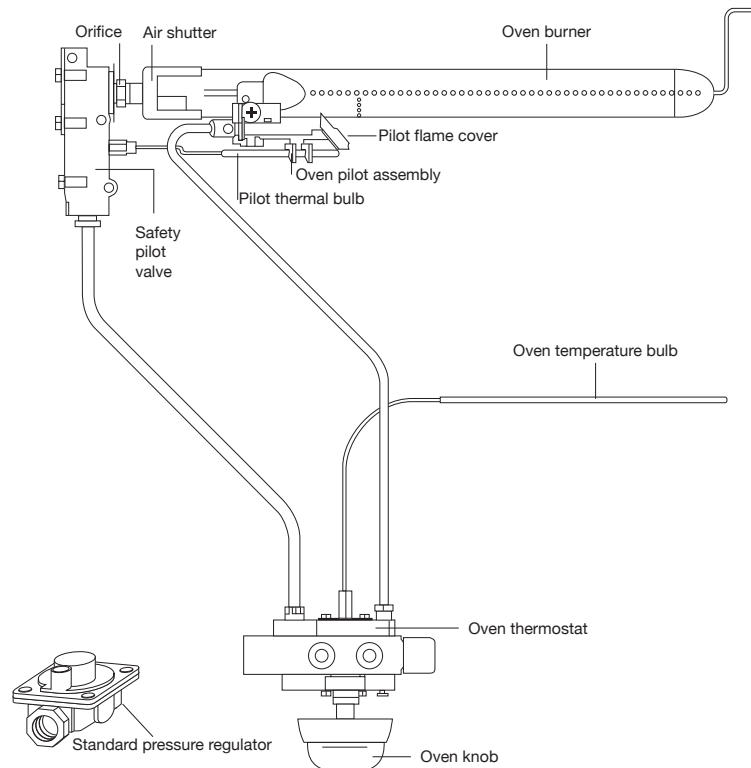
Safety Pilot Valve - controls the gas flow to the oven burner. The valve is operated by a thermal bulb located over the heater pilot. When this bulb is heated, it opens the safety pilot valve which then supplies gas to the oven burner.



Oven Thermostat - senses oven temperature by means of a thermal bulb located in the top of the oven. The oven control knob is set to the desired temperature calling for heat, the fluid expands in this bulb, opens a seat in the thermostat and supplies gas to the safety pilot for the higher heater pilot. This heater pilot initiates the process for starting the oven burner as described above. When the oven temperature is satisfied, the fluid in this bulb decreases which closes a seat in the oven valve and throttles the pilot size down to the standby pilot mode thereby shutting the oven burner OFF. This cycle will continue until the range is turned off.

- The temperature tolerance of the thermostat is $\pm 25^{\circ}\text{F}$.
- The oven burner will come on approximately 1-1/2 minutes from a cold start and 10 seconds from a hot start.
- The oven burner may cycle during the broil mode.

Component Identification



Effective: 12/15/06

Guides are only intended for use on Atwood® products by service technicians who have successfully completed Atwood® training. This guide should be used in conjunction with the appropriate Instruction Manual provided with the product and any applicable Industry Standards. This is not intended to be a complete list. Please direct questions concerning service of Atwood® products to 866-869-3118 before proceeding.

CAUSE	SOLUTION
--------------	-----------------

RANGE PILOT WON'T LIGHT OR STAY LIT

Insufficient gas pressure	1. Check for gas leaks and have regulator checked by qualified LP gas technician 2. Check gas supply 3. Set pressure to 11" W.C. with two or more gas appliances running
Supply valve closed	Turn valve on
Blocked pilot orifice, or blocked flash tubes	Clean pilot orifice with toothpick; clean flash tubes
Pilot flame cover out of position,	Reposition pilot flame cover, and/or remove carbon and/or coated with carbon build up.

BURNER(S) WON'T LIGHT OR STAY LIT

Insufficient gas pressure	Check for gas leaks, have regulator checked by qualified LP gas technician
Incorrect air/gas mixture	Adjust air shutter if applicable
Blocked orifice	Clean with toothpick

BURNER LIGHTS, BUT FLAME IS TOO SMALL

Improper gas pressure	Check for gas leaks, have regulator checked by qualified LP gas technician
Improper air/gas mixture	Adjust air shutter if applicable
Problem burner valve	Replace burner valve
Blocked orifice	Clean with toothpick

BURNER FLAME LIFTS OFF BURNER HEAD

Gas pressure too high	Have regulator check by a qualified LP gas technician
-----------------------------	---

OVEN BURNER LIGHTS, BUT FLAME REMAINS VERY SMALL AND OVEN HEATS VERY SLOWLY

Improper gas pressure	Check for gas leaks, have regulator checked by qualified LP gas technician
Blocked orifice	Clean with alcohol and cotton swab

OVEN BURNER FLAME LIFTS OFF BURNER AND OVEN CYCLES TOO FREQUENTLY

Gas pressure too high	Have regulator checked by qualified LP gas technician, or improper gas mixture
-----------------------------	--

OVEN COOKS UNEVENLY AND/OR FOOD BURNS ON THE BOTTOM

Poor oven ventilation	Oven too full for proper circulation - must have 1" clearance in all directions. Ventilation holes in oven bottom (shelf above burner) are covered. Check the top vent (on back of range) it must be clear of all insulation, etc.
Problem thermostat	Replace thermostat.
Oven not preheated	Oven must be preheated at least 10 minutes.
Thermo bulb out of position	Thermobulb must be in clip on back of oven - pans cannot touch thermo bulb.

OVEN PILOT OUTAGE

- Safety Thermal Bulb out of position ----- Re-position the safety thermal bulb.
- Problem thermostat ----- Replace thermostat
- Blocked oven vent ----- Remove obstruction from vent
- Incorrect oven burner gas/air mixture ----- Readjust air

YELLOW FLAME TIPS

- Improper gas-air mixture ----- Adjust air shutter if applicable
- Low gas pressure ----- Check gas supply
- Check for leaks and have the regulator checked
- Set pressure to 11" water column
- RA Ranges and Cooktops
- Improper orifice to burner alignment ----- Realign burner head and orifice tube assembly
- Replace orifice

Operation and Trouble Shooting Guide - 33 Series

TO LIGHT THE PILOT

Turn the oven knob to the pilot position and push in.
Hold in for at least 5 seconds until pilot is well established.

PILOT WILL NOT COME ON

- Check to see if the gas is turned on.
- Is there gas in the tanks?
- Check for blockage of the orifice, pilot assembly, or pilot line.
- Check for kinks in the pilot line.

PILOT WILL NOT STAY ON

- Hold oven knob, pilot position, for up to 30 seconds.
- Check gas supply.
- Confirm that thermocouple is fully inserted into the thermocouple holder.
- Pilot flame out of position. Pilot flame is not engulfing thermocouple. Pilot assembly needs to be adjusted so that pilot flame is engulfing thermocouple.
- Test thermocouple.
- Thermostat knob is bottoming out on manifold cover (face plate). If knob can not fully engage, the magnet in the thermostat will not be established. Move manifold out further beyond face plate.

THERMOSTAT CALIBRATION

The ideal temperature variance is 25 degrees (plus or minus). This means that if the thermostat is set at 350 degrees, the temperature will range between 325 and 375. If the temperature exceeds 50 degrees, plus or minus, check for a kinked capillary tube.

Identification of Older Wedgewood Systems

Robertshaw Gas System - Regular Ovens and Cooktop

Models: Serial #'s begin with a W and consist of 6 digits.
(example W840000).

Robertshaw Gas System - High BTU 3 burner Range and

Cooktop Models: Serial #'s begin with a SB and consist of 4 to 9 digits.

PART DIFFERENCES FOR ALL HIGH BTU RANGES AND MAINTOPS-

- Same oven control, regulator, safety-pilot & oven burner as regular ovens & cooktops.
- Earlier models used 2-52123 burner valves on rear burners.
- Manifolds, top burners and maintops are different from standard ranges.

You can identify the system by one of the following:

1. Look at the oven control face plate (behind the knob)
H.W. = Harper Wyman
R.C.C. = Robertshaw Control Co.
2. By looking at the first temperature on the oven knob
140 degrees = Harper Wyman system
170 degrees = Robertshaw system
3. Manifold (shape and color)

Both Robertshaw and Harper Wyman use a dull grey square manifold pipe.

 WARNING PERSONAL INJURY & PROPERTY DAMAGE
• Copreci, Robertshaw and Harper Wyman gas systems are not interchangeable.

**HARPER WYMAN SYSTEMS
EARLY WEDGEWOOD MODELS WITH OLDER SYSTEMS**

Between the years of 1991 to 1993 our gas systems were divided between Harper Wyman and Robertshaw. The serial numbers that involve a Harper Wyman and Robertshaw system would be in serial number series W73000 to W839999. The burner maintops and all cosmetic parts are the same. The gas system will be the only difference.

DURING 1978 TO 1980 we used all black square manifolds with the above burner valve, but we used a different oven control/thermostat 3902262 which did not offer a constant burning pilot in oven. They light the pilot on LOW TEMP AND THEN MOVE TO DESIRED TEMPERATURE. When done cooking they simply turn to off. The pilot had to light each time they got ready to use the oven. This control is NO LONGER AVAILABLE, however, you can sub it with the following:

51095 - - -Oven control/thermostat looks just like the 3902262 but, this will have a pilot on position where they don't have to light pilot before each use. This control when subbing for the 3902262 must change the oven knob to 51059 (also, known as 52286) even though the controls look alike, the knobs must be changed to provide correct substitution.

Rest of the gas system is as follow:

51096 - - -Burner Valve NO LONGER AVAILABLE (same as 51224)

51063 - - -Safety Valve (same as 51177)

51062 - - -Regulator (same as 52154)

All these parts are still available, no substitutes

DURING 1981 TO 1983 we used the black square manifold systems, along with a different Harper Wyman system, different from the one in 1991 to 1993.

DURING THE MIDDLE YEARS 1960'S TO 1972 Wedgewood used a gas system that used a black round manifold, with the oven control mounting to the front of the stove and does not mount to a manifold. This system is no longer available and no substitutions are available for that system. Part numbers and listed, Johnstone Supply Co. was the supplier. The obsolete part numbers were as follow:

Serial numbers on these ranges would start with the letters C, E, F, and consist of 5 to 6 digits.

Atwood will not be able to supply any parts.

During the Wedgewood years the part numbers consisted of 7 digits. When Atwood took over they needed the part numbers to consist of 5 digits only. Wedgewood took existing part numbers and dropped the 390 keeping the last four digits and added a 5 to the front (example: 3902281 became 52281).

DURING THE YEARS OF 1972 TO 1978 the following systems were used. We've noted the replacements for these no longer available controls. Serial numbers started with a J, K, G, H and consisted of 5 to 6 digits;

3901183 Oven control mounted to a black square manifold this control used two screws to mount it and the screws went completely through the oven control. NO LONGER AVAILABLE.

USE: 51095 Oven control/thermostat (old 52281) looks different, takes shorter screws for mounting. MUST CHANGE KNOB FOR 51095 TO WORK. Order oven knob #51059, (old 52286) It is designed for the calibration of the control.

3901175 Oven control mounted to a black square manifold. This control installs the same as above, however, it had 3 ports on back; one for center gas pilot. NO LONGER AVAILABLE.

USE: 51095 Oven control/thermostat (old 52281). It looks different, and will DISCONTINUE the center pilot between burners on top. To continue this feature you need to purchase new manifold pipe with ON and OFF valve for center pilot. Knob also needs to be replaced with 51059 (old 52286)

3901184 Oven control mounted to a black square manifold for eye level ranges only. NO LONGER AVAILABLE FOR SUBSTITUTE

3901224 Burner valve used with above controls same as 51224 or use blister pack number 51096. Still available from Atwood. They only mount to BLACK SQUARE MANIFOLDS.

DROP-INS - Wedgewood also, makes drop-in models (D20, D25, D30, D35). We have used this system approximately from the **END OF 1992 TO 1995**, however, February and March of 1995 we changed one burner valve on D30, D35 models. The front burner has been changed to a Hi BTU burner 6500 BTU valve on both burners for models D20 and D25.

Burner valves that are regular 5200 BTU have a black face plate, 6500 BTU valves have a gold face plate.

Maintops are ordered by Model number and color.

Before Atwood purchased Wedgewood in 1986 the model numbers were different. Below is a cross reference chart.

WEDGEWOOD	ATWOOD	DISCONTINUED		
T212	C30	T312	C35	D20
T214	C40	T314	C45	D20
T2122	R1730	T3122	R1735	D25
T2130	R1740	T3130	R1745	D25
T2150	R2140	T3150	R2145	D35
T2142				D25SV
				D25ST
				S=25WHP

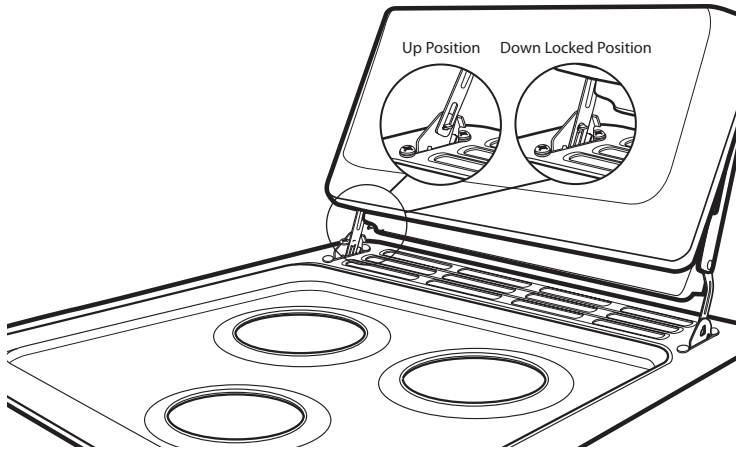
If you have a Wedgewood Model number you can use the parts list for Atwood model numbers for cosmetic parts. Depending on the age of the range, the gas system may not be the same. Gas system parts are ordered by either Model or Serial number.

Wedgewood Models numbers discontinued are as follow:

W7102	T2172LL	W2172C
W7103	W2172LL	C7200
		C7300

Cooking Appliance Terminology

Terminology	Definition	Terminology	Definition
Burner Electrode	The spark source to light top burners with piezo/12 VDC electronic ignition. Replaceable for 33 range series.	Piezo Igniter	An electro-mechanical device that can be used to ignite a top burner.
Calibration	The condition that determines whether the thermostat is registering temperatures properly.	Pilot Orifice	A precision drilled thimble shaped component that meters gas flow to the pilot.
CSA	American National Standard for Recreation Vehicle Cooking Gas Appliances	Regulator	Device that reduces the high pressure from the LP bottles to a lower pressure for the appliances.
Electronic Ignition	12v DC module activated by switch to ignite top burners.	Sealed Burner	A burner head attached directly to the porcelain main top which prevents spilling to the burner box.
Heater Pilot	An extension of the standby pilot that opens the oven safety valve, on older ranges, to enable gas to flow to the oven burner.	Standby Pilot	The oven pilot that burns constantly and provides the base for the heater pilot.
Main Burner Orifice	A precision drilled thimble shaped component that meters gas flow to the main burner.	Thermal Bulb	The bulb located in the oven and connected to the thermostat that contains thermal fluid and causes the thermostat to close and open based on the set cooking temperature.
Manifold	The constantly pressurized tube or pipe that supplies gas to the burner valves.	Thermocouple	Senses pilot flame for the oven and controls safety valve and thermostat.
Oven Safety Valve	The valve, on older ranges, that controls the gas flow to the main burner.	Yellow Tipping	A burner flame with excessive yellow tipping can be caused by improper gas/air mixture. Caused by improper alignment or restriction of orifice and venturi tube.
Oven Thermostat	It is the component that regulates the temperature of the oven at the desired cooking temperature and supplies gas for both the standby and heater pilots.		

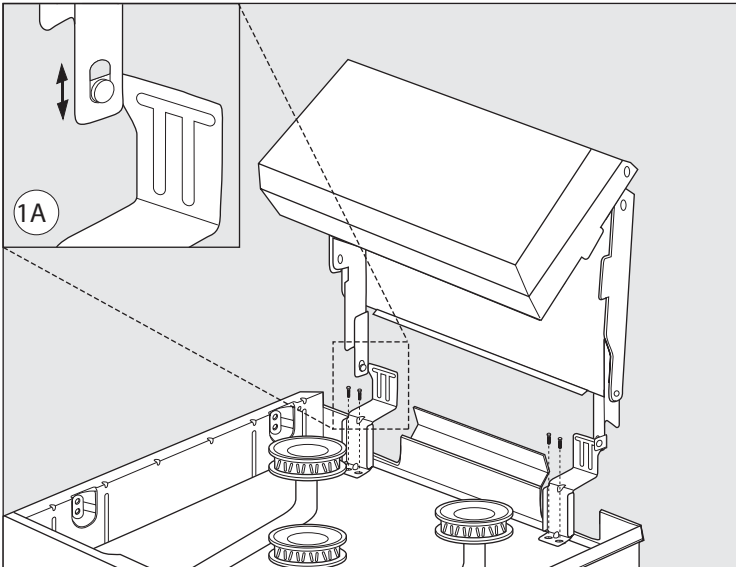


Model 33 Bi-fold Cover use with **SLOTTED TOPS**

MODEL NUMBER	DESCRIPTION	P/N #
BFC2-B	black, single	54106
BFC2-W	white, single	54107
BFC2-S	stainless, single	54102

(Applicable after serial number G10020000) Start date 10-2-06

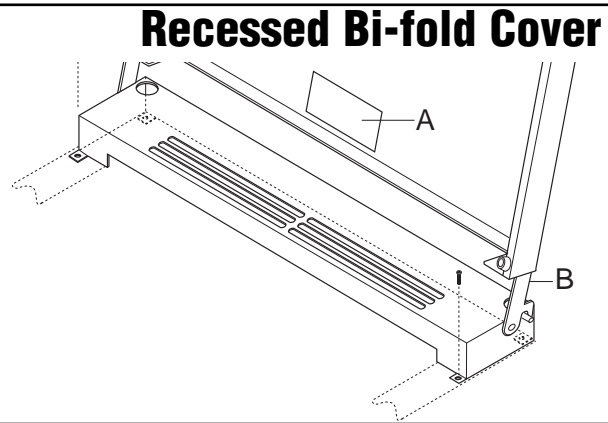
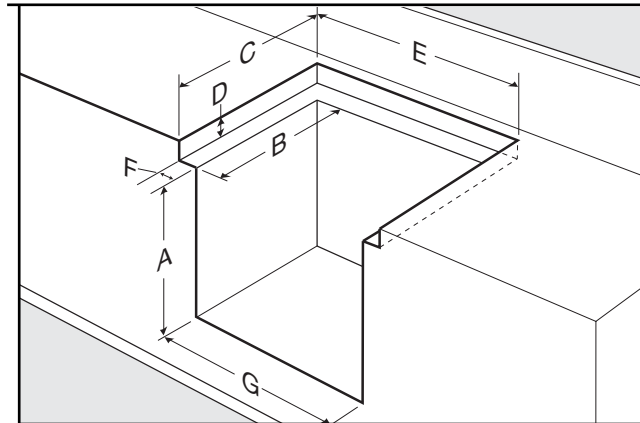
HINGE REPLACEMENT KIT	51031
includes left and right hinges	



Bi-fold Cover use with **UNSLOTTED TOPS**

MODEL NUMBER	DESCRIPTION	P/N #
BFC1-B	black, single	56417
BFC1-W	white, single	56418
BFC1-S	stainless, single	55895
BFC9-B	black, single	56399
BFC9-W	white, single	56398

(Applicable before serial number G10020000)



COUNTER CUT OUT DIMENSIONS - RECESSED

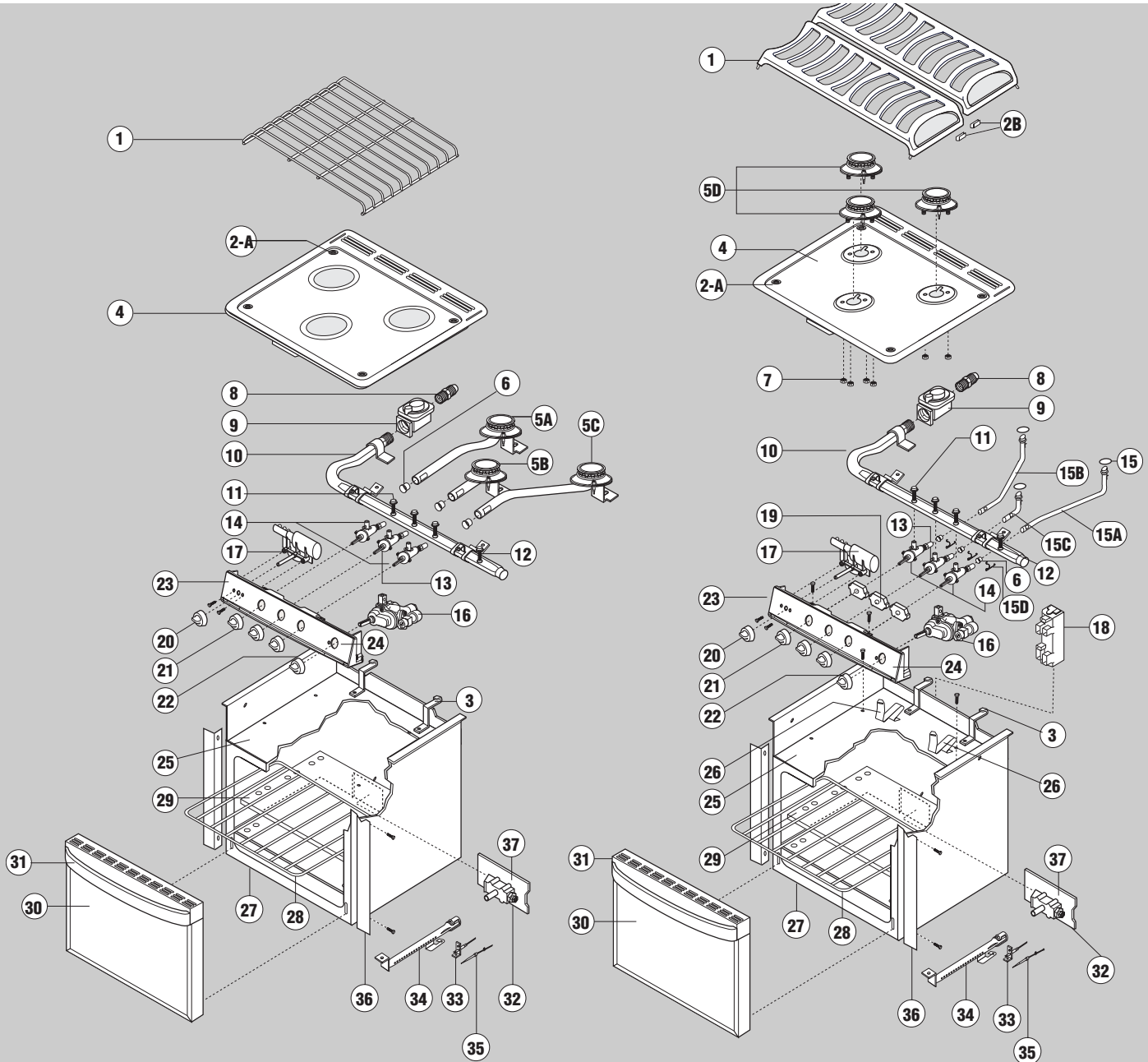
LAMINATE MATERIAL		MPD PART #	R OVEN						C											
			17"		21"		SLIDE-IN		A	B							C	D	E	F
IN	MM		IN	MM	IN	MM	IN	MM	IN	MM	IN	MM	IN	MM	IN	MM	IN	MM		
1/4	6	56397	17	432	21	533	3	76	18.5	470	20.5	521	2.31	59	24.63	625	2.19	56	20.25	514
1/32	.8	56391	17	432	21	533	3	76	18.5	470	20.5	521	1.84	47	24.63	625	2.19	56	20.25	514
LAMINATE MATERIAL		MPD PART #	RV & RA OVEN						CV & CA											
			17"		21"		SLIDE-IN		A	B							C	D	E	F
IN	MM		IN	MM	IN	MM	IN	MM	IN	MM	IN	MM	IN	MM	IN	MM	IN	MM		
1/4	6	56397	16	406	20	508	3	76	17.75	451	19.75	502	2.31	59	24.63	625	2.19	56	20.25	514
1/32	.8	56391	6	406	20	508	3	76	17.75	451	19.75	502	1.84	47	24.63	625	2.19	56	20.25	514

MODEL 33 - WEDGEWOOD (RV / CV) - ATWOOD (RA / CA)

Range & Slide-In Parts Identification

RV SERIES - MATCH LIGHT, PIEZO & ELECTRONIC IGNITION

RA SERIES - PIEZO & ELECTRONIC IGNITION



ITEM	DESCRIPTION	WEDGEWOOD		ATWOOD	
		RV		RA	
		1733	2133	1733	2133
30	Door assembly includes handle - black steel	51977	51983	51977	51983
30	Door assembly includes handle - white steel	51978	51984	51978	51984
30	Door assembly includes handle - white glass	51981	51987	51982	51988
30	Door assembly includes handle - black glass	51980	51986	51980	51986
30	Door assembly includes handle - stainless steel	51958	51992	51958	51992
30	Door assembly white handle - white steel	51957		51957	
	DOOR-Glass Insert - Sm BLACK	51881		51881	
	DOOR-Glass Insert - Lg BLACK		51882		51882
	DOOR-Glass Insert - Sm WHITE	51883		51883	
	DOOR-Glass Insert - Lg WHITE		51884		51884
31	Oven Door Handle - black	51124	51124	51124	51124
	Oven Door Handle - white	51126	51126	51126	51126

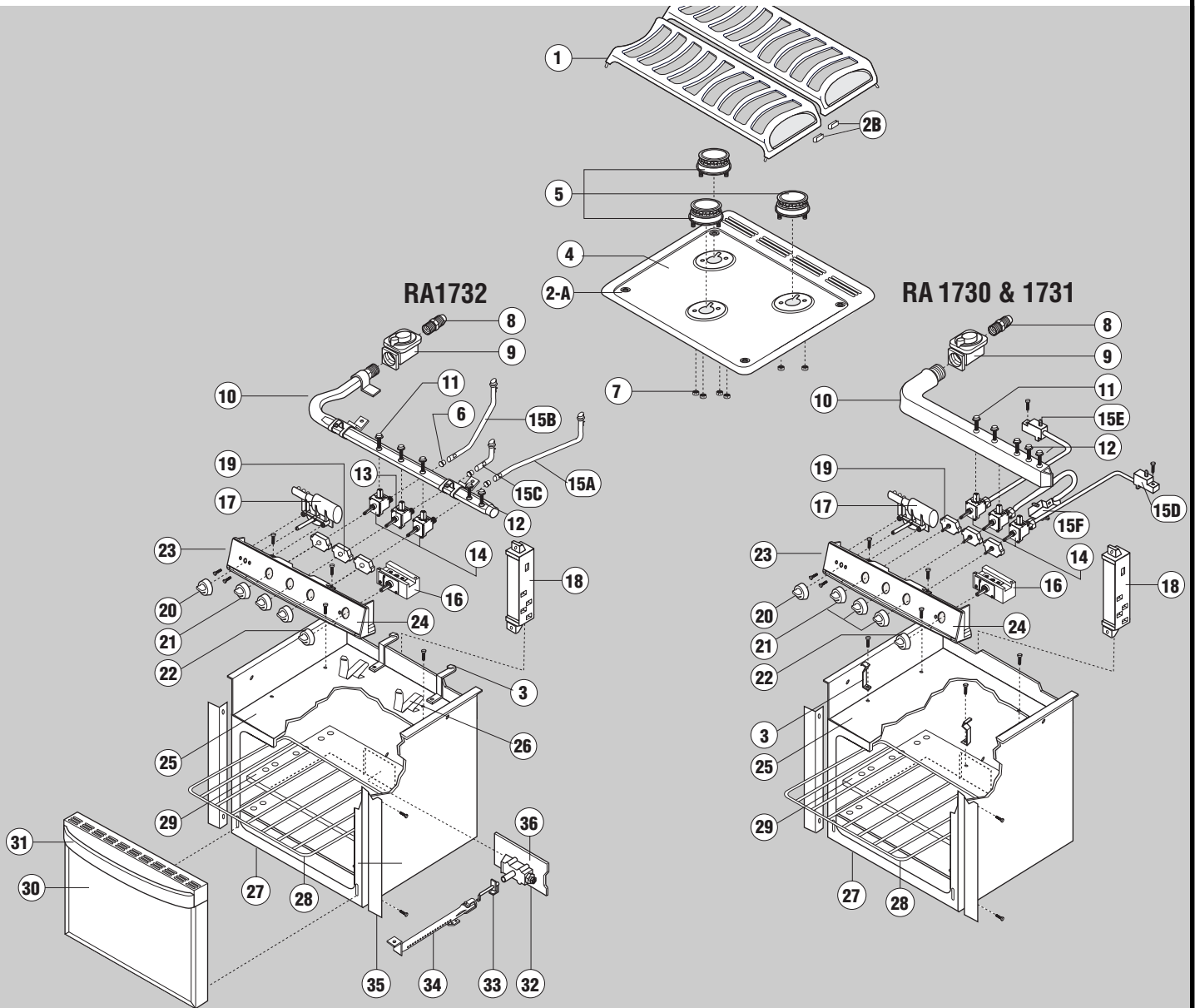
ITEM	DESCRIPTION	WEDGEWOOD			ATWOOD		
		RV		CV	RA		CA
		1733	2133	33	1733	2133	33
1	Grate - black	56272	56272	56272	57190❖	57190❖	57190❖
2A	Grommet (4) ❖	53009	53009	53009	53009	53009	53009
2B	Sealed Grate U-Channel (4) ❖				57194	57194	57194
3	Top Spring Clip (2) ❖	51035	51035	51035	51035	51035	51035
4	Range Top Assy - white	52007	52007	52007	57300	57300	57300
	Range Top Assy - black	52008	52008	52008	57299	57299	57299
	Range Top Assy - bisque OBS - USE BLACK OR WHITE						
	Range Top Assy - stainless steel	56742	56742	56742	57305	57305	57305
5A	Burner, Piezo - left rear	57205	57205	57205			
5A	Burner, Matchlit - left rear	57206	57206	57206			
5B	Burner, Piezo - center front	57201	57201	57201			
5B	Burner, Matchlit - center front	57202	57202	57202			
5C	Burner, Piezo - right rear	57203	57203	57203			
5C	Burner, Matchlit - right rear	57204	57204	57204			
5D	Burner, Piezo/Electronic Ignition				57276	57276	57276
6	Bushing - Burner (3) ❖	53011	53011	53011	53011	53011	53011
7	Hex Nut (2) ❖				51004	51004	51004
8	Brass Fitting	52294	52294	52294	52294	52294	52294
9	Pressure Regulator	51062	51062	51062	51062	51062	51062
10	3-Burner Manifold (AFTER SERIAL # F11040784) (Dbl D)	57217	57217	57216	57217	57217	57216
	3-Burner Manifold (BEFORE SERIAL # F11040783)	57270	57270	57268	57270	57270	57268
11	Bolt-Valve (3) ❖	57278	57278	57278	57278	57278	57278
12	Bolt - Oven Thermostat	57266	57266		57266	57266	
13	Valve, Burner-Mini 9000 BTU (AFTER SERIAL # F11030969) (GREEN)	57218	57218		57218	57218	
	Valve, Burner-Mini 9000 BTU (BEFORE SERIAL # F11030968)	57252	57252		57252	57252	
	Valve, Burner-Mini 9000 BTU (AFTER SERIAL # F11040784) (GREEN)			57218			57218
	Valve, Burner-Mini 9000 BTU (BEFORE SERIAL # F11040783)			57252			57252
14	Valve, Burner-Mini 6500 BTU (AFTER SERIAL # F11030969) (YELLOW)	57213	57213		57213	57213	
	Valve, Burner-Mini 6500 BTU (BEFORE SERIAL # F11030968)	57251	57251		57251	57251	
	Valve, Burner-Mini 6500 BTU (AFTER SERIAL # F11040784) (YELLOW)			57213			57213
	Valve, Burner-Mini 6500 BTU (BEFORE SERIAL # F11040783)			57251			57251
15	Burner Gasket Kit (INCLUDES 3)				50140	50140	50140
15A	Burner Tube - right rear				57110	57110	57110
15B	Burner Tube - left rear				57108	57108	57108
15C	Burner Tube - center front				57109	57109	57109
15D	Burner Clip, wire (3) ❖				57198	57198	57198
16	Thermostat, oven control	57294	57294		57294	57294	
17	Piezo Igniter	56096	56096	56096	56096	56096	56096
18	12V Ignition Module	57277	57277	57277	57277	57277	57277
19	Valve Ignition Switch	57262	57262	57262	57262	57262	57262
20	Piezo Knob -black	51344	51344	51344	51344	51344	51344
	Piezo Knob -white	53223	53223	53223	53223	53223	53223
21	Burner Knob - black (3) ❖	56148	56148	56148	56148	56148	56148
	Burner Knob - white (3) ❖	53221	53221	53221	53221	53221	53221
22	Oven Thermostat Knob - black	57258	57258		57258	57258	
	Oven Thermostat Knob - white	57291	57291		57291	57291	
23	Control Panel Assy- w/o Label	*	*	*	*	*	*
24	Control Panel Label	*	*	*	*	*	*
25	Burner Box	51687	51687	51687	51687	51687	51687
26	Burner Spring Clips (3) ❖				57095	57095	57095
27	Oven Can	51969	51970		51969	51970	
28	Oven rack	51069	51069		51069	51069	
29	Oven shelf	51670	51670		51670	51670	
32	Orifice Block	57271	57271		57271	57271	
33	Pilot Assembly	57247	57247		57247	57247	
34	Burner, oven	57275	57275		57275	57275	
35	Thermocouple	57274	57274		57274	57274	
36	Oven Can Trim	51975	51976		51975	51976	
37	Orifice Block Plate	57310	57310		57310	57310	
N/S	Wiring Harness - Electronic Ignition Switches				57262	57262	57262
	Wiring Lead - Electronic Ignition Electrodes				57261	57261	57261
	Wiring Lead - Electronic Ignition Ground				57260	57260	57260
N/S	Wiring Lead - Piezo (3) ❖	57264	57264	57264	57264	57264	57264
N/S	Burner Electrode (3) ❖	54800	54800	54800	54800	54800	54800
N/S	Hinge Assembly	51972	51991		51972	51991	
N/S	KIT - Door Seal	51060	51061		51060	51061	
N/S	KIT - Gas Tube Supply Oven	57273	57272		57273	57272	
N/S	Nylon Edge Guard (4) ❖	53218	53218	53218			
N/S	Thermal bulb clip	51364	51364		51364	51364	
N/S	Towel Bar			53205			53205

N/S Not shown in illustration OBS - Obsolete ❖ Order quantity needed ⌘ While supplies last * Order by model, color and style

RA CA (30-31-32) SERIES RANGE & SLIDE-IN

Range & Slide-In Parts Identification

Piezo and Electronic Ignition



30 DOOR CHART	RA-1732	RA-1731	RA-1730	RA-2132	RA-2131	RA-2130
BLACK PANEL/BLACK HANDLE	51977	51977		51983	51983	
WHITE PANEL/BLACK HANDLE	51978	51978		51984	51984	
WHITE GLASS-WHITE FRAME/BLACK HANDLE	51982	51982		51988	51988	
BLACK GLASS-BLACK FRAME/BLACK HANDLE	51980	51980		51986	51986	
WHITE GLASS-BLACK FRAME/BLACK HANDLE	51981	51981		51987	51987	
STAINLESS PANEL/WHITE HANDLE	51951	51951				
DOOR-Glass Insert - Sm BLACK	51881	51881	51881			
DOOR-Glass Insert - Lg BLACK				51882	51882	
DOOR-Glass Insert - Sm WHITE	51883	51883	51883			
DOOR-Glass Insert - Lg WHITE				51884	51884	
DOOR-Panel						
Sm BLACK new solid door style no trim	51581	51581	51581+			
Lg BLACK new solid door style no trim				51583	51583	51583+
Sm WHITE new solid door style no trim	51582	51582	51582+			
Lg WHITE new solid door style no trim			51584+	51584	51584	
Sm STAINLESS new solid door style no trim	51578	51578				

+ New door panel replaces old panel plus frame.

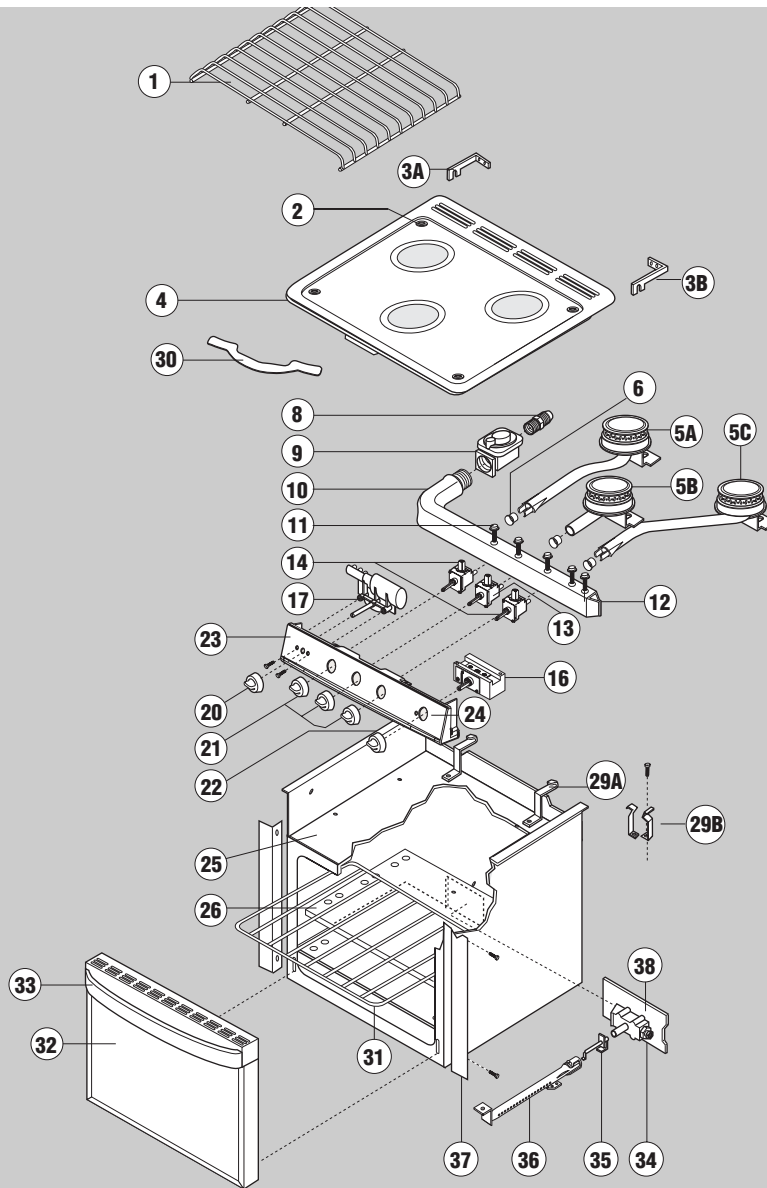
ATWOOD - Oven & Slide-In Cooktop Parts Identification

ITEM	DESCRIPTION	RA-1732	RA-1731	RA-1730	RA-2132	RA-2131	RA-2130	CA-31	CA-30
1	Grate - BLACK (2) ❖	57190	53443	53443	57190	53443	53443	57190	53443
2A	Grommet (4) ❖	53009			53009			53009	
2B	Sealed Grate U-Channel (4) ❖	57194			57194			57194	
3	Top Spring Clip (2) ❖	51035	51111	51111	51035	51111	51111	51035	
4	Range Top Assy - WHITE	57114	52634OBS	52634OBS	57114	52634OBS	52634OBS	57114	52634OBS
	Range Top Assy - BLACK	57113	52633OBS	52633OBS	57113	52633OBS	52633OBS	57113	52633OBS
5	Burner, Piezo/Electronic Ignition (3) ❖	57180	56207	56207	57180	56207	56207	57180	56207
	Burner, Piezo/Electronic Ignition BLACK (3) ❖		56325#	56325#		56325#			56325#
6	Bushing - Burner (3) ❖	53011			53011			53011	
7	Hex Nut (6) ❖	51004	51004	51004	51004	51004	51004	51004	51004
8	Brass Fitting	52294	52294	52294	52294	52294	52294	52294	52294
9	Pressure Regulator	51062	51062	51062	51062	51062	51062	51062	51062
10	3-Burner Manifold old OBS								
	3-Burner Manifold - round	53198#	53198#	53198#	53198#	53198#	53199	53199	53199
11	Bolt - Valve (3) ❖	53207	56088	56088	53207	56088	56088	53207	
12	Bolt - Oven Thermostat (3) ❖	53208	52125#	52125#	53208	52125#	52125#		
13	Valve, Burner - Mini 9000 BTU (1) ❖	53201			53201			53201	
14	Valve, Burner - Mini 6500 BTU (2) ❖	53200			53200			53200	
15A	Burner Tube Assy -RR	57110			57110			57110	
15B	Burner Tube Assy - LR	57108			57108			57108	
15C	Burner Tube Assy - CF	57109			57109			57109	
15D	Valve, Orifice Tube Assy-Mini 6500 - RR rd mfd		53206	53206		53206	53206		53206
15E	Valve, Orifice Tube Assy-Mini 6500 - LR rd mfd		53203	53203		53203	53203		53203
15F	Valve, Orifice Tube Assy-Mini 9000 - CF rd mfd		53202	53202		53202	53202		53202
16	Thermostat, oven control	56116	56116	56116	56116	56116	56116		
17	Piezo Igniter	56096	56096	56096	56096	56096	56096	56096	56096
18	12V Ignition Module	56162	56162	56162	56162	56162	56162	56162	56162
19	Valve Ignition Switch	56163	56163	56163	56163	56163	56163	56163	56163
20	Piezo Knob -BLACK	51344	51344	51344	51344	51344	51344	51344	51344
20	Piezo Knob -WHITE	53223	53223		53223			53223	
21	Burner Knob - BLACK (3) ❖	56148	56148	56148	56148	56148	56148	56148	56148
21	Burner Knob - WHITE (3) ❖	53221	53221	53221	53221	53221	53221	53221	53221
22	Oven Thermostat Knob - BLACK	53907	53907	53907	53907	53907	53907		
22	Oven Thermostat Knob - WHITE	53222	53222	53222	53222	53222	53222		
23	Control Panel - black	52621	52621	52621	52621	52621	52621	52621	52621
	Control Panel -Electric-white	52606	52606	52606	52606	52606	52606		
24	LABEL - Piezo - black	56177	56177	56177	56177	56177	56177	56179	56179
	LABEL - Piezo - white	56181	56181	56181	56181	56181	56181	56183	56183
	LABEL - Electric-black	56176	56176	56178	56176	56176	56178	56178	56178
	LABEL - Electric-white	56180	56180	56182	56180	56180	56182	56182	56182
N/S	Wiring Harness - Electronic Ignition Switches	56164	56164	56164	56164	56164	56164	56164	56164
	Wiring Harness - Electronic Ignition Electrodes	56165	56165	56165	56165	56165	56165	56165	56165
	Wiring Harness - Electronic Ignition Ground	56184	56184	56184	56184	56184	56184	56184	56184
	Wiring Lead - Piezo	56061	56061	56061	56061	56061	56061	56061	56061
25	Burner Box	51687	51687	51684	51687	51687	51684	51687	51684
26	Burner Clips (3) ❖	57107			57107			57107	
27	Oven Can	51969	51969	51902	51970	51970	51901		
28	Oven rack	51069	51069	51069	51069	51069	51069		
29	Oven shelf	51670	51670	51670	51670	51670	51670		
30	DOOR asmbly - see DOOR CHART (left)								
31	Oven Door Handle - BLACK	51124	51124	51124	51124	51124	51124		
31	Oven Door Handle - WHITE	51126	51126	51126	51126	51126	51126		
32	Safety Valve	56120	56120	56120	56120	56120	56120		
33	Pilot Assembly	56121	56121	56121	56121	56121	56121		
34	Burner, oven	56123	56123	56123	56123	56123	56123		
35	Oven Can Trim	51975	51975	51975	51976	51976	51976		
36	Safety Valve Plate	56139	56139	56139	56139	56139	56139		
N/S	KIT - Door Seal	51060	51060	51060	51060	51061	51061		
N/S	KIT - Gas Tube Kit	51067	51067		51068	51068	51068		
N/S	Door Spring - 17" (2) ❖			51404#					
N/S	Door Spring - 21" (2) ❖						51405		
N/S	Hinge Assy (2) ❖	51972	51972		51991	51991			
N/S	Towel Bar							53205	53205
N/S	Thermal Bulb Clip	51364	51364	51364	51364	51364	51364		

N/S Not shown in illustration OBS - Obsolete ❖ Order quantity needed # While supplies last

RV CV (30-31-32) SERIES RANGE & SLIDE-IN

Range & Slide-In Parts Identification



WEDGEWOOD VISION - Oven DOOR Parts Identification

ITEM	DESCRIPTION	RV-1732	RV-1731	RV-2132	RV-2131
32	DOOR asmbly w/handle - BLACK STEEL-BLACK PANEL/BLACK HANDLE	51977	51977	51983	51983
	DOOR asmbly w/handle - WHITE STEEL-WHITE PANEL/BLACK HANDLE	51978	51978	51984	51984
	DOOR asmbly w/handle - BLACK GLASS-BLACK FRAME/BLACK HANDLE	51980	51980	51986	51986
	DOOR asmbly w/handle - WHITE GLASS-BLACK FRAME/BLACK HANDLE	51981	51981	51987	51987
	DOOR asmbly w/handle - WHITE GLASS-WHITE FRAME/BLACK HANDLE	51982		51988	
	DOOR asmbly w/handle - WHITE STEEL-WHITE PANEL/WHITE HANDLE	51957			
	DOOR asmbly w/handle - ?-STAINLESS ?/BLACK HANDLE	51958			
	DOOR-Glass Insert - Sm BLACK	51881	51881		
	DOOR-Glass Insert - Lg BLACK			51882	51882
	DOOR-Glass Insert - Sm WHITE	51883	51883		
	DOOR-Glass Insert - Lg WHITE			51884	51884
	DOOR-Panel - Sm BLACK new solid door style no frame	51581	51581+		
	DOOR-Panel - Lg BLACK new solid door style no frame			51583	51583+
	DOOR-Panel - Sm WHITE new solid door style no frame	51582	51582+		
	DOOR-Panel - Lg WHITE new solid door style no frame			51584	51584+
	DOOR-Panel - Sm STAINLESS new solid door style no frame	51578			
33	Oven Door Handle - BLACK	51124	51124	51124	51124
33	Oven Door Handle - WHITE	51126		51126	

+ New door panel replaces old panel plus frame.

WEDGEWOOD VISION - Range & Slide-In Parts Identification

ITEM	DESCRIPTION	RV-1732	RV-1731	RV-2132	RV-2131	CV-32	CV-30
1	Grate - BLACK	56272	56722	56272	56272	56272	56272
2	Grommet (4) ❖	53009	53009	53009	53009	53009	53009
3A	Top Bracket - left		51131		51131		51131
3B	Top Bracket - right		51130		51130		51130
4	Range Top Assy - WHITE	52007	52635	52007	52635	52007	52685
	Range Top Assy - BLACK	52008	52636	52008	52636	52008	52636
	Range Top Assy - BISQUE OBS - USE BLACK OR WHITE						
	Range Top Assy - STAINLESS STEEL	56742		56742		56742	
5-A	Burner, Piezo - LR	56156	56156	56156	56156	56156	56156
5-A	Burner, Matchlit - LR	56159	56159	56159	56159	56159	56159
5-B	Burner, Piezo - CF	56155	56155	56155	56155	56155	56155
5-B	Burner, Matchlit - CF	56158	56158	56158	56158	56158	56158
5-C	Burner, Piezo - RR	56154	56154	56154	56154	56154	56154
5-C	Burner, Matchlit - RR	56157	56157	56157	56157	56157	56157
6	Bushing - Burner (3) ❖	53011	53011	53011	53011	53011	53011
8	Brass Fitting	52294	52294	52294	52294	52294	52294
9	Pressure Regulator	51062	51062	51062	51062	51062	51062
10	3-Burner Manifold	50158	50158	50158	50158	50159	50159
NS	3-Burner Manifold - round	53198		53198		53199	53199
11	Bolt - Valve (3) ❖	56088	56088	56088	56088	56088	56088
12	Bolt - Oven Thermostat (2) ❖	56125	56125	56125	56125		
13	Valve, Burner-Mini 9000 BTU (1) NLA						
14	Valve, Burner-Mini 6500 BTU (2) NLA						
NS	Valve, Burner-Mini 9000 BTU (1) ❖	53201	53201	53201	53201	53201	53201
NS	Valve, Burner-Mini 6500 BTU (2) ❖	53200	53200	53200	53200	53200	53200
16	Thermostat, oven control	56116	56116	56116	56116		
17	Piezo Igniter	56096	56096	56096	56096	56096	56096
20	Piezo Knob -BLACK	51344	51344	51344	51344	51344	51344
20	Piezo Knob -WHITE	53223		53223			
21	Burner Knob - BLACK (3) ❖	56148	56148	56148	56148	56148	56148
21	Burner Knob - WHITE (3) ❖	53221		53221			
22	Oven Thermostat Knob - BLACK	53097	53097	53097	53097		
22	Oven Thermostat Knob - WHITE	53222		53222			
23	Control Panel Assy - BLACK	52621	52621	52621	52621	52621	52621
	Control Panel Assy - WHITE	52606	52606	52606	52606	52606	52606
24	LABEL - Piezo - BLACK	56219	56219	56219	56219	56223	56223
	LABEL - Piezo - WHITE	56224	56224	56224	56224		
	LABEL - Matchlit - BLACK	56218	56218	56218	56218	56220	56220
25	Burner Box	51687	51687	51687	51687	51687	51687
26	Oven shelf	51670		51670			
27	Oven Can	51969	51969	51970	51970		
29A	Rear Top Clip (2) ❖	51035		51035		51035	
29B	Clip Spring (4) ❖		51111		51111		51111
30	Top Hold Down Clip		53057		53057		53057
31	Oven rack	51069	51069	51069	51069		
34	Safety Valve	56120	56120	56120	56120		
35	Pilot Assembly	56121	56121	56121	56121		
36	Burner, oven	56123	56123	56123	56123		
37	Oven Can Trim	51975	51975	51976	51976		
38	Safety Valve Plate	56139	56139	56139	56139		
N/S	Wiring Lead - Piezo (3) ❖	56097	56097	56097	56907	56097	56907
N/S	KIT - Door Seal	51060	51060	51061	51061		
N/S	KIT - Gas Tube Kit	51067	51067	51068	51068		
N/S	Hinge Assy (2) ❖	51972	51972	51991	51991		
N/S	Nylon Edge Guard (4) ❖	53218	53218	53218	53218	53218	53218
N/S	Thermal Bulb Clip	51364	51364	51364	51364		
N/S	Towel Bar					53205	53205

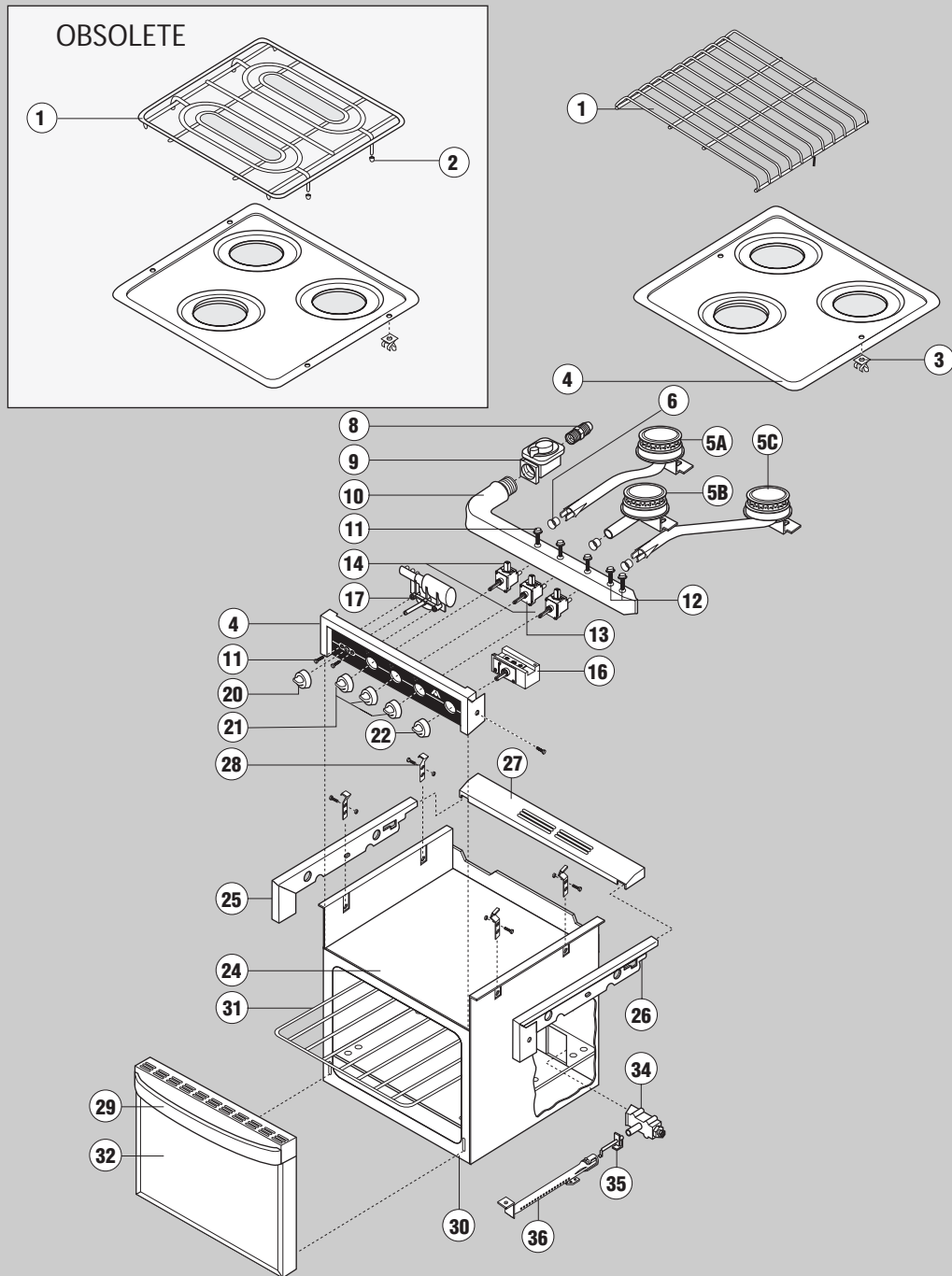
N/S Not shown in illustration OBS - Obsolete ❖ Order quantity needed ⌘ While supplies last



WEDGEWOOD (RW / CW) MODEL 30 & 31

Range & Slide-In Parts Identification

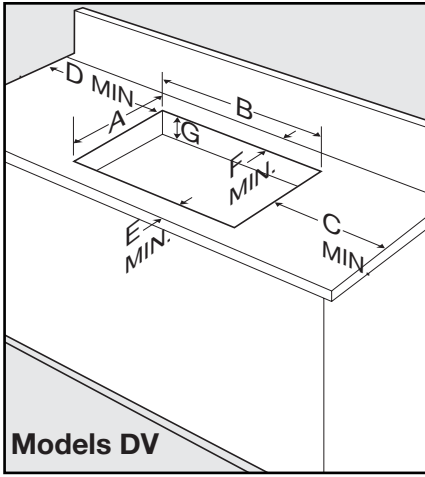
Match Light & Piezo



WEDGEWOOD -Oven & Slide-In Cooktop Parts Identification

	WEDGEWOOD - DESCRIPTION	RW-1731	RW-1730	RW-2131	RW-2130	CW-30
1	Grate (2 hole) - BLACK	56271	56271	56271	56271	56271
2	Grate Boot (4) ❖	53008	53008	53008	53008	53008
3	Grate Clip (2) ❖	56150	56150	56150	56150	56150
4	Range Top (2 hole) - WHITE	53584	53584	53584	53584	53584
	Range Top (2 hole) - BLACK	53583	53583	53583	53583	53583
	Range Top (2 hole) - ALMOND OBS - USE BLACK OR WHITE					
5-A	Burner, Piezo - left rear OBS	56066	56066	56066	56066	56066
5-A	Burner, Matchlit - left rear OBS ⌘	56069	56069	56069	56069	56069
5-B	Burner, Piezo - center front OBS ⌘	56068	56068	56068	56068	56068
5-B	Burner, Matchlit - center front OBS ⌘	56071	56071	56071	56071	56071
5-C	Burner, Piezo - right rear OBS	56067	56067	56067	56067	56067
5-C	Burner, Matchlit - right rear OBS ⌘	56070	56070	56070	56070	56070
6	Bushing - Burner (3) ❖	53011	53011	53011	53011	53011
8	Brass Fitting	52294	52294	52294	52294	52294
9	Pressure Regulator	51062	51062	51062	51062	51062
10	3-Burner Manifold	56160	56160	56160	56160	56072
11	Bolt Valve (3) ❖	56088	56088	56088	56088	56088
12	Bolt - Oven Thermostat (2) ❖	56125	56125	56125	56125	
13	Valve, Burner-Mini 9000 BTU (1) ❖	53201	53201	53201	53201	53201
14	Valve, Burner-Mini 6500 BTU (2) ❖	53200	53200	53200	53200	53200
16	Thermostat, oven control	56116	56116	56116	56116	
17	Piezo Igniter	56096	56096	56096	56096	56096
20	KNOB - Piezo -BLACK	51344	51344	51344	51344	51344
21	KNOB - Burner - BLACK (3) ❖	56148	56148	56148	56148	56148
22	KNOB - Oven Thermostat - BLACK	53097	53097	53097	53097	
24	Burner Box OBS	51684	51684	51685	51684	51684
??	Manifold Cover OBS	53110	53110	53110	53110	53110
	LABEL - without Piezo OBS ⌘	56101	56101	56101	56101	56104
	LABEL - with Piezo OBS ⌘	56103	56103	56103	56103	56102
25	TRIM - Left hand - BLACK OBS ⌘	53133	53133	53133	53133	53133
26	TRIM - Right hand - BLACK OBS ⌘	53134	53134	53134	53134	53134
27	TRIM - Vent - BLACK OBS	53525	53525	53525	53525	53525
28	Top Retaining Clip (4) ❖	51410	51410	51410	51410	51410
29	Oven Door Handle - BLACK	51124	51124	51124	51124	
30	Oven Can	51969	51902 OBS	51970	51901 OBS	
31	Oven rack	51069	51069	51069	51069	
32	DOOR assembly includes handle - BLACK steel	51977	51873 OBS	51983	51871 OBS	
	DOOR assembly includes handle - WHITE steel	51978	51850 OBS	51984	51850 OBS	
	DOOR assembly includes handle - ALMOND steel OBS	51979	51894	51985	51893	
	DOOR assembly includes handle - WHITE glass			51987		
	DOOR assembly includes handle - BLACK glass	51980	51872	51986	51870 OBS	
	DOOR -Glass Insert - Sm BLACK	51881	51881			
	DOOR -Glass Insert - Lg BLACK			51882	51882	
	DOOR -Glass Insert - Sm WHITE	51883	51883			
	DOOR -Glass Insert - Lg WHITE			51884	51884	
	DOOR -Panel - Sm BLACK NLA USE 51581	51885	51885			
	DOOR -Panel - Lg BLACK NLA USE 51583			51886	51886	
	DOOR -Panel - Sm WHITE NLA USE 51582	51887	51887			
	DOOR -Panel - Lg WHITE NLA USE 51584			51888	51888	
34	Safety Valve	56120	56120	56120	56120	
35	Pilot Assembly	56121	56121	56121	56121	
36	Burner, oven	56123	56123	56123	56123	
37	TRIM - Oven Can	51975		51976		
N/S	Enamel Door Liner	51989	51808 OBS	51990	51807 OBS	
N/S	Wiring Lead - Piezo	56097	56097	56097	56097	56097
N/S	KIT - Door Seal	51061	51060	51061	51061	
N/S	KIT - Gas Tube Kit (no fittings available)	51067	51067	51068	51068	
N/S	Towel Bar					53205

N/S Not shown in illustration OBS - Obsolete ❖ Order quantity needed ⌘ While supplies last

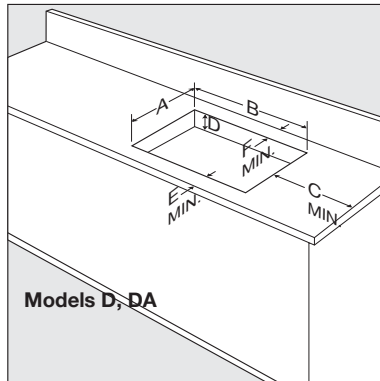


CABINET & COUNTER CUT OUT CHART

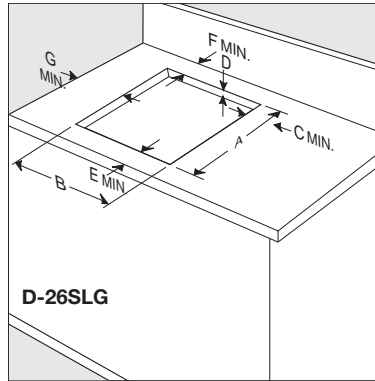
CUT OUT DIMENSIONS in inches	A	B	C	D	E
DV Models - 2 Burners	11-1/2	16-1/4	3-3/8 ♦	2-5/8 ♦	1-1/2 ♦
DV Models - 3 Burners	15	19	2 ♦	3-1/16 ♦	3 ♦
	F	G			
DV Models - 2 Burners	3-3/4 ♦	2-13/16 ▶			
DV Models - 3 Burners	4-1/2 ♦	2-13/16 ▶			

♦Minimum dimension ▶ Overall depth of drop-in

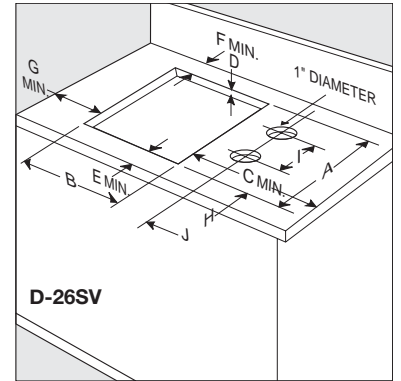
CABINET & COUNTER CUT OUT CHART



Models D, DA



D-26SLG



D-26SV

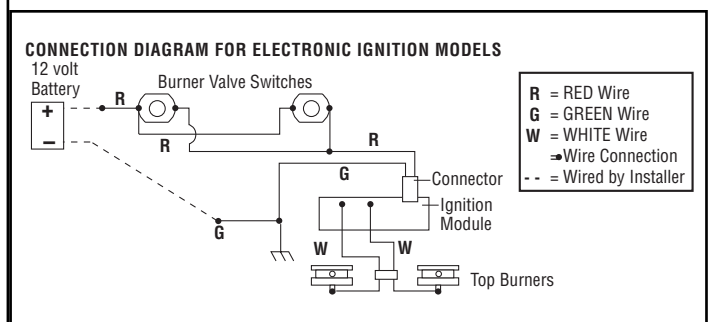
CUT OUT DIMENSIONS	A	B	C	D	E	F	G	H	I	J
D, DA Models - 2 Burners	11-5/8"	16-3/8"	2-1/4" ♦	3-1/8" ▶	3/4" ♦	4-3/4" ♦				
D, DA Models - 3 Burners	16-1/16"	19-3/16"	2-1/2" ♦	3-1/8" ▶	2-3/8" ♦	4" ♦				
D-26SLG	19"	14-1/8"	5/8" ♦	4-1/2" ▶	3/4" ♦	2-3/4" ♦	3"			
D-26SV	11-5/8"	16-3/8"	4-3/8" ♦	3-1/8" ▶	1" ♦	1-1/8" ♦	4-1/4"	3-1/4"	4-3/4"	2-1/4"

♦Minimum dimension ▶ Overall depth of cooktop

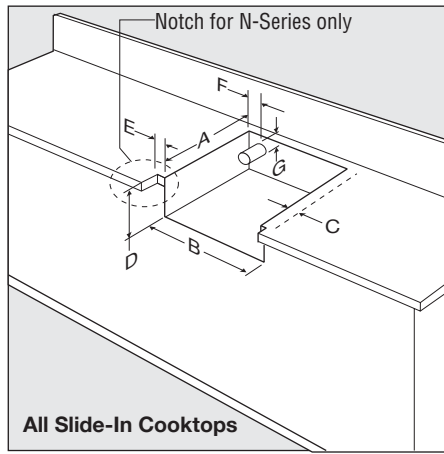
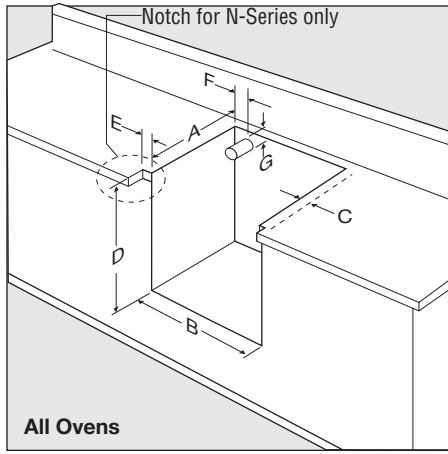
2- Burner LP Gas High Pressure Stove

CUT OUT CHART

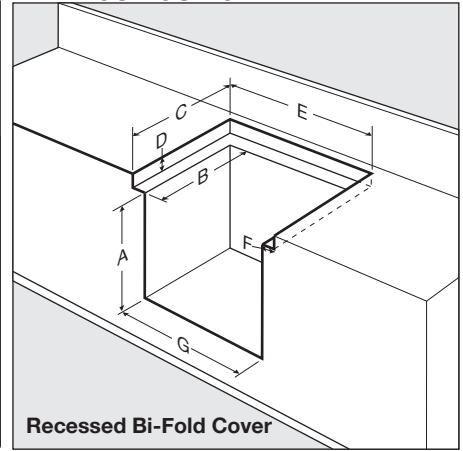
Model	A	B	C	D	E
	IN	IN	IN	IN	IN
2 burners	16-3/8"	11-3/8"	4-3/4"	2-1/4"	3/4"



CABINET & COUNTER CUT OUT CHART



RECESSED BI-FOLD COVER CUT OUT CHART



CABINET & COUNTER CUT OUT CHART - TABLEAU DE DECOUPE DES ELEMENTS ET DU COMPTOIR

CUT OUT DIMENSIONS DIMENSIONS DE LA DECOUPE	A	B	(RV/CV)	(RA/CA)	D	E	F	G
17" RV & RA Ranges Série RV et RA 17"	17.75"	20.25"	1.13"†	2.13"†	16"	0"	1.75"	1.5"
	451MM	514MM	29MM†	54MM†	406MM	0MM	45MM	38MM
21" RV & RA Ranges Série RV et RA 21"	17.75"	20.25"	1.13"†	2.13"†	20"	0"	1.75"	1.5"
	451MM	514MM	29MM†	54MM†	508MM	0MM	45MM	38MM
Slide-In CV & CA Série CV et CA à encastrement	17.75"*	20.25"	1.13"†	2.13"†	3"	0"	1.75"	1.5"
	451MM	514MM	29MM†	54MM†	76MM	0MM	45MM	38MM
17" RV & RA-N Series Série RV 43cm RV et RA-N	17.75"	20.25"	1.13"†	2.13"†	16"	7/16"	1.75"	1.5"
	451MM	514MM	29MM†	54MM†	406MM	11MM	45MM	38MM
21" RV & RA-N Series Série RV 53cm RV et RA-N	17.75"	20.25"	1.13"†	2.13"†	20"	7/16"	1.75"	1.5"
	451MM	514MM	29MM†	54MM†	508MM	11MM	45MM	38MM
Slide-In CV & CA-N Series Série CV à encastrement CV et CA-N	17.75"	20.25"	1.13"†	2.13"†	3"	7/16"	1.75"	1.5"
	451MM	514MM	29MM†	54MM†	76MM	11MM	45MM	38MM

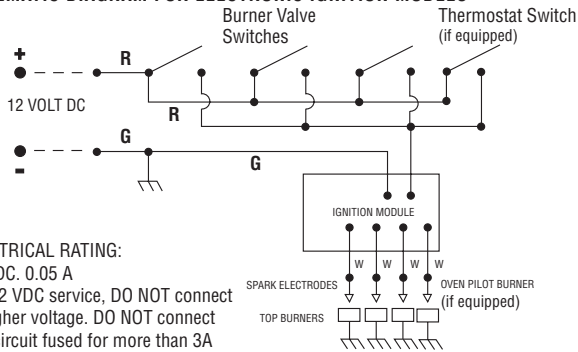
† Minimum clearance to combustible materials. (typical two (2) sides and back)
 * The overall unit depth for CA models with Electronic Ignition is 18-1/4" from cabinet face to back wall of cutout below counter.
 † Éloignement minimum des matériaux combustibles. (Typiquement sur les deux côtés et à l'arrière)
 * La profondeur totale des modèles CA à allumage électronique est de (464 mm). Ces dimensions sont celle de la découpe entre la façade de l'élément de cuisine et la paroi arrière du comptoir.

NOTE: Maximum countertop overhang = 3/4" NOTE: rebord maximum du comptoir = 19 mm

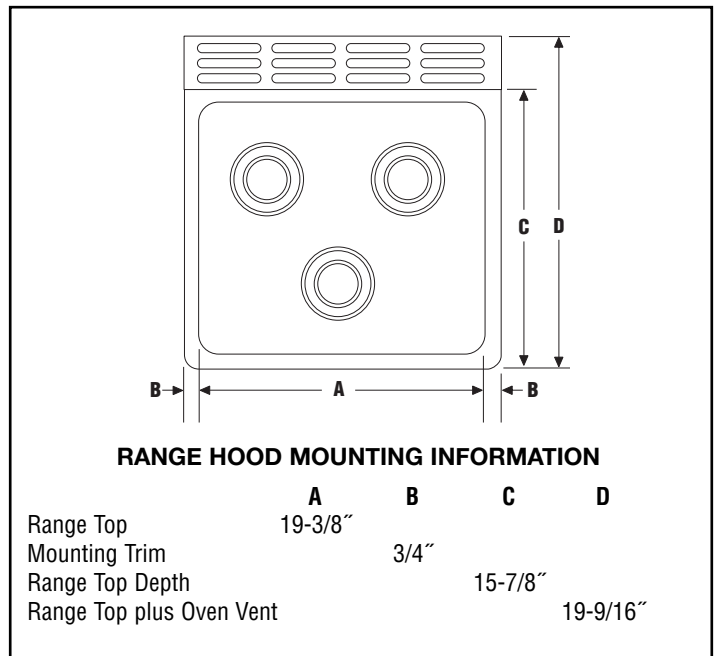
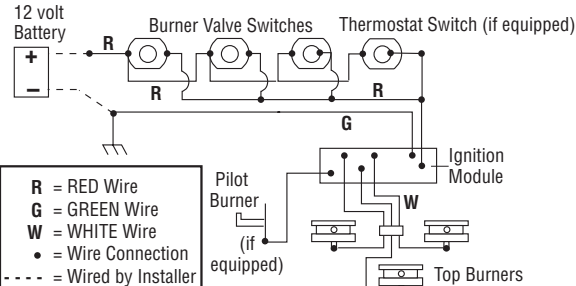
RECESSED BI-FOLD COVER - COUVERCLE PLIANT EN DEUX PARTIES ENCASTRE

LAMINATE MATERIAL MATÉRIAU STRATIFIÉ	MPD PART #	RV & RA OVEN			CV & CA SLIDE-IN	CUT OUT DIMENSIONS - DIMENSIONS DE LA DECOUPE					
		17"	21"			A	B	C	D	E	F
1/4" 6 mm	56397	16.0"	20.0"	3.0"	17.75"	20.0"	2.31"	24.5"	2.13"	20.25"	
		406 mm	508 mm	76 mm	451 mm	508 mm	59 mm	622 mm	54 mm	514 mm	
1/32" .8 mm	56391	16.0"	20.0"	3.0"	17.75"	20.0"	1.84"	24.5"	2.13"	20.25"	
		406 mm	508 mm	76 mm	451 mm	508 mm	47 mm	622 mm	54 mm	514 mm	

SCHEMATIC DIAGRAM FOR ELECTRONIC IGNITION MODELS



CONNECTION DIAGRAM FOR ELECTRONIC IGNITION MODELS



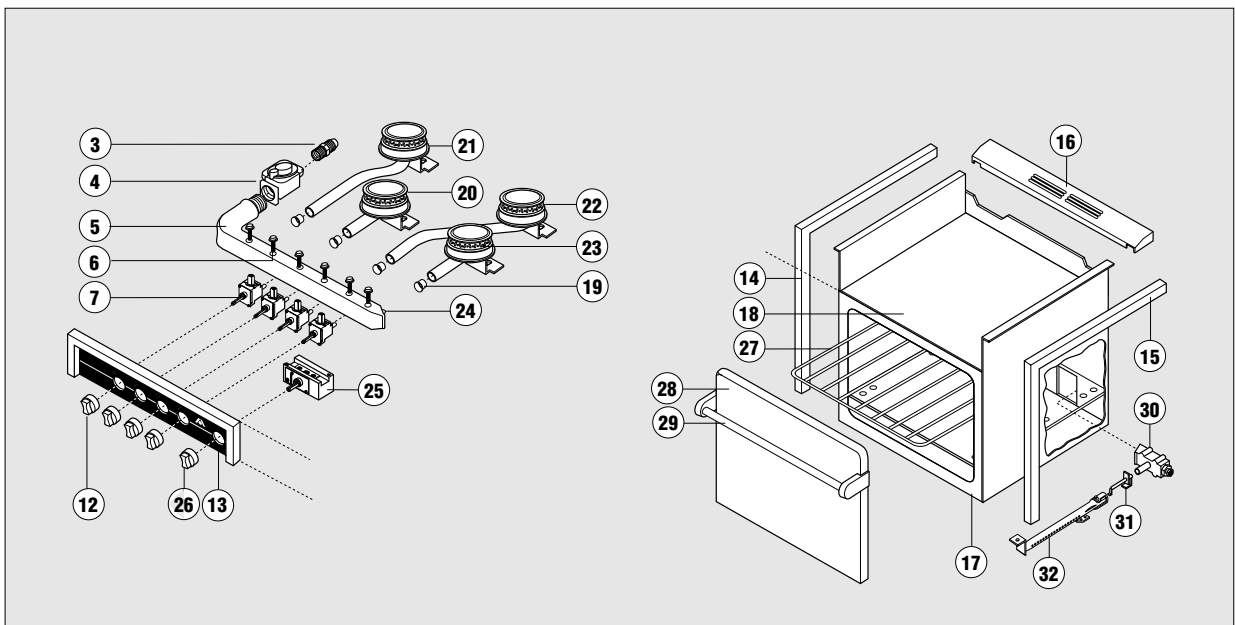
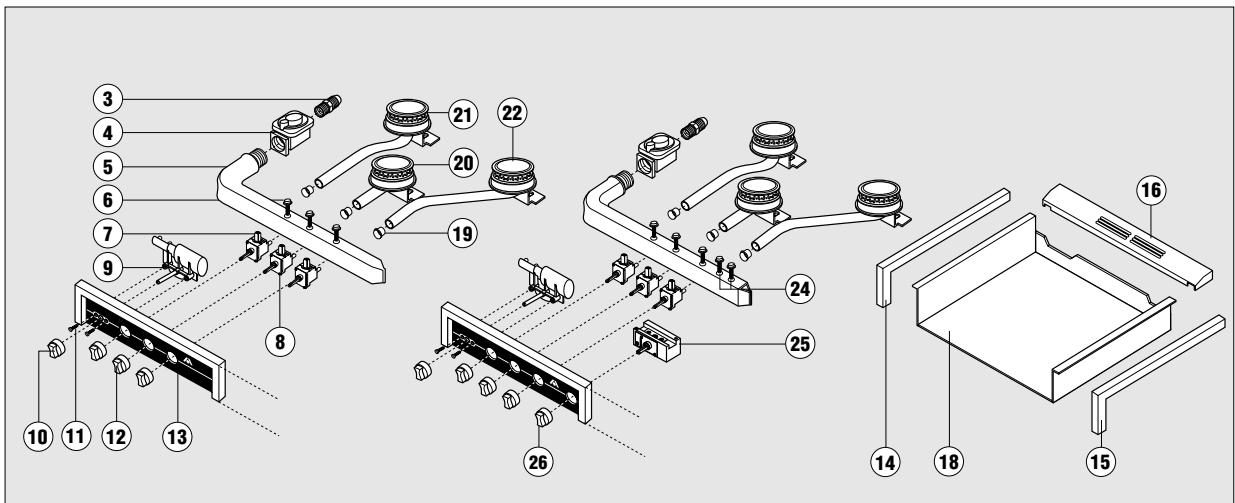
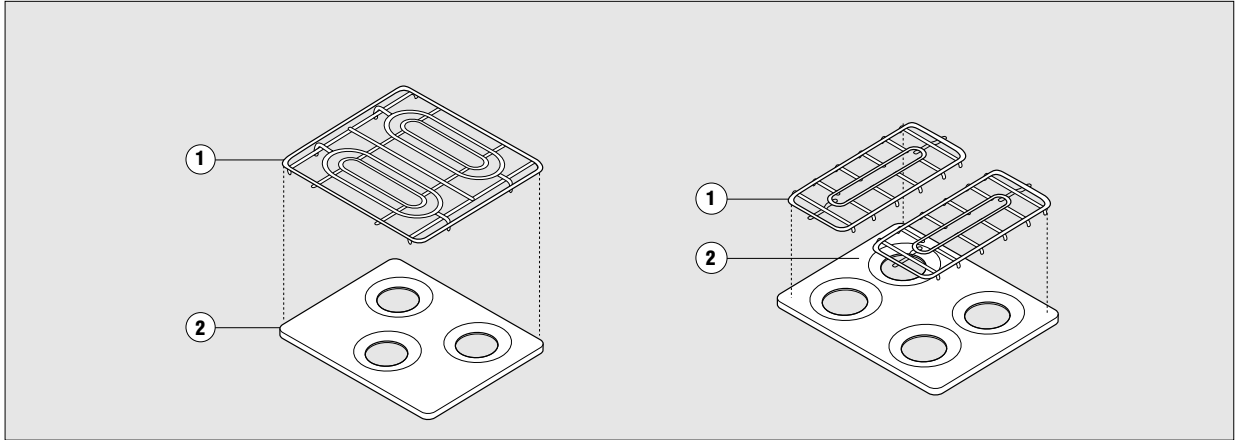


Atwood Mobile Products LLC
1120 North Main Street • Elkhart, IN 46514
PHONE: 574-264-2131 FAX: 574-262-2550
INTERNET: <http://www.atwoodmobile.com>

C-37, C-38
R-1737, R-1738, R-1746
R-2137, R-2138, R-2146

PART REFERENCE

Effective: 10/1/96



WEDGEWOOD - Oven & Slide-In Cooktop Part Reference

ITEM	C-37	C-38	R-1737	R-1738	R-1746	R-2137	R-2138	R-2146	DESCRIPTION
1	56271	56271	56271		53007 (2)		56271	53007 (2)	Grate (1-piece)
2	53582	53582	53582	53582		53582	53582		*Range, Top (2 hole) ALMOND
2	53583	53583	53583	53583			53583		*Range, Top (2 hole) BLACK
2	53584	53584	53584	53584	53584	53584	53584		*Range, Top (2 hole) WHITE
3	52294	52294	52294	52294	52294	52294	52294	52294	Fitting, Brass
4	51062	51062	51062	51062	51062	51062	51062	51062	Pressure Regulator
5	56072	56072	56160	56160		56160			3-Burner Manifold
6	56088	56088	56088	56088	56091	56088	56088	56091	Valve thru Bolt
	53200	53200	53200	53200		53200	53200		Valve, Burner-MINI 6500 BTU (2)
8	53201	53201	53201	53201		53201	53201		Valve, Burner-MINI 9000 BTU (1)
9	56096	56096	56096	56096		56096	56096		Piezo Igniter
10	51344	51344	51344	51344		51344	51344		Piezo Knob
11	51337	51337	51337	51337		51337	51337		#10 x 3/8" Screw (2)
12	56148	56148	56148	56148	51056 (2)	56148	56148	51056 (2)	Knob, burner
N/S	56097	56097	56097	56097		56097	56097		Wire Assembly (3)
13	56106	56106	56108	56108	56115	56108	56108	56115	Control Panel Assembly Matchlit
	56105	56105	56107	56107	56115	56107	56107	56115	Control Panel Assy w/ piezo
14	53019	53019	53021	53021	53021	53023	53023	53023	Trim, left hand top & side (blk)
15	53020	53020	53022	53022	53022	53024	53024	53024	Trim, right hand top & side (blk)
16	53525	53525	53525	53525	53525	53525	53525	53525	Trim, vent (black)
17			53526	53526	53526	53526	53526	53526	Trim, bottom (black)
18	51685	51685	51684	51684	51684	51684	51684	51684	Burner Box
19	53011	53011	53011	53011	53011	53011	53011	53011	Burner Bushing
20	56071	56071	56071	56071		56071	56071		Burner, ctr (hi output) Matchlit
	56068	56068	56068	56068		56068	56068		Burner, ctr (hi output) w/Electrode
					56257			56257	Burner, left front
21	56069	56069	56069	56069	56259	56069	56069	56259	Burner, left rear Matchlit
	56066	56066	56066	56066		56066	56066		Burner, left rear w/ electrode
22	56070	56070	56070	56070	56260	56070	56070	56260	Burner, right rear Matchlit
	56067	56067	56067	56067		56067	56067		Burner, right rear w/ electrode
23					56258			56258	Burner, right front
24			52120	56125	56125	52120	56125	56125	Screw, Thermostat (2)
25			NA	56116		NA	56116		Thermostat, oven control
26			53001	56171		53001	56171		Knob, oven thermostat
27			51069	51069	51069	51069	51069	51069	Oven rack
						NO LONGER AVAILABLE			Door assembly
						NO LONGER AVAILABLE			Enamel door liner w/window
						NO LONGER AVAILABLE			Enamel door liner
						NO LONGER AVAILABLE			Solid door panel
N/S						NO LONGER AVAILABLE			Insert, black glass
						NO LONGER AVAILABLE			Insert, black glass w/window
N/S			51421	51421	51421	51421	51421	51421	Window, inner assembly
29			51112	51112	51112	51112	51112	51112	Oven Door Handle
30				56120	56120		56120	56120	Safety Valve
31			51065	56121	56121	51065	56121	56121	Pilot Assembly
			51063			51063			Pilot Assembly-MSV valve
32			52018	56123	56123	52018	56123	56123	Burner, oven
N/S			51060	51060	51060	51061	51061	51061	KIT - Door Seal
N/S		51071	51071	51071	51071	51071	51071	51071	KIT-Designer Acc.
N/S			51067	51068	51067	51068	51068	51068	KIT - Gas Tube Kit
N/S	56150	56150	56150	56150	50005	56150	56150	50005	Grate Clip (2)
N/S	53008	53008	53008	53008	53008	53008	53008	53008	Grate Boots
N/S	51129		51128	51127		51128	51127		◆Knob Kits

*When replacing top you MUST replace grate

◆When replacing Burner Knobs use Knob Kit

Wedgewood - Range & Cooktops
PART REFERENCE
JANUARY 2007

	R-1730	R-1735	R-1736	R-2136	R-2140	R-2145	C-30	C-35	C-36	C-40	C-45
AAGrates											
51007 Tension	X				X		X			X	
53006 Top, single		X						X			
53007 Designer, Dual ⌘		⌘			⌘	⌘		⌘		⌘	⌘
53050 Top (2)	No longer available (use 56271)										
56271 Hi BTU one piece (1) 2 hole			X	X					X		
Flash Tubes											
51089 Top Lighter Kit	No longer available										
51216 Flash Tube (long) Piezo ❖	❖	❖			❖	❖	❖	❖		❖	❖
51245 Flash Tube ❖			❖	❖					❖		
51088 Top Lighter Kit	No longer available										
51089 Top Lighter Kit	No longer available										
Burner											
51235 Burner, RIGHT REAR	No longer available										
51243 Burner, RIGHT REAR	No longer available										
53070 Burner, RIGHT REAR	No longer available										
51233 Burner, RIGHT FRONT	No longer available										
51241 Burner, RIGHT FRONT	No longer available										
51233 Burner, CENTER FRONT	No longer available										
51234 Burner, LEFT REAR	No longer available										
51242 Burner, LEFT REAR	No longer available										
53068 Burner, LEFT REAR	No longer available										
51232 Burner, LEFT FRONT	No longer available A										
51240 Burner, LEFT FRONT	No longer available										
51244 Burner, CENTER FRONT	No longer available										
53069 Burner, CENTER (high output)			X	X							
52018 Burner, OVEN ⌘	⌘	⌘	⌘	⌘	⌘	⌘					
Air Shutter											
51208 Air Shutter	X	X	X	X	X	X		X	X		X
51062 Pressure Regulator Kit											
Manifold - Robertshaw											
52125 3 burner manifold	No longer available										
52126 3 burner manifold, silver square R.S.	No longer available										
53049 3 burner manifold, silver square R.S.	No longer available										
52284 4 burner manifold, black square R.S.	No longer available										
Burner Valves											
51096 valve	No longer available										
52123 valve	No longer available										
Supply Valves											
51066 Top Pilot Valve Kit ❖		❖				❖		❖		❖	❖
52282 Top Lighter ❖											
53014 Rear Valve			X	X			X				
53047 High Output Valve ❖			❖	❖			❖				

❖ NLA - No longer available ⌘ While supplies last

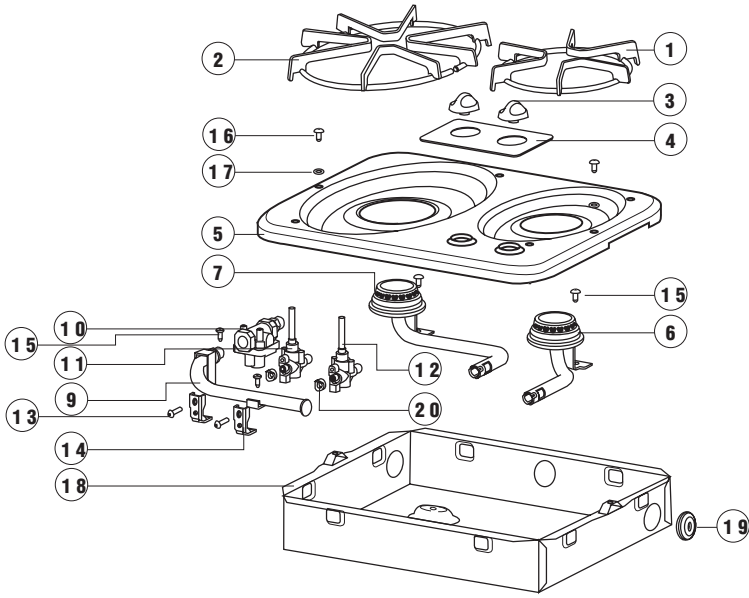
Wedgewood - Range & Cooktops
PART REFERENCE
JANUARY 2007

	R-1730	R-1735	R-1736	R-2136	R-2140	R-2145	C-30	C-35	C-36	C-40	C-45
Safety Valve											
51063 Safety Valve Kit	No longer available										
51177 Safety Valve	No longer available										
High Output Spark Igniter Assembly											
53078 High Output Spark Igniter Assembly	No longer available										
Piezo											
52279 Piezo Push Button ❖		❖	❖	❖		❖	❖	❖		❖	❖
Thermostat											
51095 Oven control (fits black square manifold)	No longer available										
52122 Oven control (fits grey manifold)	No longer available										
Trim											
53021 Left Hand, top & side - black	No longer available										
53023 Left Hand, top & side - black	No longer available										
53523 Left Hand, top & side - black	No longer available										
53022 Right Hand, top & side - black	No longer available										
53024 Right Hand, top & side - black	No longer available										
53524 Right Hand, top & side	No longer available										
53025 Vent, black ❖	❖	❖		❖	❖	❖					
53525 Vent, black ❖			❖								
53526 Bottom, black - ⌘	⌘	⌘	⌘	⌘	⌘	⌘					
53668 Bottom	No longer available										
Manifold Cover											
53072 Manifold Cover, black	No longer available										
53553 Manifold Cover, black	No longer available										
53556 Manifold Cover, black	No longer available										
Burner Box											
51684 Burner Box ❖	❖	❖	❖	❖	❖	❖					
51685 Burner Box ❖									❖	❖	❖
Oven Rack											
51069 Oven Rack	X	X	X	X	X	X					
Shelf											
51657 Oven Bottom	No longer available										
Pilot Assembly											
51065 Oven ❖	❖	❖	❖	❖	❖	❖					
52242 Oven	No longer available										
Knobs											
51056 Burner - package of 2	X	X	X	X	X	X		X	X	X	X
51057 Thermostat Knob ❖	❖	❖	❖	❖	❖	❖					
Kits											
51076 3-Burner Igniter Kit	No longer available										
51077 4-Burner Igniter Kit	No longer available										
51067 Gas Tube Kit - 17"	X	X									
51068 Gas Tube Kit - 21"					X	X					
Grate Boots & Clips											
53160 Grate Boots & Clips ❖			❖	❖					❖		

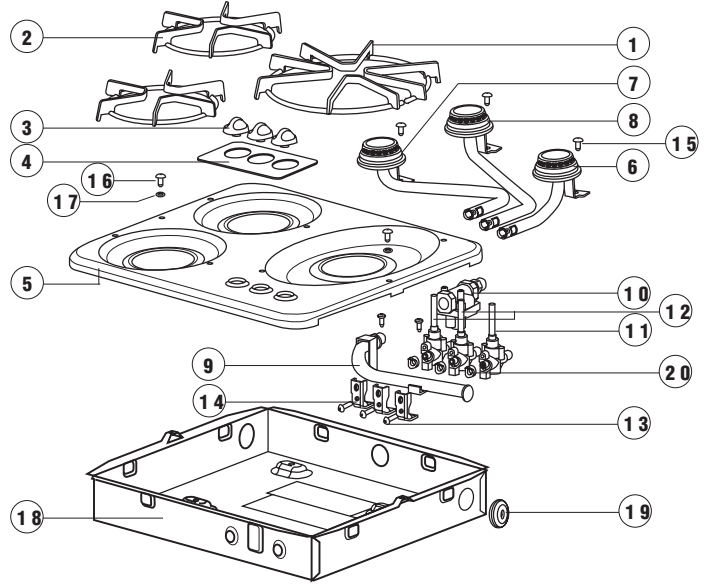
❖ NLA - No longer available ⌘ While supplies last



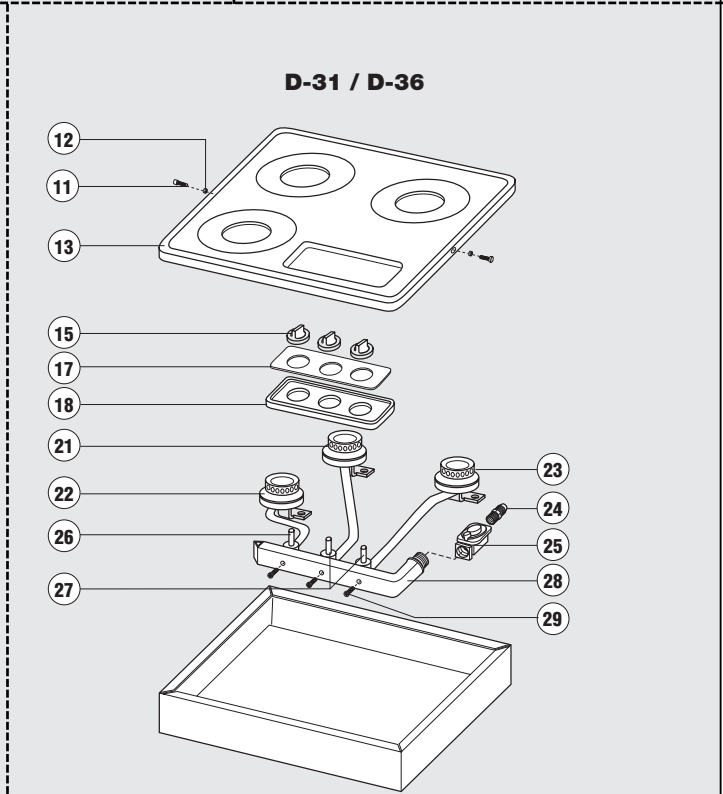
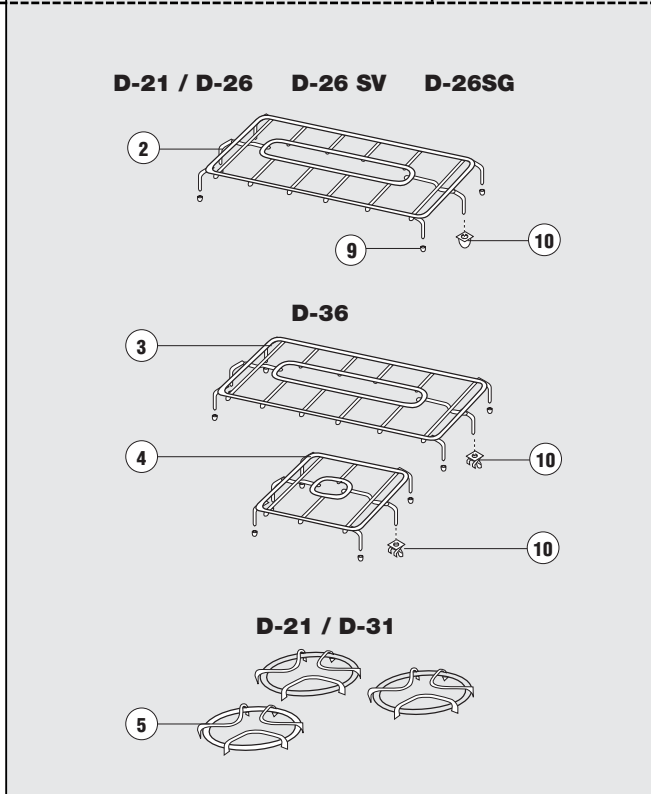
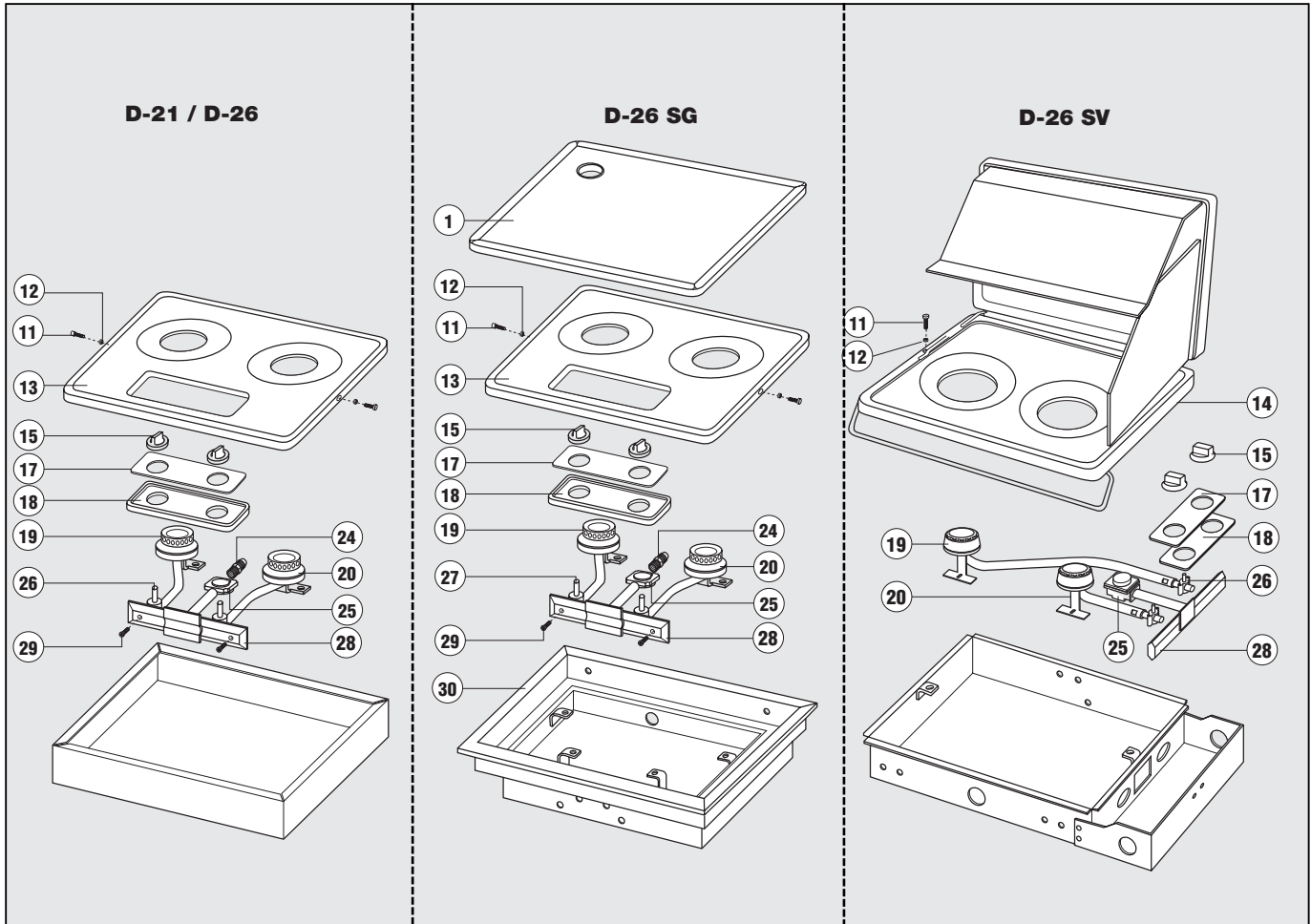
DV 20

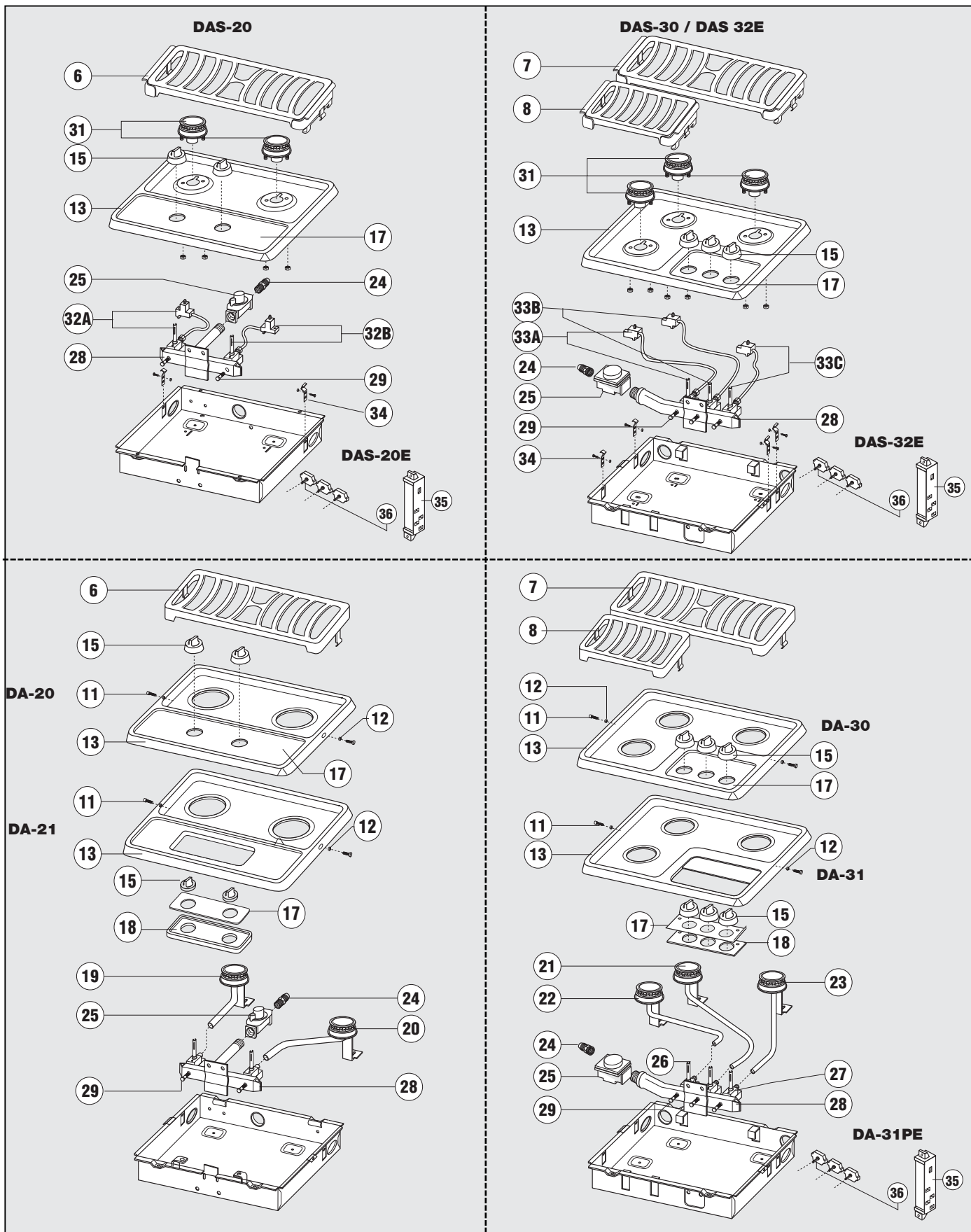


DV 30



ITEM	DESCRIPTION	DV20	DV30
1	Round Grate	56378	56378 (2)
2	Oval Grate	56379	56379
3	Burner Knob	56380 (2)	56380 (3)
4	Label	56388	56491
5	Top - WHITE	57118	57115
	Top - BLACK	57119	57116
	Top - STAINLESS STEEL	57099	57102
6	Right Burner	56385	56483
7	Left Front Burner	56384	56482
8	Left Rear Burner	NA	56481
9	Manifold Pipe	56383	56478
10	Regulator	51062	51062
11	Valve 7200 Btu/h	56468	56468
12	Valve 5200 Btu/h	56469	56469 (2)
13	Screw-Valve	56480 (2)	56480 (3)
14	Valve Bracket	56479 (2)	56479 (3)
15	Screw-Burner	51325 (4)	51325 (5)
16	Screw-Top	56377 (2)	56377 (2)
17	Nylon Washer	52434 (2)	52434 (2)
18	Burner Box	56498	56476
19	Inlet Pipe Grommet	92610	92610
20	Gasket, Valve	56366 (2)	56366 (3)





Drop-in Cooktops PART REFERENCE JANUARY 2007		D-21 / D-26	D-26SV	D-26SG	D-31 / D-36	DA-20	DA-21	DA-30	DA-31	DA-31PE	DAS-20 / DAS-20E	DAS-30	DAS-32E
Item	Burner												
19	56073 Burner, LEFT	X		X									
19	56075 Burner, LEFT		X										
19	56212 Burner, LEFT					X	X						
32A	56302 Burner, LEFT (VALVE/TUBE ASSEMBLY) OBS [⌘]										X		
20	56074 Burner, RIGHT	X		X									
20	56076 Burner, RIGHT		X										
20	56213 Burner, RIGHT					X	X						
32B	56303 Burner, RIGHT (VALVE/TUBE ASSEMBLY) OBS [⌘]										X		
21	56083 Burner, LEFT REAR				X								
21	56215 Burner, LEFT REAR							X	X				
21	56234 Burner, LEFT REAR									X			
32A	56304 Burner, LEFT (VALVE/TUBE ASSEMBLY) OBS [⌘]										X		
22	56214 Burner, LEFT FRONT							X	X				
22	56082 Burner, LEFT FRONT				X								
22	56235 Burner, LEFT FRONT									X			
31	56305 Burner, LEFT OBS [⌘]										X		
23	56084 Burner, RIGHT REAR				X								
23	56216 Burner, RIGHT REAR							X	X				
23	56233 Burner, RIGHT REAR									X			
31	56306 Burner, RIGHT REAR (VALVE/TUBE ASSEMBLY)										X		
31	56307 Burner, SEALED (PLAIN)										X	X	X
31	56208 Burner, SEALED (BLACK)										X	X	X
31	56207 Burner, ELECTRONIC IGNITION (PLAIN)										X	X	X
31	56325 Burner, ELECTRONIC IGNITION (BLACK) OBS [⌘] USE 56207										X	X	X
	Control Panel Label												
17	52539 Black label	X											
17	52437 Black label		X										
17	51454 Black label			X									
17	52540 Black label				X								
17	56346 Black label					X							
17	57700 Black label						X						
17	56347 Black label							X					
17	57051 Black label (Before S.N. B0220)								X				
17	53126 Black label (After S.N. B0200)								X				
17	57050 Black label (Before S.N. B0200)									X			
17	53126 Black label (After S.N. B0200)									X			
17	56350 Black label 56348 White label										X		
17	56351 Black label 56349 White label											X	
17	57052 Black label												X
	Cover												
	56204 Cover OBS			X									
	56205 Frame			X									
13	51443 Cooktop & Cover Asbly OBS			X									
	Electronic Ignition												
35	56162 12V Ignition Module									X	X		X
36	56184 Ground Lead									X			X
36	56165 Electrode Lead									X	X		X
	Fitting, Brass												
24	52294 Fitting, Brass	X	X	X	X	X	X	X	X	X	X	X	X
2,5	51007 Medallion Grate	(2)			(3)								

Drop-in Cooktops PART REFERENCE JANUARY 2007		D-21 / D-26	D-26SV	D-26SG	D-31 / D-36	DA-20	DA-21	DA-30	DA-31	DA-31PE	DAS-20 / DAS-20E	DAS-30	DAS-32E
Item	Grates												
2	53304 Designer Grate	X	X	X									
3	53303 Designer Grate, Rear				X								
4	53302 Designer Grate, Front				X								
6	53436 Stamped Steel Grate					X	X						
7	53437 Stamped Steel Grate, Rear OPEN							X	X	X			
8	53438 Stamped Steel Grate, Front OPEN							X	X	X			
6	53439 Stamped Steel Grate OBS										X		
7	53441 Stamped Steel Grate, Rear SEALED OBS											X	X
8	53442 Stamped Steel Grate, Front SEALED OBS											X	X
	Grate Boots & Clips												
10	53301 Grate Clips	(2)	(2)	(2)	(4)								
	51410 Grate Top Clip N/S									(4)	(2)	(4)	(4)
	53008 Grate Boot	(4)	(4)	(4)	(8)								
	Knobs												
15	53000 Burner Knob	(2)	(2)	(2)	(3)								
15	56129 Burner Knob					(2)	(2)	(3)	(3)	(3)	(2)	(3)	(3)
	Manifold												
18	52523 Manifold Cover	X		X					X	X			
18	52524 Manifold Cover OBS				X								
18	52516 Manifold Cover						X						
28	56079 Manifold Pipe OBS ⌘	X	X	X		X	X				X		
28	50160 Manifold Pipe OBS ⌘							X	X	X		X	X
	Misc.												
	52016 Thumb screw					X	X	X	X			X	
	52537 Thumb screw	X	X	X	X								
	52434 Nylon Washer (2)	X	X	X	X	X	X	X	X			X	
	Pressure Regulator												
25	51062 Pressure Regulator	X	X	X	X	X	X	X	X	X	X	X	X
	Top, Cook												
	Almond top ORDER BY COLOR NLA												
13	Black top ORDER BY COLOR												
13	White top ORDER BY COLOR												
	Valve												
	53124 6500 Linear Valve after SNA B020									(1)			
	53114 5200 Linear Valve after SN B020									(2)			
27	56090 Valve, Burner-6500 BTU	(2)	(2)		(1)		(2)		(1)	(1)			
27	56300 Valve, Burner-6500 BTU			(2)		(2)		(1)					
27	56089 Valve, Burner-5200 BTU			(2)	(2)				(2)	(2)			
27	56301 Valve, Burner-5200 BTU							(2)					
36	56145 Valve Ignition Switch									(3)	(2)		
36	57055 Valve Ignition Switch												(3)
	Valve thru Bolt												
29	56091 Valve thru Bolt	(2)	(2)	(2)	(3)	(2)	(2)	(3)	(3)	(3)	(2)	(3)	(3)
	Wire Harness												
	56164 Wire Harness									X	X		X
	Valve Tube Assembly												
32A	56302 Left OBS ⌘										X		
32B	56303 Right OBS ⌘										X		
33A	56305 Left front OBS ⌘											X	
33B	56304 Left rear OBS ⌘											X	
33C	56306 Right rear OBS ⌘											X	
33A	56309 Left front												X
33B	56308 Left rear												X
	OBS - Obsolete ⌘ While supplies last												

hydro flame™ Furnace Table of Contents

• Recommended Tools & Equipment	2
• 79/80 Series	
• Model Identification	3
• 79-II Directional Air Box Insert.....	4
• 85 Series	
• Model Identification	5
• 89 Series & 2-Stage Model	
• Model Identification	6
• Wiring Diagrams	
• 7900-II/8000-II Series	7
• ACCS.....	8
• 8500 Series.....	9-10
• 8900-III Series & 79 / 85 / 89 with blower control ignition board.....	11
• 2-Stage Furnace & Diagnostic Chart.....	12
• Sequence of Operation	
• DC Models	13
• DC Models (standard 1-Stage)	14
• Pilot Models.....	15
• AC Models	16
• DC Models (2-Stage Excalibur)	17
• Safety, Warnings & Annual Preventative Maintenance Inspection	18
• Model 1H2C Digital Thermostat	19
• Model 2H2C Digital Thermostat	20
• Furnace Parts	
• Mechanical Thermostat.....	21
• Trouble Shooting Guide	
• Thermostat	22
• Furnace Parts	
• Circuit Breaker & Motor.....	23
• Circuit Boards	23
• Relay	24
• Sail Switch	24
• Limit Switch	24
• Dual Solenoid Gas Valve	25
• Burner Head, Electrode & Valve Assembly	25
• The 4 Always (Gas Pressure, Voltage, Ducting, Return Air)	26-27
• Quick Diagnostics for 2-Stage Furnaces	28
• Trouble Shooting Guides	
• Electronic Ignition Models	29-30
• Pilot Model.....	31-32
• Furnace Terminology	33-34
• Furnace Parts Breakdowns	
• 7900-II/8000-II Series	35
• 8500-III Series	36
• 8500-IV Series.....	37
• 8500-IV LD Series.....	38
• 8900-III Series	39
• 8900-III LD Series	40
• 2-Stage 8500-IV Model 1522 & 2334	41
• 2-Stage 8500-IV LD Model 1522 & 2334	42
• 2-Stage 8900-III Model 2540	43
• 2-Stage 8900-III LD Model 2540	44
• Replacement Part Reference	
• 85-IV 16, 85-IV 20, 85-IV 25, 85-IV 31, 85-IV 35, 1522, 2334 2-STAGE & R-25	45-47
• 7912-II, 7900-II 16 & 20, 8012-II, 85-III 16-20, 85-III 25, 85-III 31-35, 89-III DC, 89-III AC, 2540 2-STAGE.....	48-51
• 85-II 16-20, 85-II 25, 82-II 31-35, 89-I DC, 89-I AC, 89-II DC, 89-II AC, FA 79D, FA 79P, HF 80D, HF 80P	52-54
• 85-I 16-20, 85-I 25, 85-I 31-35, DC82 25-32, DC82 35-41, AC 82, FA 76D, FA 78 25-32, FA 72D, FA 72P	55-56
• Atwood Furnace Installation Parts	57-58

Recommended Tools and Equipment

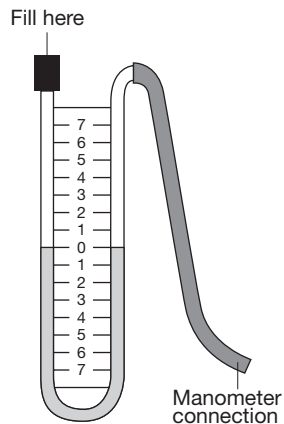
U-Tube Manometer - This is the most accurate device for measuring gas pressure. If you use a dial-type manometer, it should be calibrated periodically with this type of manometer.

Slack Tube Manometer - A more portable U-Tube Manometer.

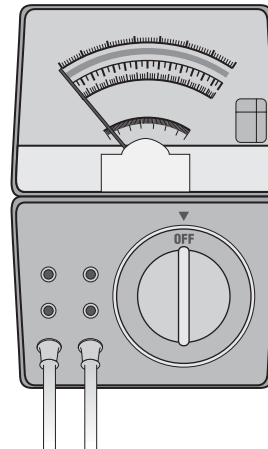
Multi-meter - This is the most effective meter capable of reading voltage, amperage and continuity. A test light cannot give you specific enough information to trouble-shoot a furnace properly.

U-TUBE MANOMETER

with 1/8" pipe nipple

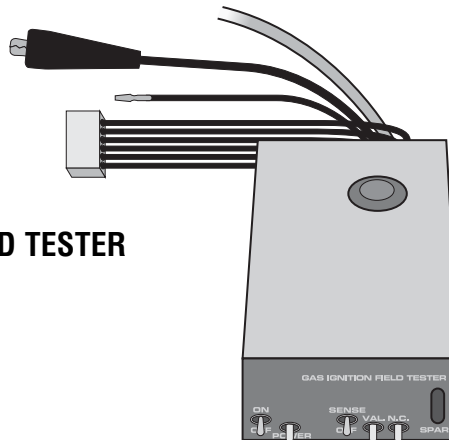


VOLT OHM-AMP METER



Circuit Board Tester - P/N 32779 - This is a table top device that will test all furnace circuit boards. It will specifically test the following board functions: power, spark, lamp, sense and valve. It will test Fenwal and Channel circuit boards.

CIRCUIT BOARD TESTER



Air Speed Indicator - This hand held device will let you determine air flow out of a heat register. It will help you isolate restricted ducting.

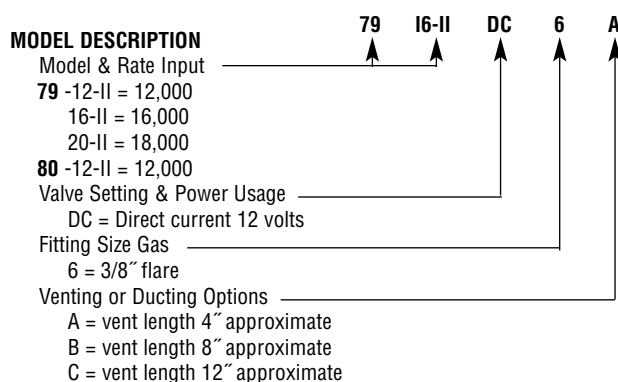
Incline Manometer - This meter measures the static pressure of the furnace cavity. It provides an x-ray of the total heating system. It will indicate if all of the heat being produced by the furnace is being sufficiently distributed out to the heat registers.

Long-handled Allen Wrenches (9/64" and 1/8") - These two wrenches are necessary to remove the blower wheel and the combustion wheel.

Common Hand Tools - 1/4" nut drivers, open end wrenches, flat blade and Phillips screw drivers.

Leak Test Solution - A solution that bubbles when applied to gas fittings or connections showing where a gas leak is present.

79 / 80 Series Model Identification



Applications - This unit is typically installed in tent campers, truck campers and small travel trailers due to its small size and lower BTU capacities. It is sometimes used in larger trailers or motor homes for smaller zone heating.

Heat Outlets - This furnace is usually set up as a front discharge unit. However, it does have a 4" duct outlet on either side of its casing for soft ducting to remote outlets. To determine the most efficient ducting configuration, refer to **Minimum Ducting Configuration**.

Directional Air Box Insert - If you need to direct heat to the front or rear of a camper and you cannot use soft ducting and registers, an optional diverter plate with 55 degree louvers can be added to the front exhaust box.

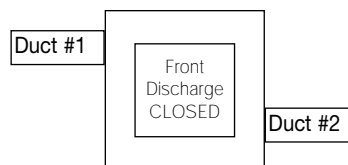
Serviceability - Practically all of the components of this furnace are accessible by removing the front grille. Therefore, the furnace does not need to be removed for most repairs. The only components that are not accessible without removing the furnace are the blower motor, sail switch and blower and combustion wheels.

Power Consumption - The 79 series furnace draws only 3.4 amps. However, there is an 8012 series furnace that has a heating capacity of 12,000 BTU's and only draws 1.8 amps. This furnace is ideal for dry camping.

MINIMUM DUCTING CONFIGURATION

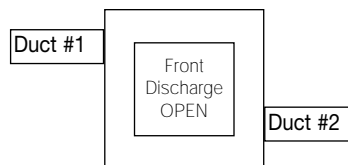
7912-II 7916-II 7920-II - SIDE DISCHARGE UNITS -

Provides the most air flow and heat to remote heat outlets. The duct runs need to be as short and straight as possible for optimal heating.



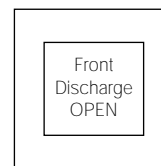
7912-II 7916-II 7920-II - SIDE DISCHARGE UNITS - with front discharge-

The majority of the heat discharges out the front. A minimal amount of heat will pass through the side ducts. These duct runs need to be as short as possible. An optional air diverter with 55° angle vanes can be added to front discharge opening to direct heat fore or aft in the trailer.



8012-II 7912-II 7916-II 7920-II - FRONT DISCHARGE UNITS - no ducts allowed on 8012-II

The heat discharges only through the front. The optional air diverter noted above can be added to front discharge opening to direct heat for or aft in the trailer.



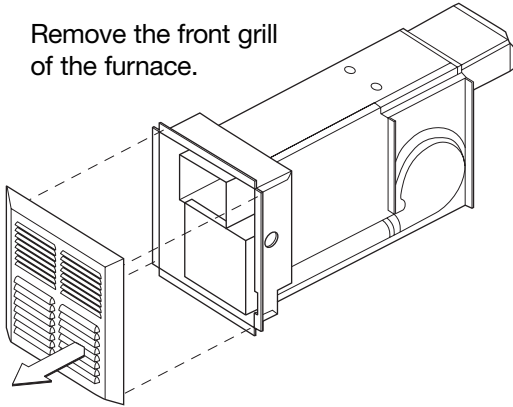
RETURN AIR REQUIREMENTS

Return air is provided through the front door grill - approximately 33 square inches (213cm²). If the furnace is installed at zero clearance, an additional 16 square inches (103cm²) of return air must be provided to the blower wheel side of the furnace.

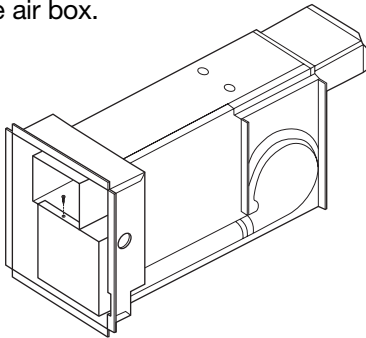
79-II Directional Air Box Insert (PN 36959)

An air discharge diverter is now available for all 79 series furnaces. This insert has fins that are set at a 55 degree angle. This will allow you to direct the heat fore or aft in the camper easier.

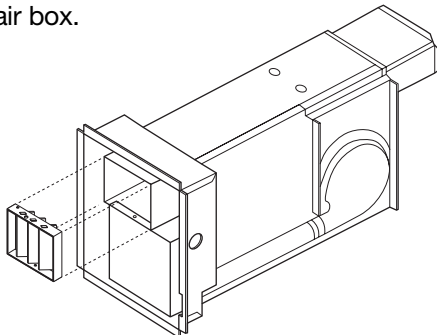
1. Remove the front grill of the furnace.



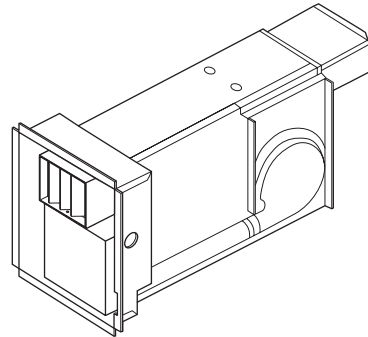
2. Follow the shutdown procedure instructions affixed to the furnace.
3. Remove the sheet metal screw that holds the circuit board plate to the air box. Retain to fasten the Air Box Insert to the bottom of the air box.



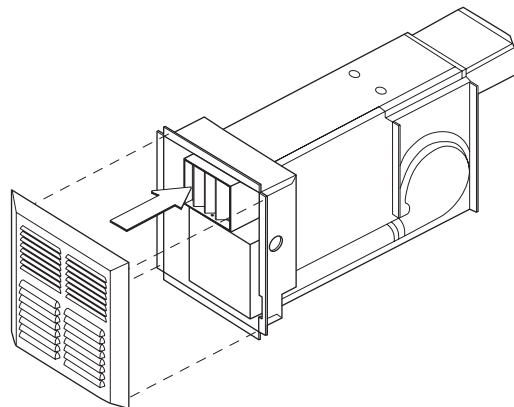
4. Install the Air Box Insert into the air box paying particular attention to the direction where you would like the warm air diverted. Make sure the two holes in the Air Box Insert line up with the existing holes in the air box.



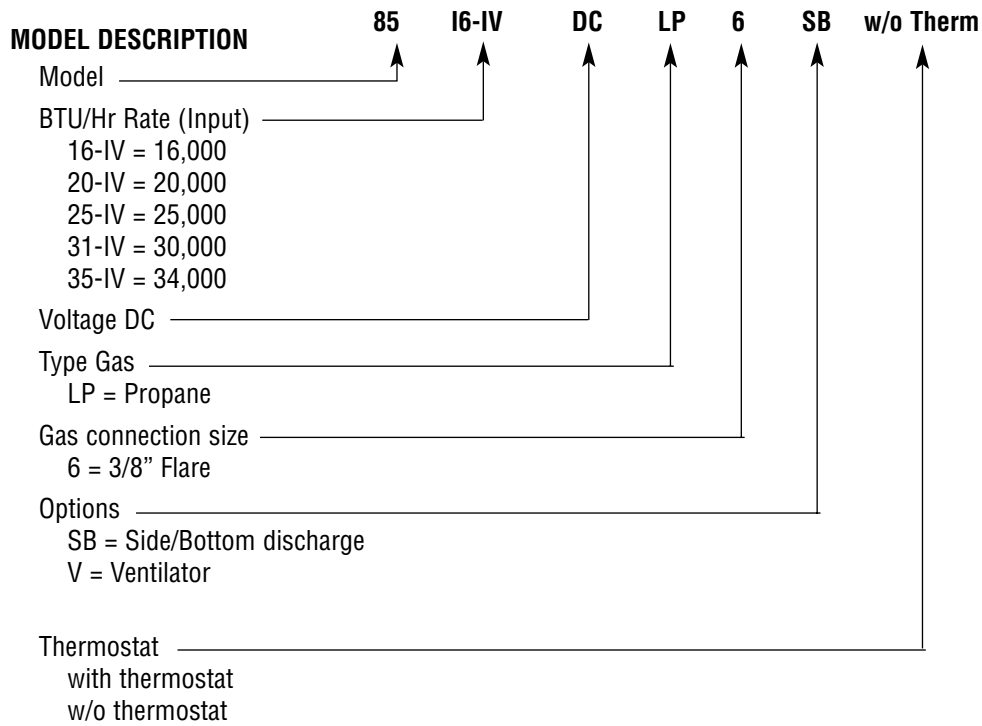
5. Fasten the Air Box Insert to the top of the air box using a 1/4" long #6 sheet metal screw. Fasten the bottom of the Air Box Insert and the circuit board plate to the bottom of the air box using the screw removed in step 3.



6. Follow the lighting instructions to place the furnace in operation.
7. Replace the front grill on the furnace.



85 Series Model Identification



NOTE: The new 85-IV series furnace, through some design changes is quieter than the previous 85 series. It incorporates some plastic components in the blower housing area to accomplish this. These components are not retro-fittable to other 85 series furnaces.

Applications - This unit is typically installed in travel trailers, 5th wheels and motor homes.

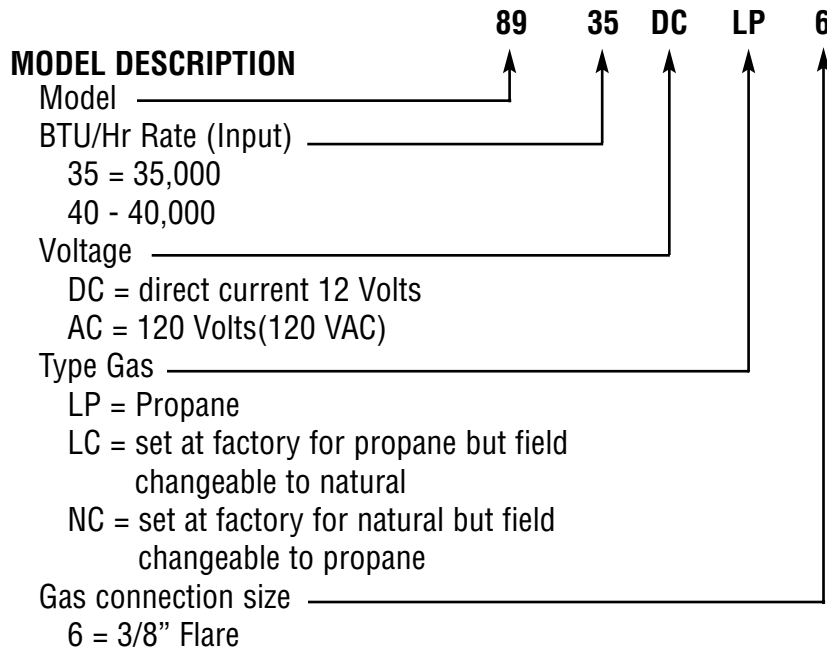
Installation - This series of furnace can be installed either vertically or horizontally. If installed vertically, the exhaust port must be located at the bottom. Extra care must also be given in sealing this type of installation. Consult the installation manual for details.

Heat Outlets - This furnace can be bottom discharged to a hard duct system, soft ducted out the back to a discharge plate into a hard duct system or completely soft ducted from a combination of the seven outlets located on both sides and back of the furnace. Refer to the installation manual for the ducting requirements of the specific model of furnace.

Serviceability - This entire furnace is serviceable without removing it from the RV. Therefore, there is no need to bench test it. All components are accessible by merely opening the access door. We strongly recommend trouble-shooting the furnace while it is installed in the RV.

Power Consumption - This furnace is designed to draw between 4.6 and 9.8 amps depending on the model of the furnace. Refer to the furnace specification decal when trouble-shooting its electrical system.

89 Series Model Identification



Applications - This unit is typically installed in large travel trailers, 5th wheels, motor homes and park model trailers.

Installation - The 89 series furnace must only be installed horizontally.

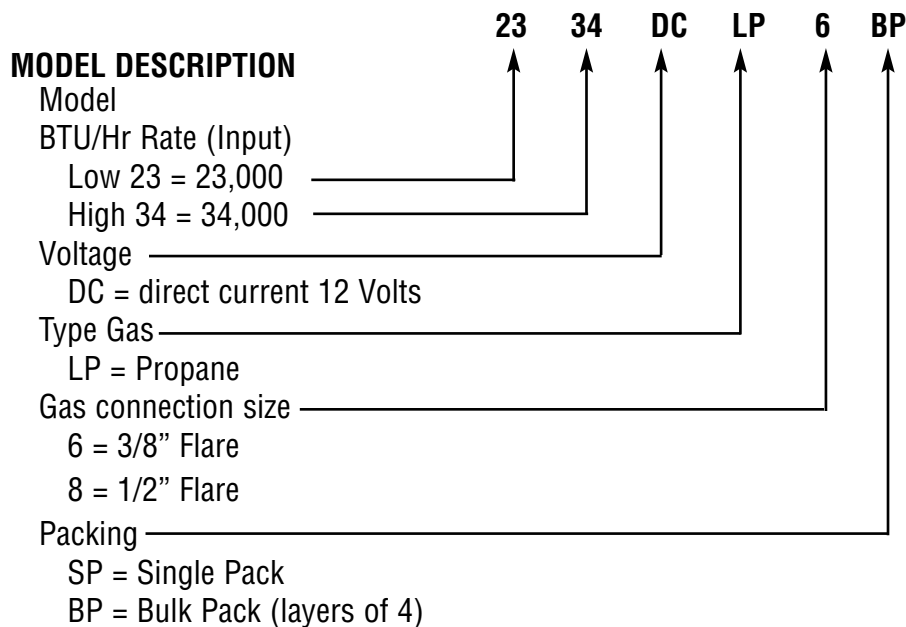
Options - As the chart above indicates, this furnace can be purchased to operate on 12VDC or 120VAC with LP gas or Natural gas. Natural gas option is only available on AC models.

Heat Outlets - This furnace can be bottom discharged to a hard duct system, soft ducted into a hard duct system or completely soft ducted from a combination of the six outlets located on both sides and back of the furnace. Refer to the installation manual for the ducting requirements of the specific model of furnace.

Serviceability - This entire furnace is serviceable without removing it from the RV. All components are accessible by merely opening the access door. We strongly recommend trouble-shooting the furnace while it is installed in the RV.

Power Consumption - The DC version of this furnace is designed to draw approximately 12.5 amps. This is important when trouble-shooting the motor of this furnace.

2-stage Model Identification

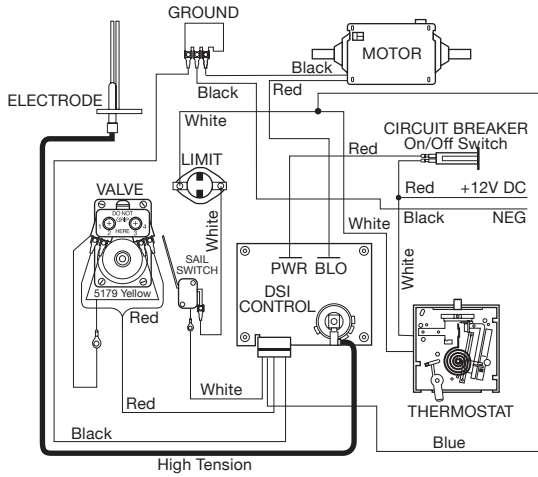


Wiring Diagram for 7900-II / 8000-II

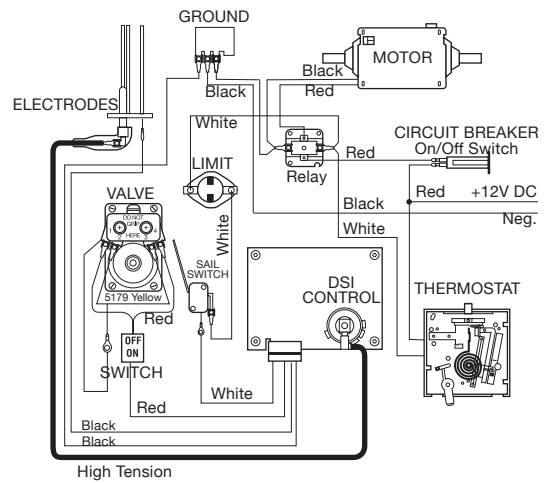
IMPORTANT

If any original wire has to be replaced, it must be replaced with type 105° C or its equivalent.

With Blower Control Ignition Board

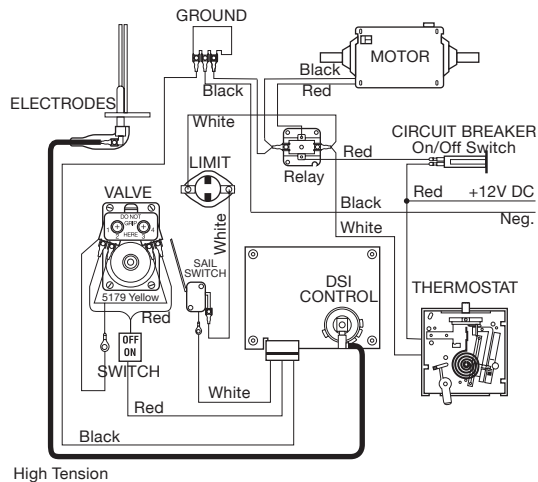


REMOTE Sense Wiring



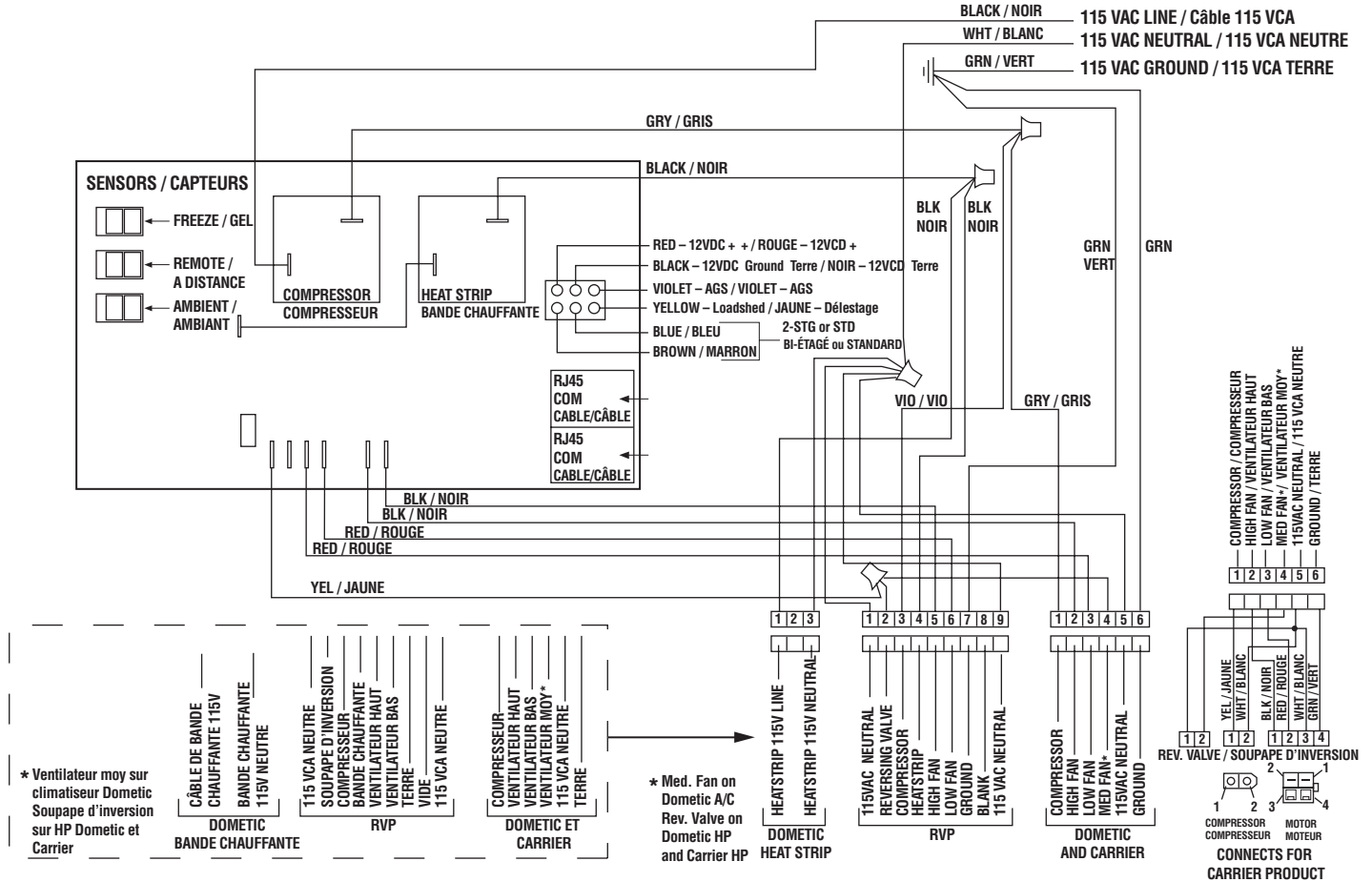
NOTE: The ON/OFF switch, located in line with the gas valve, is not used when a combination circuit breaker and ON/OFF switch is used.

LOCAL Sense Wiring



NOTE: The ON/OFF switch, located in line with the gas valve, is not used when a combination circuit breaker and ON/OFF switch is used.

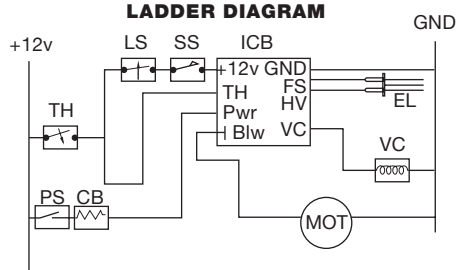
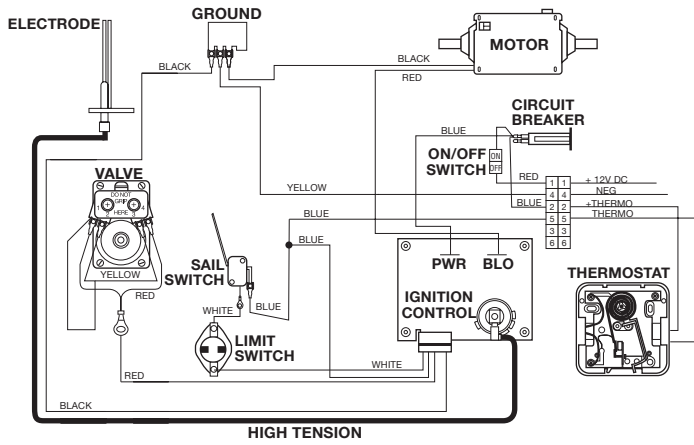
Wiring Diagram ACCS Atwood Comfort Control System



85 Series Wiring Diagrams

IMPORTANT: If any original wire has to be replaced, it must be replaced with type 105° C or its equivalent. Terminal Block on 85 Models only.

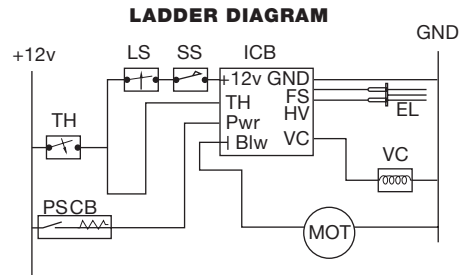
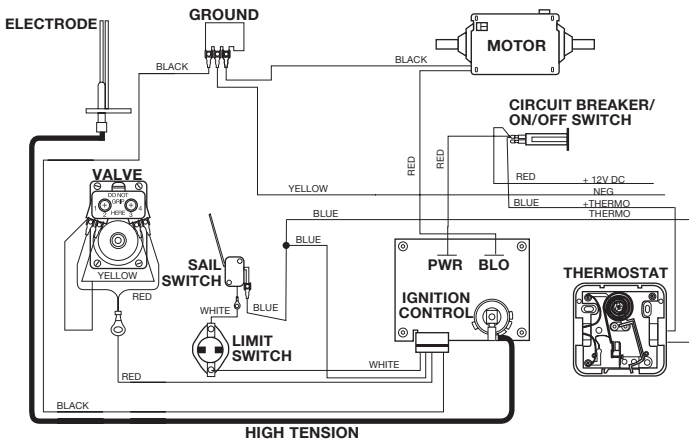
WITH DOOR and Blower Control Ignition Board



- CB = Circuit Breaker
- GND = Ground
- GV = Gas Valve
- HV = High Voltage
- EL = Electrode
- MOT = Blower Motor
- SS = Sail Switch
- TH = Thermostat
- LS = Limit Switch
- TR = Thermo Relay
- VC = Valve Control
- PS = Power Switch

NOTE: In some installations, the Power Switch (PS) may control the air conditioning system thermostat function.

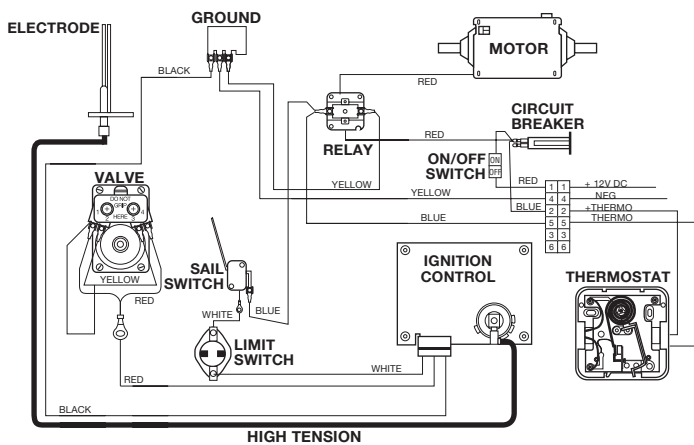
WITHOUT DOOR, but with Blower Control Ignition Board



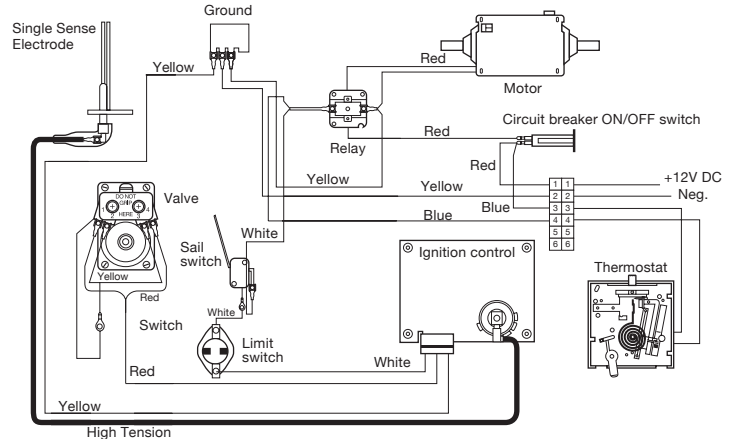
- GND = Ground
- GV = Gas Valve
- HV = High Voltage
- EL = Electrode
- MOT = Blower Motor
- SS = Sail Switch
- TH = Thermostat
- LS = Limit Switch
- TR = Thermo Relay
- VC = Valve Control
- PSCB = Power Switch/Circuit Breaker

NOTE: In some installations, the Power Switch (PS) may control the air conditioning system thermostat function.

85-IV Local Sense



85-III Local Sense

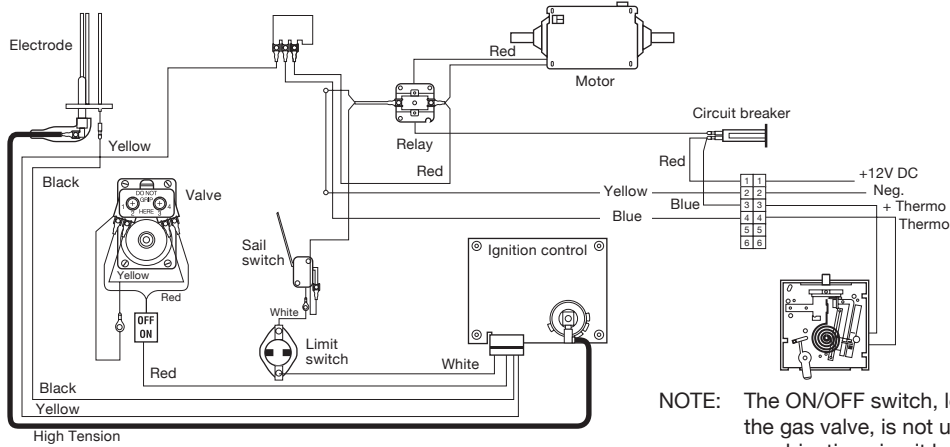


85 Series Wiring Diagrams

IMPORTANT

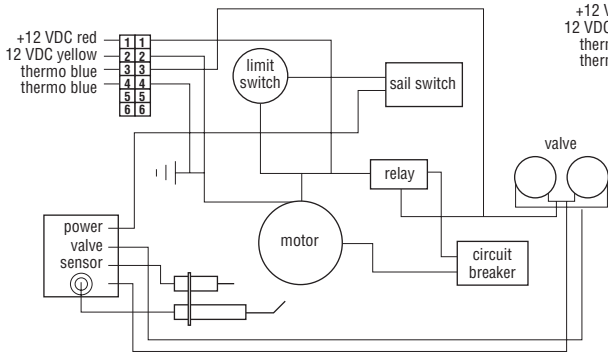
If any original wire has to be replaced, it must be replaced with type 105° C or its equivalent.

85-III Remote Sense

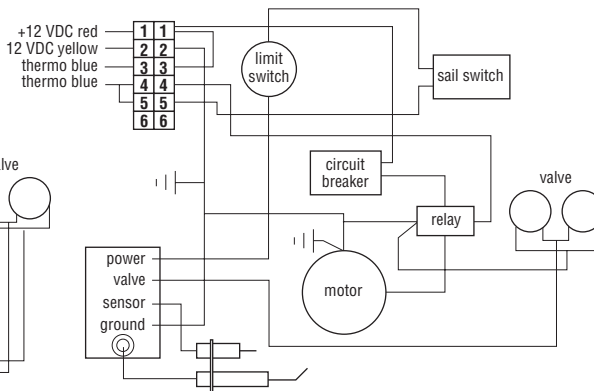


NOTE: The ON/OFF switch, located in line with the gas valve, is not used when a combination circuit breaker and ON/OFF switch is used.

85-I



85-II

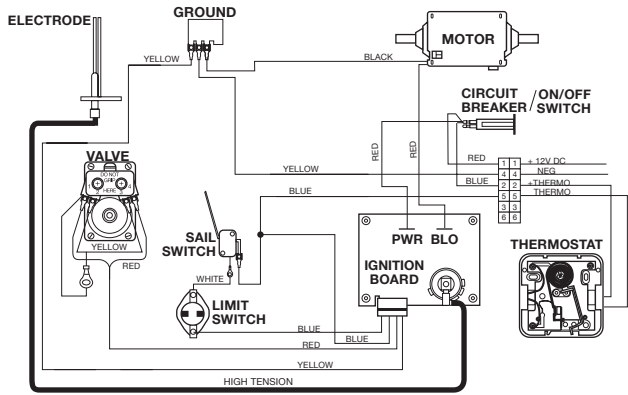


Wiring Diagram for 8900-III

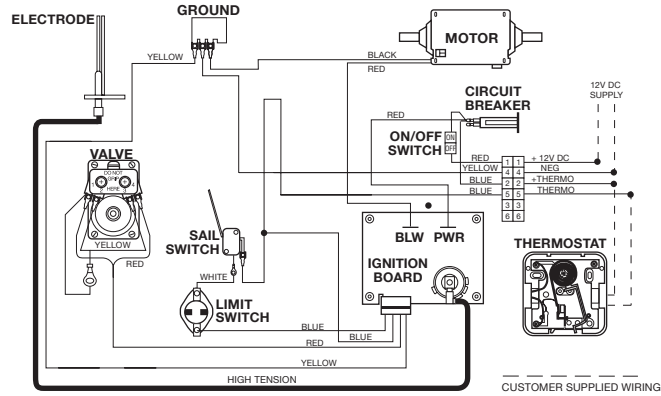
DIAGNOSTIC CHART	
FAULT	LED INDICATION
Internal Circuit Board Failure	Steady on, no flashing
Limit switch/Airflow problems	1 flash with 3-second pause
Flame Sense Fault	2 flashes with 3-second pause
Ignition Lockout Fault	3 flashes with 3-second pause

IMPORTANT:
If any original wire has to be replaced,
it must be replaced with type 105 C
or its equivalent.

DC Wiring Diagram WITHOUT DOOR

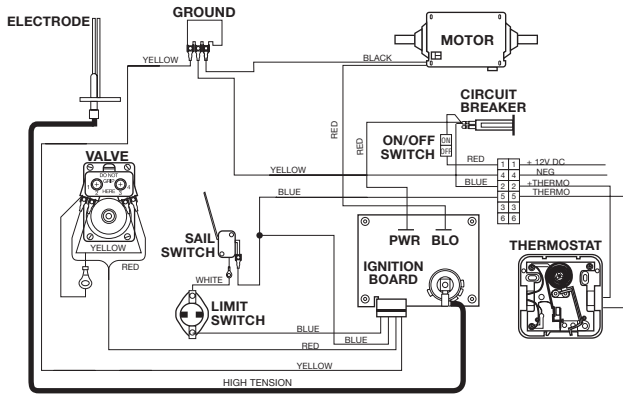


DC Wiring Diagram

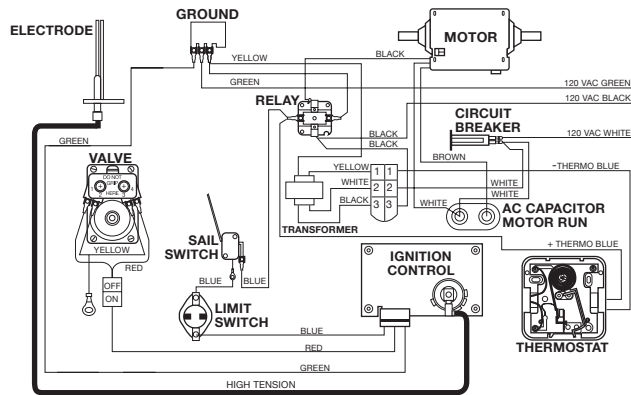


IMPORTANT: If any original wire has to be replaced, it must be replaced with type 105 C or its equivalent.
Terminal Block on 85 Models only.

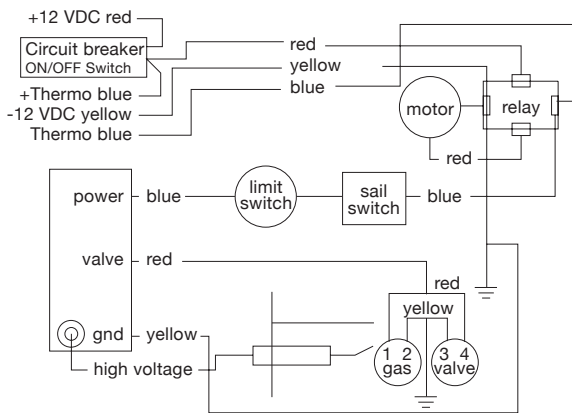
DC Wiring Diagram WITH DOOR



AC Wiring Diagram WITH DOOR

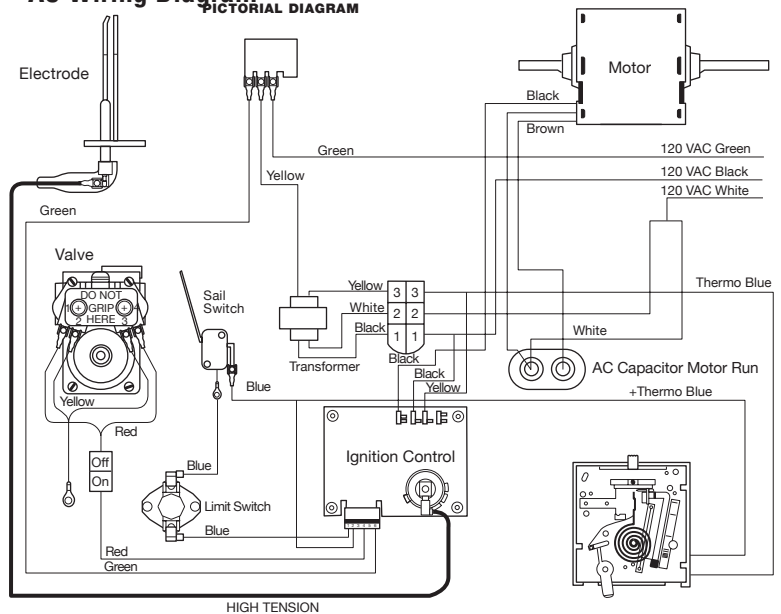


DC Wiring Diagram



Supply Leads
(+) 12 volt DC to (+) 12 volt DC (red wire)
(-) 12 volt D to (-) 12 volt DC (yellow wire)
thermostat to thermostat (blue wires)

AC Wiring Diagram



Wiring Diagram for 2-Stage Furnace

DIAGNOSTIC CHART

A diagnostic LED is located inside the exterior access cover on the outside edge of the horizontal (2) stage control board. The following graph defines the codes.

An Excalibur 2-Stage furnace must use an Atwood Digital Thermostat.

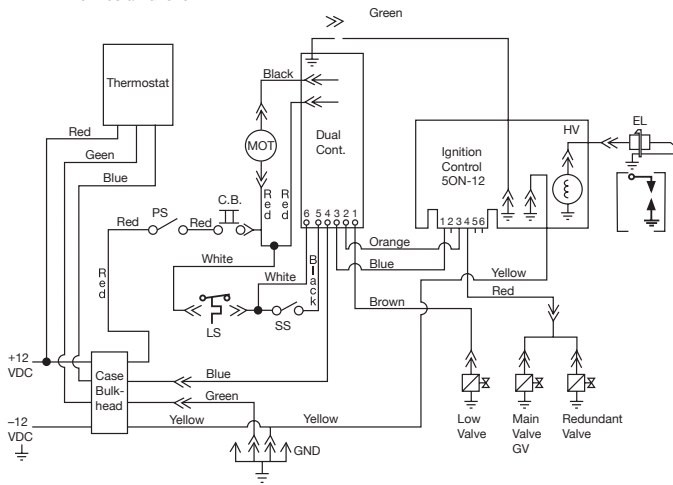
Two Stage Furnace Models 1522 & 2334

WITH DOOR AND WITHOUT DOOR

CB = Circuit Breaker
GND = Ground
GV = Gas Valve
HV = High Voltage
EL = Electrode

MOT = Blower Motor
SS = Sail Switch
LS = Limit Switch
PS = Power Switch

NOTE: The Power Switch (PS) does not control the air conditioning system thermostat function.



2-Stage Furnace Diagnostics

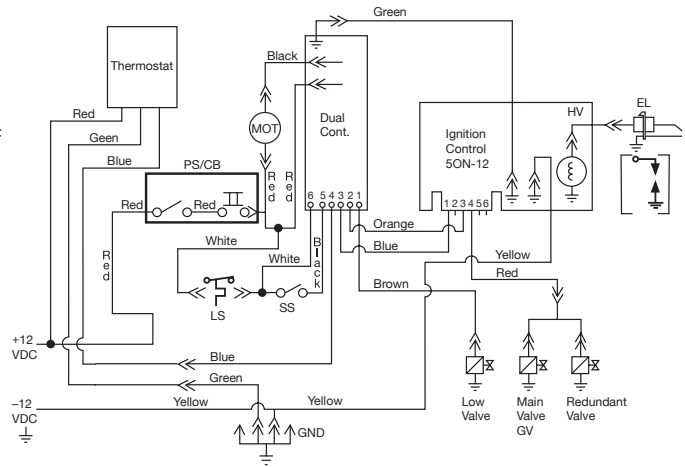
NUMBER OF LED FLASHES	DIAGNOSTIC INFORMATION	LOCKOUT
1	Low Input voltage	SOFT
2	Ignition Failure	SOFT
3	Open High Limit	SOFT
4	Stuck Sail Switch	HARD
5	Module Fault	HARD

NOTE: A SOFT lockout is a condition that is timed and will make additional attempts to correct the problem. A HARD lockout requires reset of the thermostat or turning the power switch off then back on.

GND = Ground
GV = Gas Valve
HV = High Voltage
EL = Electrode

MOT = Blower Motor
SS = Sail Switch
LS = Limit Switch
PS/CB = Power Switch/Circuit Breaker

NOTE: The Power Switch (PS) does not control the air conditioning system thermostat function.



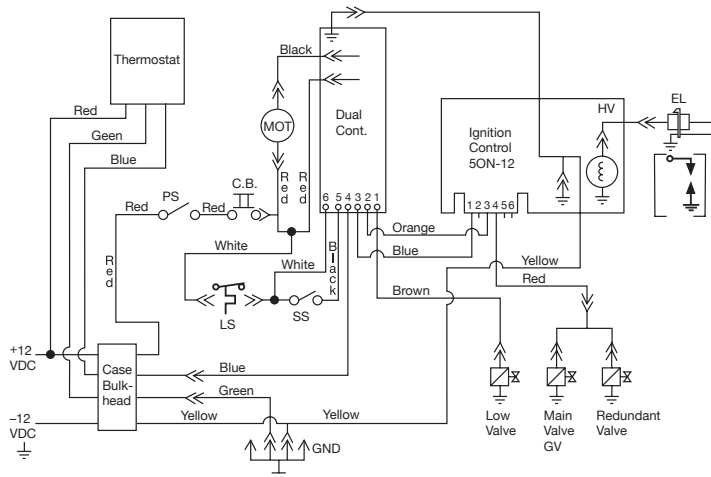
Two Stage Furnace Model 2540

WITH DOOR AND WITHOUT DOOR

CB = Circuit Breaker
GND = Ground
GV = Gas Valve
HV = High Voltage
EL = Electrode

MOT = Blower Motor
SS = Sail Switch
LS = Limit Switch
PS = Power Switch

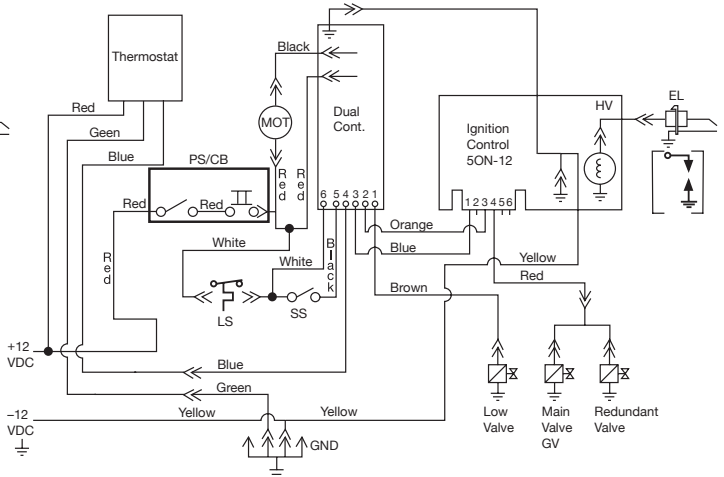
NOTE: The Power Switch (PS) does not control the air conditioning system thermostat function.



GND = Ground
GV = Gas Valve
HV = High Voltage
EL = Electrode

MOT = Blower Motor
SS = Sail Switch
LS = Limit Switch
PS/CB = Power Switch/Circuit Breaker

NOTE: The Power Switch (PS) does not control the air conditioning system thermostat function.



Sequence of Operation - DC Models

The ON/OFF switch allows power to pass to the circuit breaker and the thermostat.



The thermostat controls the operating circuit to the furnace by reacting to room temperature. When room temperature is below the thermostat set point, the contact closes to allow current to flow to the circuit board.



The circuit breaker limits amperage draw of motor.



The relay on the circuit board allows current to pass to the motor by closing a switch within the relay. The 12v+ signal from the thermostat actuates the relay circuit. The motor will start the blower running immediately.



Current flows to the motor to operate the blower. One end of the motor shaft is for the circulating air wheel and the other side is for the combustion air wheel.



Circulating air blows against the sail switch and closes the contacts, completing the circuit. The sail switch is a safety device that insures air flow before ignition.



The limit switch is a safety device that protects the furnace from over heating. The contacts in the limit switch open at a given temperature setting, shutting off power to the electronic ignition system that controls the gas valve.



As power is applied to the circuit board, the system does the following:

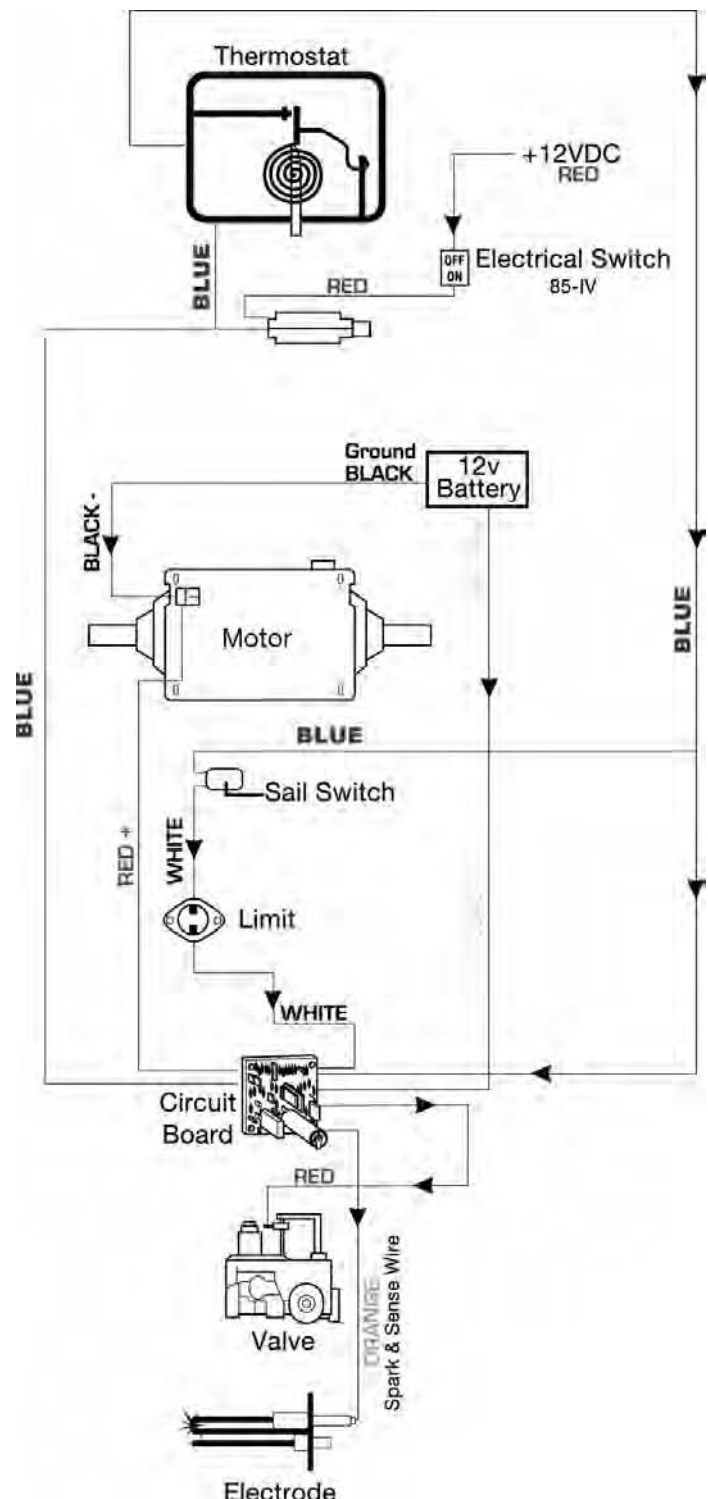
1. A timing circuit allows the blower to purge the chamber (15-17 seconds)
2. The board supplies current to the gas valve and causes it to open. A manual electrical switch is provided and must be in the "ON" position for current to reach the valve.
3. As the valve opens, the board sends a high voltage spark to the electrode at the burner. The board detects the presence of a flame. If the flame is not sensed after approximately six seconds, the board will lock out (three try for ignition, one hour lockout and then three retry), shutting off power to the valve.
4. If the system does not ignite and the thermostat remains closed after three tries the blower will shut off.



When the thermostat senses the desired room air temperature, the contacts open, removing power from the ignition system and shutting off the gas valve. The blower runs until the heater in the relay cools and opens the circuit, shutting off current to the motor.

⚠ WARNING
FURNACE PRODUCES HIGH TEMPERATURE

- Locate furnace out of traffic and away from furniture and draperies.
- Do not touch or put combustibles near appliance. Hot surface temperature may occur.
- Supervise young children in the same room as the furnace.
- Do not place clothing or flammable materials on or near the furnace.



Sequence of Operation - DC Models (Standard One-Stage)

The ON/OFF switch allows power to pass to the circuit breaker and the thermostat.



The thermostat controls the operating circuit to the furnace by reacting to room temperature. When room temperature is below the thermostat set point, the contact closes to allow current to flow to the relay.



The circuit breaker limits amperage draw of motor.



The relay allows current to pass to the motor by closing a switch within the relay. Voltage from the thermostat activates the relay to turn the fan on. This takes 1-25 seconds. The Relay is now part of the Ignition Board on all DC products.



Current flows to the motor to operate the blower. One end of the motor shaft is for the circulating air wheel and the other side is for the combustion air wheel.



Circulating air blows against the sail switch and closes the contacts, completing the circuit. The sail switch is a safety device that insures air flow before ignition.



The limit switch is a safety device that protects the furnace from over heating. The contacts in the limit switch open at a given temperature setting, shutting off power to the electronic ignition system that controls the gas valve.



As power is applied to the circuit board, the system does the following:

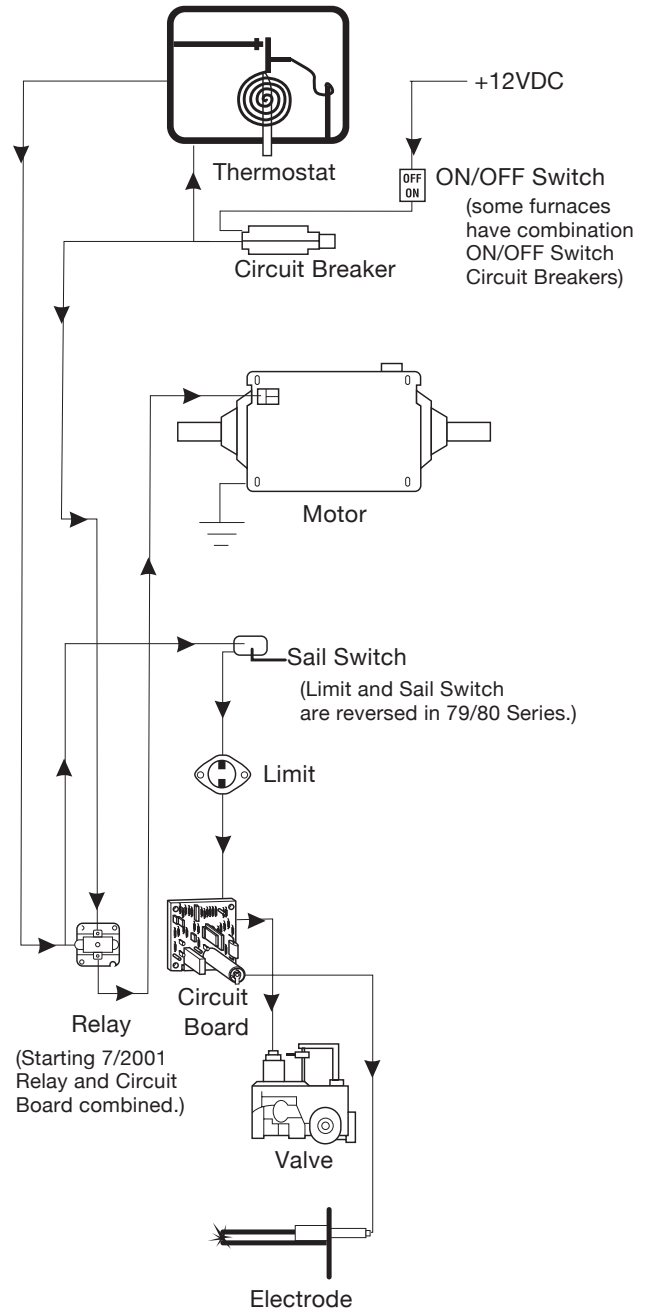
1. A timing circuit allows the blower to purge the chamber (15-17 seconds)
2. The board supplies current to the gas valve and causes it to open.
3. As the valve opens, the board sends a high voltage spark to the electrode at the burner. The board detects the presence of a flame. If the flame is not sensed after approximately six seconds, the board will lock out (three try for ignition, one hour lockout and then three retry), shutting off power to the valve.
4. If the system does not ignite and the thermostat remains closed, the blower will remain on until the thermostat is reset manually.



When the thermostat senses the desired room air temperature, the contacts open, removing power from the ignition system and shutting off the gas valve. The blower runs until the relay opens the circuit, shutting off current to the motor.

⚠ WARNING
FURNACE PRODUCES HIGH TEMPERATURE

- Locate furnace out of traffic and away from furniture and draperies.
- Do not touch or put combustibles near appliance. Hot surface temperature may occur.
- Supervise young children in the same room as the furnace.
- Do not place clothing or flammable materials on or near the furnace.



Sequence of Operation Pilot Models

The thermostat controls the operating circuit to the furnace by reacting to room temperature to open and close a set of contact points which allows current to flow to the relay.



The relay receives the current and allows current to pass through to the circuit breaker by closing a switch within the relay. This is done by a heater coil within the relay which actuates a bi-metal disc closing the relay circuit.



The circuit breaker is placed in line to monitor the Amp draw of the motor. It is an overload and safety protector for the motor.



The current then flows to the motor and allows the blower to operate. One end of the motor shaft drives the circulating air wheel and the other end of the motor shaft drives the combustion air wheel that delivers the required air to the burner for combustion.



As the circulating air wheel comes up to speed, it blows against the sail switch completing the circuit. The sail switch is placed into the system as a safety to prove there is adequate air for combustion.



The limit switch is an in line safety device which protects the furnace from any over heating conditions. The contacts in the limit switch open at a given temperature setting, shutting off power to the valve.



The next section of operation is controlled by the valve and pilot. Once the power is applied to the valve, the following steps are:

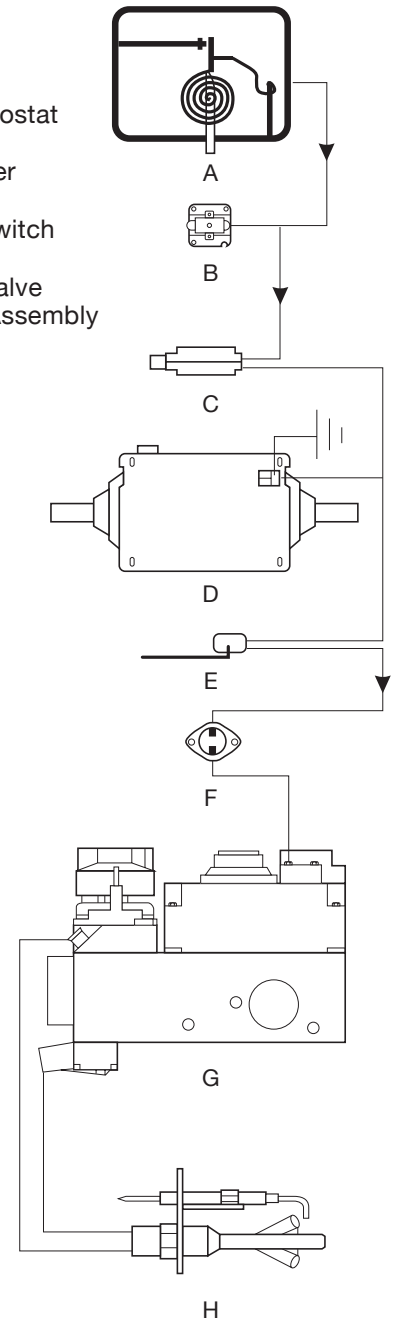
1. Set gas valve knob to the pilot setting to light the pilot.
 - a. light pilot.
2. Set gas valve knob to the ON position for burner operation.
3. While ON stand by, if the pilot goes out and the thermostat closes, the blower will come on, but the valve will remain closed. At this time, the pilot must be relit for burner operation.

Note: The blower will remain running until the thermostat contact opens.



As the thermostat senses the room air temperature, the contacts will open removing power from the valve which will shut off the gas. The blower will remain on until the heater coil within the relay cools and the relay opens and stops the current flow to the motor.

- A - Thermostat
- B - Relay
- C - Breaker
- D - Motor
- E - Sail Switch
- F - Limit
- G - Gas Valve
- H - Pilot Assembly



Sequence of Operation - AC Models

Operating Circuitry 24 VAC

The transformer receives 120 VAC which it converts to 24 VAC for the operating circuitry.



The thermostat controls the operating circuit to the furnace by reacting to room temperature. When room temperature is below the thermostat set point, the contacts close to allow current to flow to the relay. The relay receives 24 VAC and energizes a heater coil within the relay. This activates a bimetal disc which closes the relay circuit. This takes 17-20 seconds.



Once the relay circuit is closed, 120 VAC flows to the motor and allows the blower to run. One end of the motor is for the circulating air wheel and the other end is for the combustion air wheel.



Circulating air blows against the sail switch and closes the contacts, completing the circuit. The sail switch is a safety device that insures air flow before ignition.



The limit switch is a safety device that protects the furnace from overheating. The contacts in the limit switch open at a given temperature setting, shutting off power to the electronic ignition system that controls the gas valve.

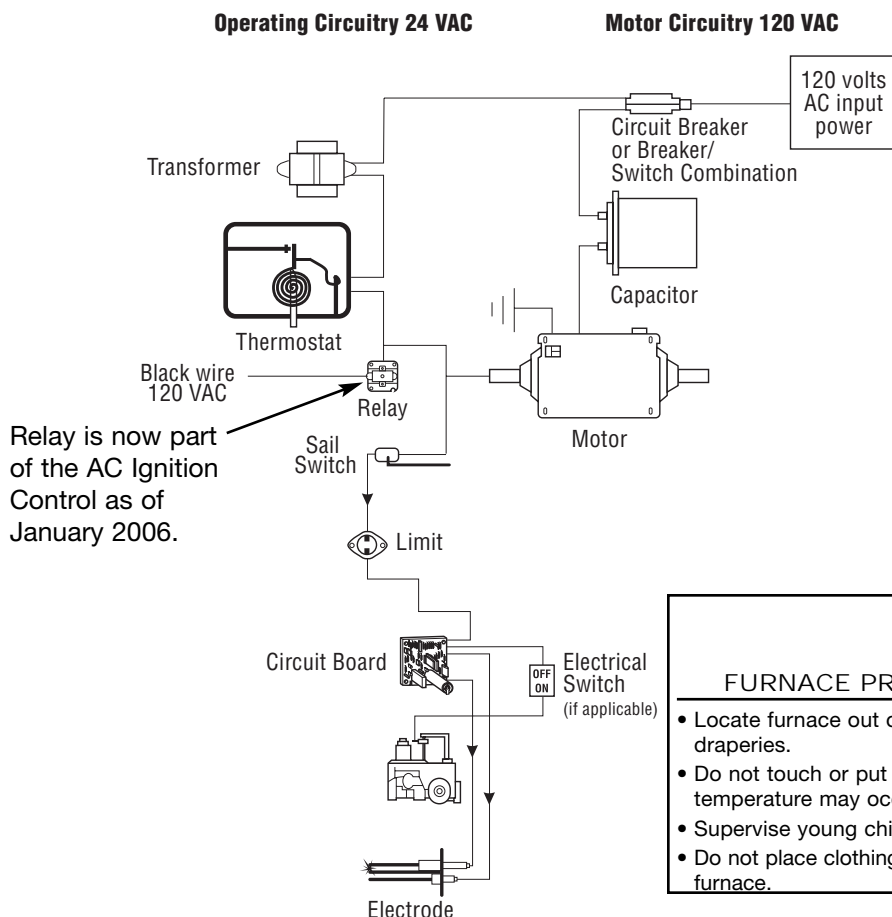


As power is applied to the electronic ignition circuit board, the system does the following:

1. A timing circuit allows the blower to purge the chamber (15-17 seconds).
2. The board supplies current to the gas valve and causes it to open. There is an electrical switch in line to the valve to allow power to be manually shut off to the valve. This switch must be on for the furnace to operate. (Switch may be separate or combined with circuit breaker).
3. As the valve opens, the board sends a high voltage spark to the electrode at the burner. The board detects the presence of a flame, if the flame is not sensed after seven seconds, the board will lock out, shutting off power to the valve.
4. If the system does not ignite and the thermostat remains closed, the blower will remain on until the thermostat is reset manually.



When the thermostat senses the desired room air temperature, the contacts open removing power from the ignition system and shutting off the gas valve. The blower runs until the heater in the relay cools and opens the circuit, shutting off current to the motor.



⚠ WARNING
FURNACE PRODUCES HIGH TEMPERATURE

- Locate furnace out of traffic and away from furniture and draperies.
- Do not touch or put combustibles near appliance. Hot surface temperature may occur.
- Supervise young children in the same room as the furnace.
- Do not place clothing or flammable materials on or near the furnace.

Sequence of Operation - DC Models

2-Stage Excalibur™ Furnace ONLY

The digital thermostat controls the operating circuit to the furnace by reacting to room temperature. When the room temperature is below the thermostat set point by 2°F a heat demand signal will be sent to the controller module (see MPD 38463).



The ON/OFF switch is an agency safety power shut off to the furnace ignition and gas valve systems.



The circuit breaker limits amperage draw of the motor.



Current flows to the controller module and during the first seconds the micro-processor confirms inputs and verifies correct operation of safety redundancies. This module will perform the following diagnostic checks of the system.

- a. Sail Switch is open
- b. Internal Microprocessor faults
- c. Voltage inputs
- d. Ignition
- e. Open Limit Switch

In the event of a failure an LED on the controller module will flash a code. See chart.



The motor receives current from the controller module and will run at high speed or low speed depending on the demand signal the digital thermostat sends to the controller module. One end of the motor shaft is for the circulating air wheel and the other end is for the combustion air wheel.



Circulating air blows against the sail switch and closes the contacts, completing the circuit. The sail switch is a safety device that insures air flow before ignition.

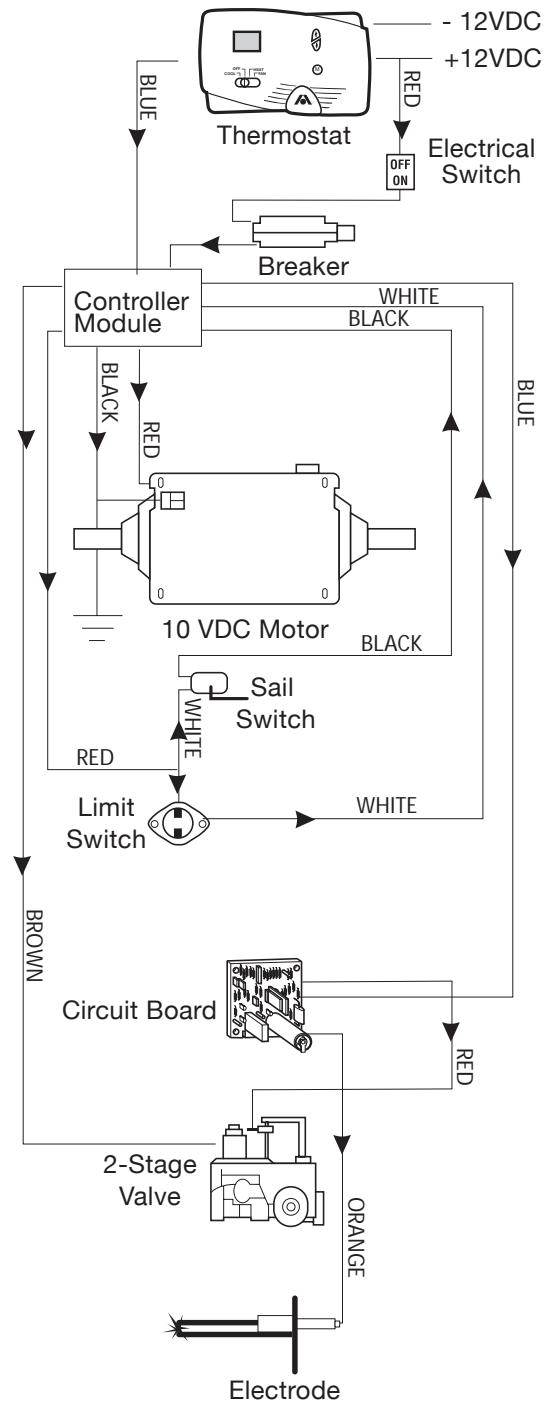


The limit switch is a safety device that protects the furnace from over heating. the contacts in the limit switch open at a given temperature setting, shutting off power. This activates the open limit switch diagnostics and makes the LED on the controller module to flash and shuts down the gas valve. See chart.



As power is applied to the circuit board, the system does the following:

- a. timing circuits allows the blower to purge the heat chamber for 15 seconds.
- b. current is supplied to the gas valve and causes it to open to high burn. (The controller module activates the low burn operation on the valve.)
- c. as the valve opens, the ignition module sends a high voltage spark to the electrode at the burner. The ignition module detects the presence of a flame. If the flame is not sensed after 7 seconds of sparking a signal is sent to the controller module that there is no ignition and shuts off the valve. After another 25 second purge, it will try again. After a third try, the controller will go into “soft” lockout, timing for one hour and the diagnostic LED will flash a code, see chart. After the timed hour, the controller will initiate (3) more tries for ignition. If there is no ignition, the timing sequence begins again.
- d. If the system does not ignite and the thermostat is still calling for a heat demand, the blower will run for 90 seconds as a post purge then shut off.



When the thermostat senses the desired room air temperature, a signal is sent to the controller module to shut down operation of the gas valve and run the blower for 90 seconds as a post purge of heat from the furnace heat chamber.

Annual Preventative Maintenance Inspection

The following preventive maintenance and safety checks should be performed by a qualified RV technician once a year, or more, depending on the use of the furnace. Failure to properly maintain the furnace may void the furnace warranty and can result in unsafe furnace operation. Preventive maintenance is not covered under warranty.

AIR WHEEL - The air wheel should be clean and clear of obstructions. Starting the furnace with something in the blower will damage the wheel, making replacement necessary.

BURNER - The Burner requires no adjustments, but should be inspected annually. Burners should be cleaned with a wire brush to remove debris and corrosion build up.

COMBUSTION CHAMBER - Check the air intake and flue areas of the furnace for internal obstructions, such as wasp or bird nests. The life of the combustion chamber is a function of the amount of time that the furnace has operated. Therefore, it is essential to inspect the chamber for cracks and holes. Have the chamber replaced if it has any cracks or holes - this condition is not field repairable. Chamber should be cleaned if obstructions are present, by removing the chamber and flushing the unit out with water.

CONTROL COMPARTMENT - Clean the control compartment to remove dirt and lint.

DUCTING - The heat ducts should be clean and clear of obstructions. Check for proper duct connection. Any ducts disconnected from the furnace or outlets must be reattached.

GAS PRESSURE - Using a U-tube water manometer, with the furnace and all of the gas appliances operating, the pressure should be 11" W.C. (27mbar). Improper gas pressure can cause the furnace to work inconsistently and create unbalanced combustion.

GAS SUPPLY SYSTEM - Perform a pressure-drop test according to current ANSI standards, to insure that there are no gas leaks.

GASKETS - Inspect all gaskets for tight seals. Do not reuse gaskets - always replace with new.

GENERAL - Check that the physical support of the furnace is sound and without sagging, cracks, gaps, etc.

MOTOR - The motor is lubricated and permanently sealed. It requires no oiling. Brushes and armatures are not replaceable.

RETURN AIR - The return air passage should be clean and clear of obstructions and meet the minimum square inches as specified in the installation instructions. Make sure combustibles are not stored in the furnace compartment. Filters are not recommended at these air passages.

VENTING - After checking and clearing, if necessary, the draft cap assembly must have the proper overlap between the exhaust tube and the furnace chamber tube. Any air leakage at these joints may cause improper combustion. Draft cap assembly must overlap no less than 1-1/4" (32mm), and be positioned against the door screen for proper function.

VOLTAGE - Voltage should be between 10.5 and 13.5 VDC at the furnace during operation. The power at the furnace needs to be checked with each of the following power sources when applicable: generator, battery, and converter. Low voltage can cause the furnace to overheat and cycle. High voltage can cause unbalanced combustion, and excessive motor wear. Note: To increase motor life the furnace should be wired directly to the battery.

WIRE CONNECTIONS - Check the furnace for loose or disconnected wires.



WARNING

CRITICAL INSTALLATION CRITERIA

- Do not install the furnace on material that restricts return air, such as carpet, or any soft material, such as vinyl.
- Do not install furnace where clearance to combustibles cannot be maintained.
- Do not modify the furnace in any way.
- Do not alter the furnace for a positive grounding system.
- Do not HI-POT this furnace unless the electronic ignition system (circuit board) has been disconnected.
- Do not use a battery charger to supply power to DC model furnace even when testing.
- Do not use 120 volt AC current with DC models.
- Do not use the furnace cabinet area as a storage compartment.
- Do not vent this furnace with a venting system serving any other appliance.
- Do not vent this furnace to an outside enclosed porch area.
- Do not use for temporary heating of buildings or structures under construction.
- Locate the furnace in an area that will not be blocked by snow.
- Protect building materials from degrading from flue gas exhaust.
- Protect furnace electrical components from water.
- Do not use closeable registers when minimum ducting cannot be maintained.
- Wire furnace direct to battery when possible.
- Use a minimum of 22 gauge wire for the thermostat.
- Use a minimum of 18 gauge wire to the furnace from power supply.
- Follow wiring color code exactly.
- Hold both fittings with a wrench when tightening gas connection.
- Always meet or exceed minimum duct requirements.
- Always meet minimum return air requirements.
- Isolate return air passage from range compartment.



WARNING

- Installation, repairs and preventative maintenance should be done by a qualified service person only.
- The furnace should be inspected before use and at least annually by a qualified service person.
- Frequent cleaning may be required due to excessive lint from carpeting, bedding material, pet hair, etc. It is imperative that control compartments, burners and circulating air passageways of the furnace be kept clean.
- Label all wires prior to disconnection when servicing. Wiring errors can cause improper and dangerous operation. Verify proper operation after servicing.



WARNING

CARBON MONOXIDE POISONING

- Furnace must be installed and vented to these instructions.
- Improper installation, adjustment, alteration, service or maintenance can cause injury or property damage.
- Improper installation location may cause furnace to produce negative pressure, affecting combustion air or venting of other appliances.

For assistance or additional information, consult a qualified installer, service agency or gas supplier.





Atwood Mobile Products LLC
 1120 North Main Street • Elkhart, IN 46514
 PHONE: 574•264•2131 FAX: 574•262•2550
 INTERNET: <http://www.atwoodmobile.com>

LITERATURE NUMBER **MPD 31492**

hydro flame™

**Model 1H2C
 Digital Thermostat**

**FOR STANDARD FURNACES
 & A/C SYSTEMS**



ENGLISH, FRANCAIS (et Canada)

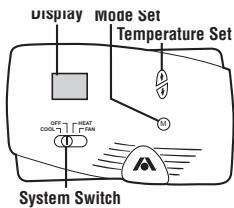
•Installation •Operation

Effective 9/21/04

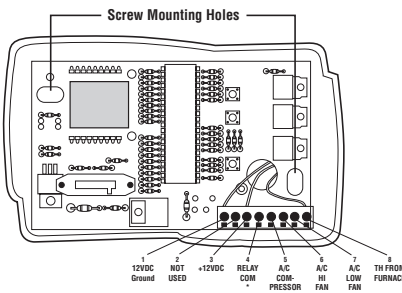
THIS THERMOSTAT HAS BEEN DESIGNED TO OPERATE STANDARD AIR CONDITIONING UNITS IN CONJUNCTION WITH A RV FURNACE.

SPECIFICATIONS

Operating Voltage 9VDC to 18VDC
 Current Consumption at 12VDC 100mA
 Operating Temp. -40F to +185F
 Room Temp. Range +55F to +90F
 Room Temp. Display Range +35F to +99F
 Thermostat Accuracy +/- 1F
 Switching Capability A/C up to 24 VAC
 (max. 2 AMPS)



*Note: Move jumper to positions 3 and 4 for RVP Unit. Discard jumper for Dometic®.



SLIDE SWITCH		SCROLL ORDER OF DISPLAYED MODES		OPERATION
LEFT	RIGHT			
COOL	OFF	HEAT	FAN	Furnace Operation
		●		Furnace cycles to satisfy set point.
COOL	OFF	HEAT	FAN	Air Conditioner Operation
●				AU
●				HI
●				LO
COOL	OFF	HEAT	FAN	Fan Operation
			●	HI
			●	LO
COOL	OFF	HEAT	FAN	Off
	●			OF
				No operation occurs.

THERMOSTAT INSTALLATION

Thermostat is very sensitive. HANDLE WITH CARE AT ALL TIMES.

Locate thermostat 48" to 54" above floor on an INTERIOR wall. Pick a dry area where air circulation is good. EXTERIOR wall location must have a 3/4" spacer between thermostat and exterior wall.

1. Be sure all electrical power has been disconnected from the air conditioner, furnace and the power supply.
2. Do not install the thermostat where there are unusual heating conditions: such as direct sunlight, heat producing appliances (television, radio, wall lamp, etc.) or a furnace or air conditioner supply register.
3. ATTACHING THE WALL THERMOSTAT. Separate the thermostat body from the sub-base by gently squeezing the top and bottom, connecting wiring per requirements. Attach thermostat sub-base to the wall at desired mounting location.

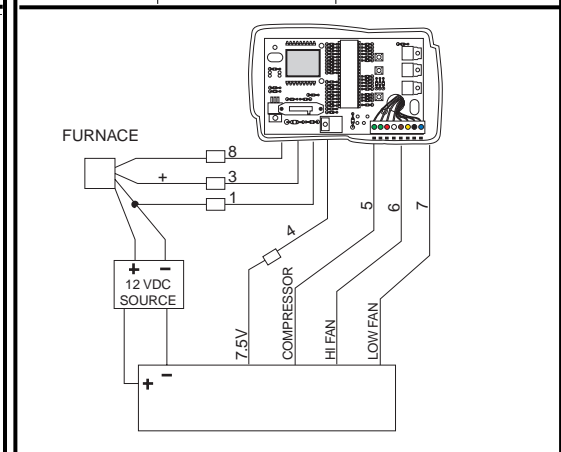
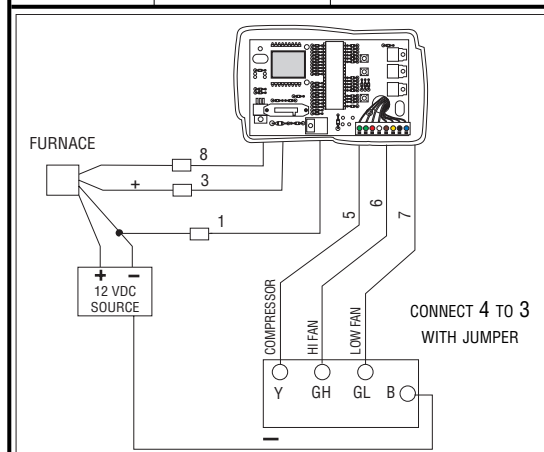
WIRING REQUIREMENTS FOR ATWOOD THERMOSTAT

12 VDC ANALOG A/C SYSTEMS (RVP®)

THERMOSTAT TERMINAL # (L-R)	WIRE FROM FURNACE FUNCTION	WIRE FROM A/C FUNCTION
1	-12vdc ground	
2	not used	not used
3 & 4	+12vdc	
5		Compressor
6		High Fan
7		Low Fan
8	Furnace Control	

7.5 VDC ANALOG A/C SYSTEMS (DOMETIC®)

THERMOSTAT TERMINAL # (L-R)	WIRE FROM FURNACE FUNCTION	WIRE FROM A/C FUNCTION
1	-12vdc ground	
4		7.5 vdc
3	+12vdc	
5		Compressor
6		High Fan
7		Low Fan
8	Furnace Control	



Atwood
Atwood Mobile Products LLC
 1120 North Main Street • Elkhart, IN 46514
 PHONE: 574•264•2131 FAX: 574•262•2550
 INTERNET: http://www.atwoodmobile.com

LITERATURE NUMBER **MPD 31493**

hydro flame™

Model 2H2C
Two Stage Furnace
Digital Thermostat



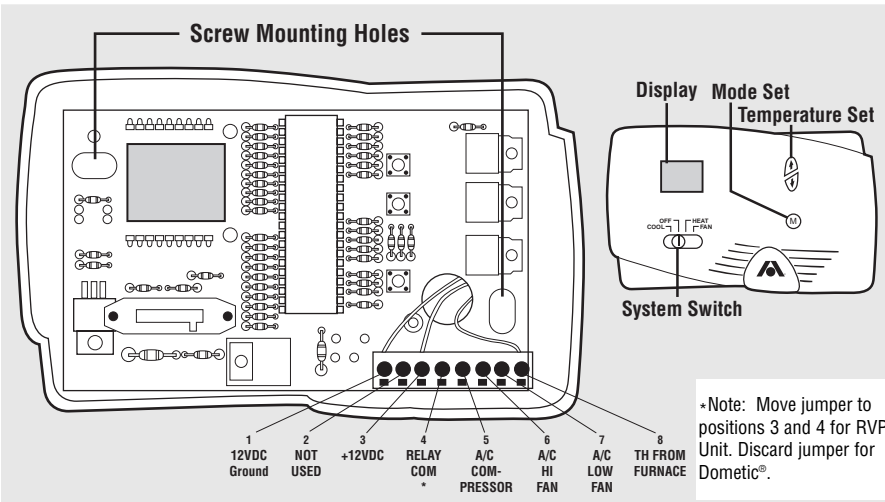
FOR TWO STAGE FURNACE

ENGLISH, FRANCAIS (et Canada)

•Installation •Operation

Effective 9/21/04

THIS THERMOSTAT HAS BEEN DESIGNED TO OPERATE STANDARD AIR CONDITIONING UNITS IN CONJUNCTION WITH AN EXCALIBUR 2-STAGE FURNACE.



THERMOSTAT INSTALLATION

Thermostat is very sensitive. **HANDLE WITH CARE AT ALL TIMES.** Locate thermostat 48" to 54" above floor on an **INTERIOR** wall. Pick a dry area where air circulation is good. **EXTERIOR** wall location must have a 3/4" spacer between thermostat and exterior wall.

1. Be sure all electrical power has been disconnected from the air conditioner, furnace and the power supply.
2. Do not install the thermostat where there are unusual heating conditions: such as direct sunlight, heat producing appliances (television, radio, wall lamp, etc.) or a furnace or air conditioner supply register.
3. **ATTACHING THE WALL THERMOSTAT.** Separate the thermostat body from the sub-base by gently squeezing the top and bottom. Pull wires through access hole in base plate. Attach thermostat sub-base to the wall at the desired mounting location. Mount the sub-base to the wall before connecting the wires.

System Slide Switch				SCROLL ORDER OF DISPLAYED MODES	OPERATION
LEFT	RIGHT				
COOL	OFF	HEAT	FAN	Scroll Order of Displayed Modes	Furnace Operation
		•		AU	Furnace automatically switches between high and low BTU valve and high and low speed fan when cycling to satisfy set point.
		•		HI	Furnace high BTU valve and high speed furnace fan cycle to satisfy set point.
		•		LO	Furnace low BTU valve and low speed furnace fan cycle to satisfy set point.
		•		HF	Furnace fan runs at high speed to circulate air. Air conditioner fan does not run.
		•		LF	Furnace fan runs at low speed to circulate air. Air conditioner fan does not run.
COOL	OFF	HEAT	FAN	Scroll Order of Displayed Modes	Air Conditioner Operation
•				AU	Air conditioner automatically switches compressor and high and low speed fan when cycling to satisfy set point.
•				HI	Air conditioner compressor and high speed fan operate to satisfy set point.
•				LO	Air conditioner compressor and low speed fan operate to satisfy set point.
•				HF	Air conditioner fan runs at high speed to circulate air. Furnace fan does not run.
•				LF	Air conditioner fan runs at low speed to circulate air. Furnace fan does not run.
COOL	OFF	HEAT	FAN	Scroll Order of Displayed Modes	Fan Operation
			•	HI	Air conditioner fan and furnace fan run at high speed to circulate air.
			•	LO	Air conditioner fan and furnace fan run at low speed to circulate air.
COOL	OFF	HEAT	FAN	Scroll Order of Displayed Modes	Off
	•			OF	No operation occurs.

Specifications

Operating Voltage 9VDC to 18VDC
 Power Consumption 100mA
 Operating Temperature -40F to +185F

Room Temperature Range +55F to +90F
 Room Temperature Display Range .. +35F to +99F
 Thermostat Accuracy +/- 1F

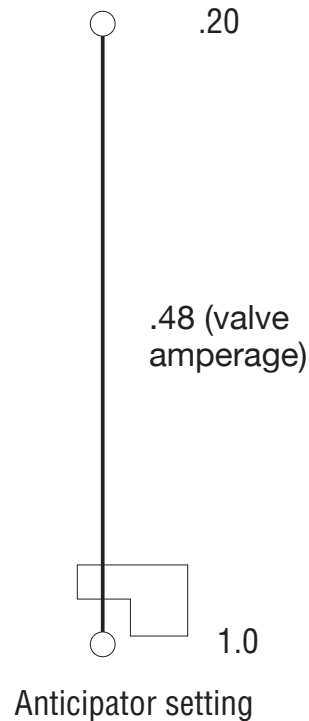
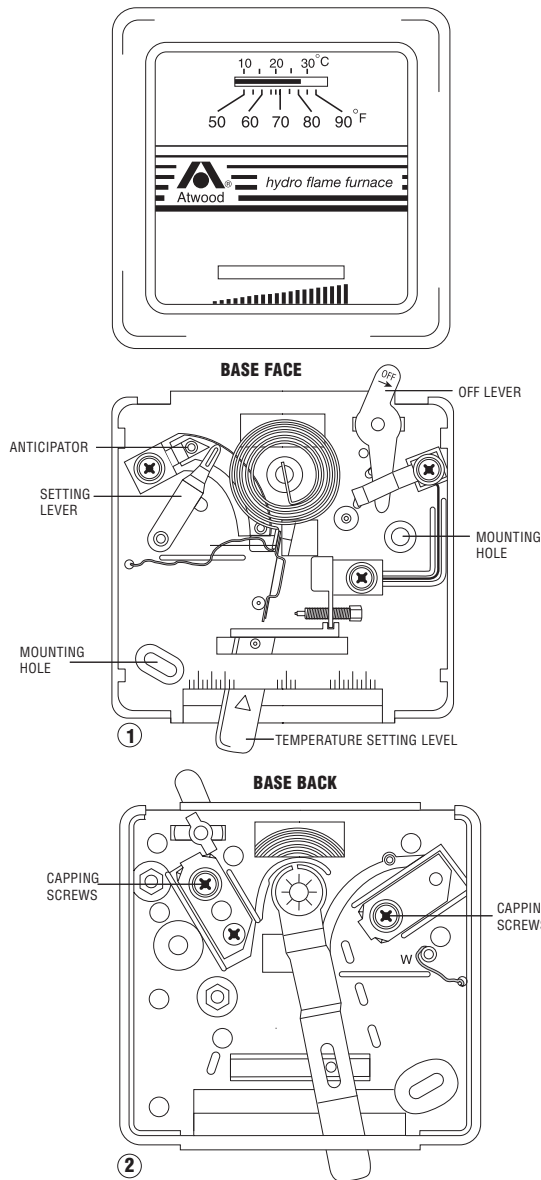
Mechanical Thermostat - HEAT ONLY

WHAT IS A THERMOSTAT?

- It is an ON/OFF switch controlled by a bi-metal coil which opens and closes an electrical contact by sensing changes in the ambient temperature.
- With its contacts close, it supplies power to the time delay relay which in turn closes a contact that sends power to the blower motor.
- Normally, the thermostat contacts are closed if the blower is running.

- The hydro flame thermostat is equipped with a heat anticipator which allows one to adjust the length of the heating cycles. A furnace should cycle 5-6 times an hour.
 - a. The anticipator is set at 1.0 on all hydro flame thermostats. If you want to shorten the heating cycle, move anticipator to a lower amp setting. You should not set lower than .48 which is the amperage rating of the gas valve. Setting any lower could burn out the anticipator wire.

Note: Heat anticipator adjustments are not covered under warranty.



Heat/cool thermostats are being used in conjunction with air conditioners and our furnace. The warranty, installation instructions and diagnostic information is provided by the manufacturer of the thermostat. However, if you need to isolate a furnace problem or a dual thermostat problem, bypass the furnace wires at the thermostat. If the furnace ignites and heats, you have a thermostat problem. If the furnace does not run, the problem is in the furnace, and you should consult the trouble shooting guides in the back of this manual.

THERMOSTAT LOCATION

- It should be on an inside wall 48"-54" above the floor on an inside wall.
- It should not be near areas of extreme heat or cold.
- It should not be located directly across from a heat duct.
- If installed on an outside wall, a 3/4" spacer must be used behind legs of thermostat. This will allow the thermostat to sense the air temperature and not the temperature of the wall.
- A minimum of 22 gauge wire should be used to connect the thermostat to the furnace. We recommend 18 gauge stranded wire.



Atwood Mobile Products LLC
 1120 North Main Street • Elkhart, IN 46514
PHONE: 574•264•2131 **FAX:** 574•262•2550
INTERNET: <http://www.atwoodmobile.com>

hydro flame Thermostat

TROUBLE SHOOTING GUIDE

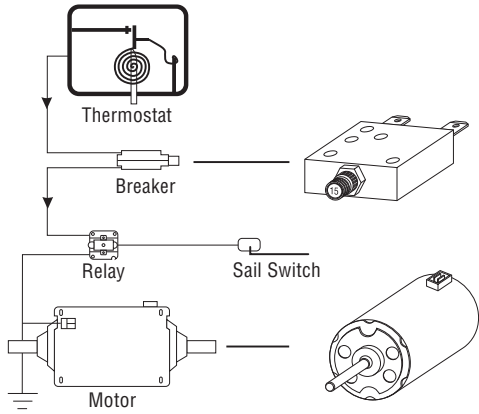
Effective: 8/10/98

Guides are only intended for use on Atwood® products by service technicians who have successfully completed Atwood® training. This guide should be used in conjunction with the appropriate Instruction Manual provided with the product and any applicable Industry Standards. This is not intended to be a complete list. Please direct questions concerning service of Atwood® products to 866-869-3118 option 5 before proceeding.

CAUSE	SOLUTION
BLOWER DOES NOT RUN	
Temperature selector out of place -----	Re-set to desired position
Thermostat wires broken or disconnected -----	Not covered under warranty.
Heat anticipator burned out -----	Dead short (not covered under warranty). Repair short and then replace thermostat.
	Faulty relay drawing more than 1 amp. Replace relay and thermostat. Covered under warranty.
No continuity through thermostat with contacts closed and switch on. -----	Replace thermostat.
Continuity through thermostat with contacts closed and switch on. -----	<ul style="list-style-type: none"> • Check and reestablish power to thermostat • Reset tripped circuit breaker. • Correct poor ground. • Correct any loose wires. • Replace defective relay. • Replace defective motor.
FURNACE DOES NOT CYCLE PROPERLY	
Furnace cycles too quickly -----	Move anticipator to a higher amp setting to lengthen cycle. NOT covered under warranty.
	Thermostat located too close to a heat duct. Move thermostat or duct outlet. NOT covered under warranty.
High temperature variance -----	Move anticipator to a lower amp setting to shorten cycle. NOT covered under warranty.

Note: When the anticipator is set properly and the heating system has operated for a few hours, the furnace should cycle 5-6 time per hour.

Circuit Breaker & Motor



The circuit breaker is actually a re-settable heat sensitive device designed to protect the blower motor. In a furnace, this heat evidences itself in the form of an amp draw. Therefore, since there are different size motors, there are different amperage ratings on circuit breakers. When replacing a breaker, do so with similar amperage rated breaker.

The breakers used on our furnaces are externally mounted and are of a slow blow style. This means that due to their location on our furnaces, the heat of the furnace cannot affect their operation. Likewise, short amperage spikes will not cause them to trip either. The motor will have to produce an excessive and prolonged amperage draw to trip it.

When a circuit breaker trips, it does so because a problem exists. After re-setting it, voltage and amperage draws should be taken to determine where the problem is. These readings will determine if you have a power source, breaker or motor problem.

On our 79 and 85 series furnaces we have two different types of breakers. The earlier 79 and 85 models and all 89 models used a rectangular slow blow breaker as pictured. Its sole purpose was to protect the motor. On late model 79 and 85 models we started using a finger-size combination breaker and on/off switch. Code required us to be able to shut the gas off at the appliance when servicing it. This switch accomplishes this by shutting off power to the blower motor, which in turn prevents the gas ignition system from coming on. Current production no longer uses a small rectangular ON/OFF switch combination.

Therefore, it is not only important to use the same amperage rated breaker, but also the same style of breaker.

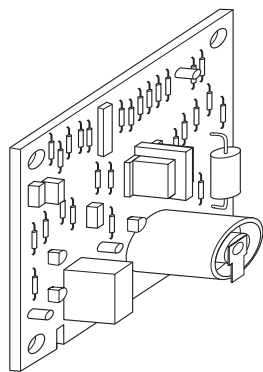
As stated earlier, there are different size motors as well. They are different because they must be compatible with the various BTU capacities. Each BTU of furnace requires a specific motor RPM in order for proper ignition and

combustion to take place.

Since it is very important that the proper motor be used for a specific model of furnace, you must identify if you have the correct motor. To help identify a motor, a 'PF' number is embossed in the metal housing of the motor. If you look at the parts reference in the back of this manual, not only are the proper hydro flame part numbers for the motor needed on a specific furnace noted, but the corresponding 'PF' number is also shown.

A new motor has been introduced into all of the 85 and 89 series DC furnaces. This new motor design is hard-wired. As a result the brushes are longer and should increase motor life considerably. As a result, the motor kit will now contain a motor mount bracket, the motor and installation instructions and will add a little more time to the installation process. However, these are the only motors that will be available as replacements in the field.

Circuit Boards



The circuit board has three functions: create a spark, open the gas valve and lock-out when one of the prior two functions do not occur during the ignition cycle. As long as the circuit board is receiving the minimum micro-amps from the electrode assembly, it will not lock out. It has a 15 second ignition delay as well. This delay allows the furnace to purge any unburned gas in the combustion chamber before ignition occurs.

We have two basic types of circuit boards. The board we currently use is a micro-processor board. It is a three trial ignition board and operates in conjunction with a single or local sense electrode (an electrode that has only one probe that both sparks and senses).

Various versions of the 12VDC analog board have been used. The part numbers of those boards are noted below. Fortunately, the local sense micro-processor board is the only one you will have to stock for replacement on a 12VDC furnace. Plastic spacers will be provided with the board so that it can be mounted on metal surfaces that you may encounter sometimes on various models of our furnace. The only other circuit board that you will have to stock is the AC version.

.....FENWAL, Relay on board with blower control retrofit kit.....	31501
.....FENWAL, Relay on board (NLA).....	36716
.....CHANNEL, 2-Stage ignition board.....	34696
.....CHANNEL, 2-Stage motor control board.....	34109
.....FENWAL, Relay on board with blower control AC kit.....	37515

Relay

ALL CURRENT PRODUCTION MODELS USE THE RELAY ON THE CIRCUIT BOARD

This component is commonly referred to as a time delay relay. **The same relay is used on the 7900, 8500 and 8900 series furnaces.**

FUNCTION - The relay has one primary function.

- to purge the plenum of heat and the chamber of any unburned gases after each heating cycle.

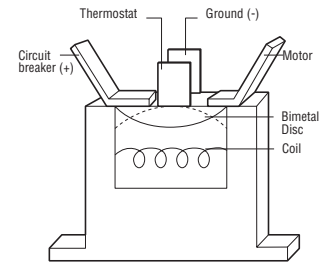
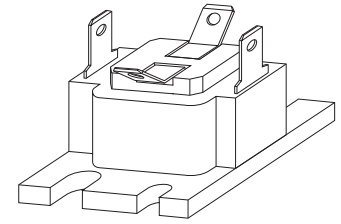
OPERATION - The motor voltage path of relay is normally open. There should always be voltage from the circuit breaker to the relay terminal of the circuit breaker. There should always be continuity between the thermostat terminal connection and ground terminal connection or the relay.

Only when the thermostat contacts are closed is voltage supplied to the

thermostat terminal of the relay. This voltage heats a coil in the relay body. In approximately 20 seconds this heated coil causes a bimetal disc to close. Voltage now passes through the relay and on to the motor, which in turn should allow the furnace to ignite and start a heating cycle.

When a heating cycle is complete, the contacts of the thermostat open and voltage ceases to the heater coil of the relay. In approximately 45 - 90 seconds, the heater coil cools down, the bi-metal disc opens and voltage ceases to the motor as well.

AMP Draw - The relay should draw no more than 1 amp. If the relay should draw more than 1 amp, it will burn out the anticipator.



Sail Switch

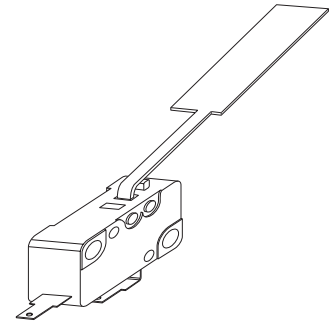
The sail switch is an air proving device. It is a safety component that will not let ignition occur until it sees 75% of the motor's rpm's. It insures that the combustion wheel is rotating fast enough so that there is a proper air and gas mixture for smooth ignition.

There are different size sail switches. The noticeable difference is the size of the paddle on the switch. Each switch is matched to the size of motor it must respond to.

NOTE: All 85-IV use the same sail switch.

When the paddle of the switch is depressed, there should be continuity through the switch. If a sail switch needs to be replaced, it should be replaced with the exact same size. If a larger switch than the original is used, it will probably not close when the motor reaches 75% of its rpm's and therefore keep ignition from occurring.

The most common problems with these switches are bent paddles, loose wire connections or an obstruction between the paddle and switch contact.



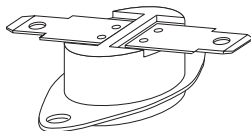
Limit Switch

The limit switch is a very important safety device on a furnace. The function of a limit switch is to protect the furnace from overheating. These switches come in a variety of temperature ratings and are located at critical locations above the heat chamber on the various models of furnaces. Therefore, it is very important that when one of these switches is replaced, you do so with the properly rated switch.

Failure to do so could cause an unsafe condition with the heating system. When in doubt as to whether you are using the proper limit switch for a furnace, look at the temperature at the base of the switch and match it to the temperature and related switch noted below.

Part Number 36205 is a thermal cut-off and was a specific safety component used on some 89-II furnaces. It was located above the chamber and tripped in the event of a burn through chamber.

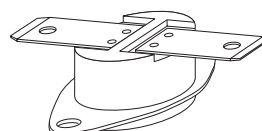
79-II, 89-II, 89-III, 2540
Part # 37021 (was 34781)
3/16" / 3/16" terminals



Markings
on Switch

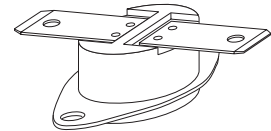
L77 or L170
(170°F)

85-II, 89-I
Part # 35132
1/4" terminals



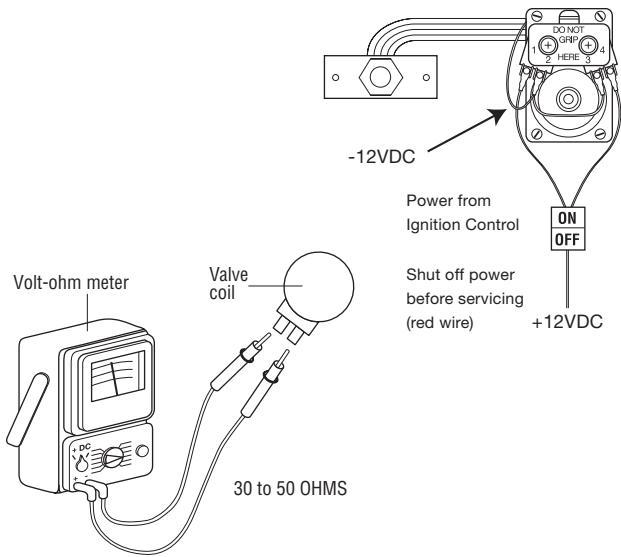
L54
(130°F)

85-III, 85-IV, 1522, 2334
Part # 37022 (was 36176)
1/4" terminals



L190
(190°F)

Dual Solenoid Gas Valve



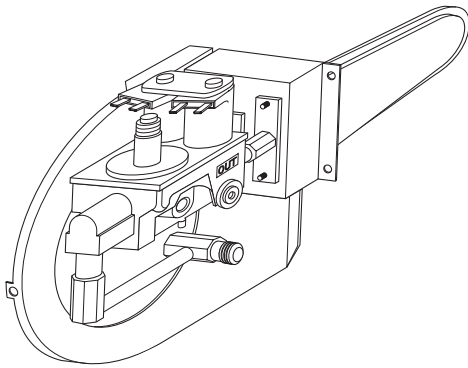
We use a White Rodgers dual solenoid gas valve on all of our furnaces. The valve requires a minimum of 10.5VDC in order to open and when open, should draw no more than .48 amps.

Later model furnaces have an ON/OFF switch on the wire to the gas valve. This replaces the manual shut-off that was used on earlier model furnaces. You can now electrically shut off the gas to the valve with this switch before servicing the furnace.

When these valves become inoperative, it is typically one or both of the coils that fail. In order to determine which coil is at fault, you need to conduct a continuity test on both leads of each coil. The resistance on a good coil will be 30-50 ohms. If the resistance is not in this range the coil is defective and must be replaced.

The coils on this valve are wired in parallel. Therefore, when replacing the wires on these coils, it is important that they be attached per the diagram. The red 12VDC supply wires must be attached to terminals 1 and 4 and the ground wires must be attached to terminal 2 and 3. If the coils are mistakenly wired in series and there is a marginal supply voltage, there will be a voltage drop from coil to coil and the valve will not open.

Burner Head, Electrode and Valve Assembly



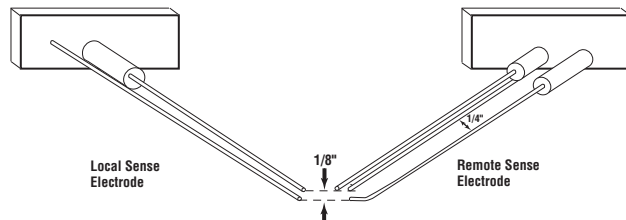
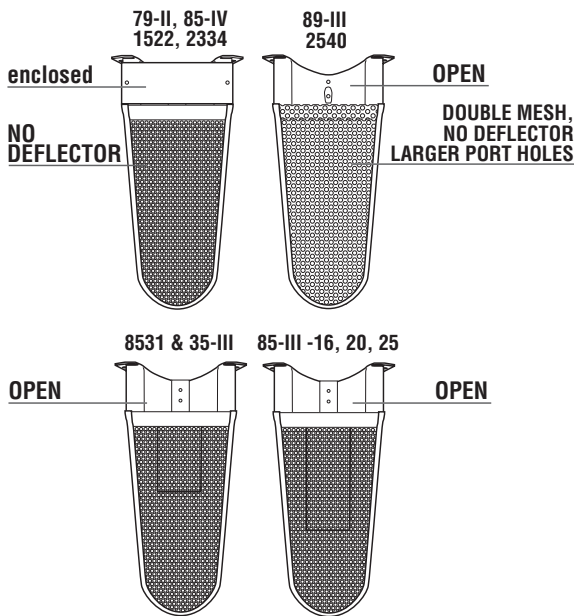
The burner head, electrode and gas valve on the late model 79 series furnace are individually accessible. However, to service these same components on the late model 85 and 89 series, remove the complete assembly.

The different models and/or BTU ranges of furnaces use different burner heads. These burners differ by the size of the top gas port holes or the deflector that runs through the throat of the burner. If the wrong one is used, it may cause an ignition, sooting or flame sense problem.

When an electrode assembly is installed on a furnace, they will already be in a fixed and predetermined position above the burner. The only adjustment that you may need to do is on the sparking and ground electrode points. This gap should be 1/8". However, when the porcelain on an electrode assembly becomes cracked, it will not function properly and will have to be replaced. When doing so, use the proper electrode assembly for the model of furnace being serviced.

There are only two versions of the solenoid valve available for the models of furnaces noted above. These two valves are identical except for the gas inlet porting on them (side or front). As stated earlier in this manual though, the coils are what usually breakdown but they are easily replaceable.

The different models and/or BTU ranges of furnaces use different burner heads. These burners differ by the size of the top gas port holes or the deflector that runs through the throat of the burner. If the wrong one is used, it may cause an ignition, sooting or flame sense problem.



The 4 Always

Remember that you are working on a heating system and not just a furnace. A majority of furnace problems lie outside of the product itself. Therefore, when trouble-shooting a furnace problem, always check the following items before testing or replacing components.

#1 - GAS PRESSURE

The gas pressure should be set at a minimum of 11" W.C. with a minimum of 50% and ideally 100% of the gas fired appliances operating. You should test this pressure with a U-tube Manometer only. If you choose to use a dial-type manometer, calibrate it often with a U-tube manometer.

#2 - VOLTAGE

Voltage to the furnace should be between 10.5 and 13.5 VDC during operation with the interior lights ON and OFF. This check should be made with the battery, converter or generator when applicable. Use a digital or analog multi-meter when taking voltage readings. Do not use a test light. It does not provide enough useful information for proper diagnosis.

#3 - DUCTING

Always make sure that the furnace has at least the minimum number of ducts (not including closeable outlets) called out in the installation instructions. Check for proper duct connections at the furnace and heat registers, collapsed ducts and holes in the ducting. The duct runs must be as straight and tight as possible. The heat ducts must also be clean and clear of obstructions.

#4 - RETURN AIR

The return air passage should meet the minimum square inches as specified for the particular model of furnace in the installation instructions. This air passage should also be clean and clear of obstructions. Do not put air filters in this passage way. Also make sure that combustibles are not stored in the furnace compartment.

#1 - Gas Pressure

A furnace is a consumer's friend when the outside temperature gets colder. Unfortunately though, cold is an enemy of LP gas. The BTU capacity of LP per volume decreases as the outside temperature gets colder. Therefore, based on how full the LP tanks are, the ambient temperature outside and how many BTU's the furnace is, there may not be enough gas to sustain ignition on the furnace.

Using the charts below, let's say that a 40,000 BTU furnace won't fire up, and we also know that the 65 lb. LP bottle on the RV is 40% full and it is 0 degrees F. outside. One's first thought might be that the burner or valve is bad. However, if

we use the chart, the vaporization capacity of the tank in these conditions is only 38,500 BTU's. The furnace is not going to perform very well because there is insufficient BTU capacity in the tank.

If you were to put an insulated fire resistant blanket over the tanks and a 75 watt light bulb under that, you would probably raise the temperature of the bottles 10-20 degrees and almost double the BTU capacity of the tank. This in turn would allow the furnace to operate properly. So keep in mind that a furnace problem is not always a component problem.

20 lb. Bottle (*30 lb. bottle multiply X 1.40)					
% Full	+20°	0°	-5°	-10°	-15°
60%	36,000	18,000	12,750	8,500	4,250
50%	32,400	16,200	12,150	8,100	4,050
40%	28,800	14,400	11,400	7,600	3,800
30%	25,200	12,600	10,450	7,300	3,150
20%	21,600	10,800	8,100	5,400	2,700
10%	16,200	8,100	6,075	4,050	2,025

65 lb. Under Mtd. LP Gas Tank BTU available at					
% Full	+20°	0°	-5°	-10°	-15°
60%	95,600	47,800	36,000	23,900	12,100
50%	86,000	43,000	32,250	21,500	11,750
40%	77,000	38,500	29,250	19,250	9,625
30%	68,000	34,000	25,500	17,000	8,500
20%	58,000	29,000	21,750	14,500	7,250
10%	43,200	21,600	16,200	10,800	5,400

#2 - Voltage

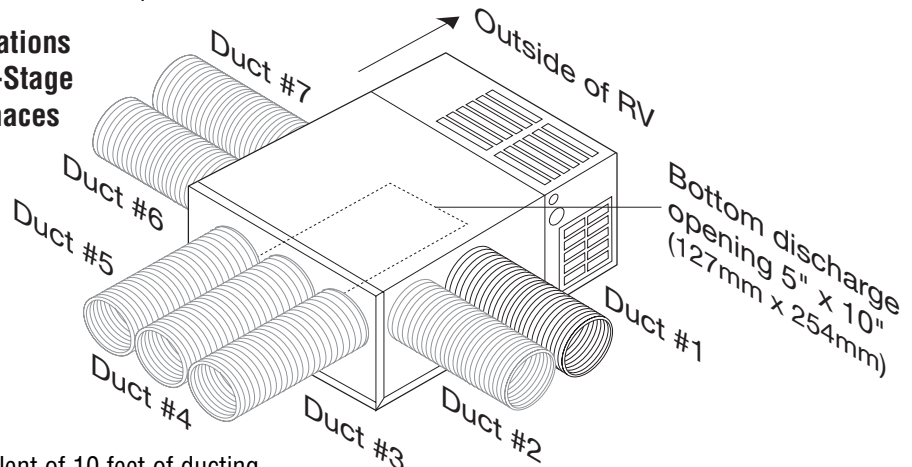
See **4 Always** previous page.

#3 - Minimum Ducting Requirements

The various BTU sizes of 85, 89 and 2-stage series furnaces require a minimum number of square inches of heat ducting. The most common size of soft ducting is 4" diameter. Therefore, since a 4" duct is equal to 12 square inches, we can call out the minimum number of ducts needed for the models of furnaces noted below.

Furnace Model	Minimum Ducting	Minimum Ducts
8516, 8520	24 sq. in.	2
8525, 8531	36 sq. in.	3
8535, 8935, 8940, 1522, 2334, 2540	48 sq. in.	4

**Ducting Locations
85, 89 and 2-Stage
Series Furnaces**



CAUTION - Ducting Installation

4" Flexible Hose

- each 90° bend adds the equivalent of 10 feet of ducting
- ducting should be securely attached to furnace
- each run should be as straight and short as possible

2" Flexible Hose

- 2 - 2" duct runs do not equal one 4" duct. A 2" duct is only 3 sq/inches
- 2" duct adapters are available
- 2" ducts are ideally suited for bathroom and holding tank compartments

Closeable Outlets

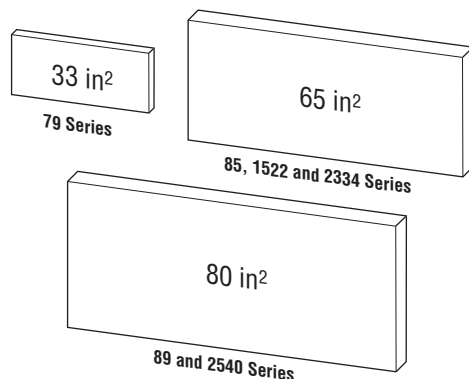
- a closeable outlet does not contribute to the minimum of total outlets recommended for a furnace.

Bottom Discharge

- furnace must be completely sealed to floor and plenum with a bottom discharge gasket, with no air gaps.
- if furnace is installed in middle of run, the main duct run must be a minimum of 24 sq/inches.
- if furnace is installed at the end of the run, the main duct must be 48 sq/inches.

#4 - Return Air

This return air requirement can be met in a couple of ways.



- The return air grille mounted on an inside wall of the trailer, exposed to the cabinet area of the furnace is the most common mounting used on the 85, 89 and 2-Stage Series furnaces.
- Another option is to provide openings at various locations in the furnace cabinet area capable of drawing air from inside the trailer (ie. rowtered holes at bases of sofas or walls, etc.).

The total square inches of openings must meet minimum requirements.

Do not place any types of air filters in front of or behind the return air door. Blocking this area will substantially decrease the return air causing - less air delivery to the heat registers - short cycle of the furnace - limiting of the furnace.

We recommend electrical air filters that can be placed anywhere in the open living area of the recreation vehicle. They can be purchased in most hardware stores.

Quick Diagnostics For 2 Stage Furnaces

Tools Required: Multimeter

All tests performed at Control Board.

Wire color codes:

WHITE:

With the ON/OFF Switch turned on, there will always be DC power at the white connection. The thermostat can be turned on or off. If there is no power at this location, check the ON/OFF Switch. If the Switch is in the on position, check to confirm that the Limit Switch is closed. If not, replace the Limit Switch. If the Limit Switch is closed, check to confirm DC coming into red wire into furnace. Correct problem, fuse, or disconnected red wire.

BLACK:

Black wire comes from the Sail Switch. There will be no power at this location unless furnace blower is operating. If the blower is running at least 6 volts and there is no reading on the black connection, replace Sail Switch.

BLUE: 1

Power from the Thermostat. The Thermostat provides power to the furnace as a signal rather than typical, straight DC voltage. With the meter attached to the blue wire, you will see varying voltages displayed, rather than one solid reading like you will see with our standard furnace. If no reading, the Thermostat is probably defective. Before the Thermostat is replaced, check all wiring.

BLUE: 2

Power from Control Board, to the Ignition Board. Reading at the blue 2 is straight DC voltage. There is no reading at this location when the Thermostat is in the fan only mode. When the Thermostat is turned to heat mode, you will see a reading at blue 2. If there is no power on blue 2 when the thermostat is in heat mode, replace the Control Board.

ORANGE:

Ignore

BROWN:

Power from Control Board to third coil on Valve, high heat only. During low heat mode there will be no reading at the brown wire connection. When the mode is changed to high heat there will be a solid voltage reading at this location. If no reading during high heat, replace Control Board.

FURNACE -Electronic Ignition Model

TROUBLE SHOOTING GUIDE

Effective: 8/10/98

Guides are only intended for use on Atwood[®] products by service technicians who have successfully completed Atwood[®] training. This guide should be used in conjunction with the appropriate Instruction Manual provided with the product and any applicable Industry Standards. This is not intended to be a complete list. Please direct questions concerning service of Atwood[®] products to 866-869-3118 option 5 before proceeding.

CAUSE	SOLUTION
BURNER FAILS TO IGNITE AND - BLOWER FAILS TO RUN <hr style="display: inline-block; width: 300px; vertical-align: middle;"/>	
No electrical power to the furnace -----	Reconnect or replace power source.*
Thermostat defective -----	Replace thermostat
Thermostat wires broken or shorted -----	Replace wire or wires*
Current overload protector device -----	Reset circuit breaker. Check amp draw from motor
Defective or tripped (circuit breaker). -----	According to furnace's specifications.
Blower relay defective -----	Replace relay
Wire off motor -----	Reconnect wire
Wire off relay -----	Reconnect wire
Improper ground -----	Clean and secure grounds*
Blower motor defective -----	Replace motor
BLOWER RUNS - BUT FAILS TO IGNITE <hr style="display: inline-block; width: 300px; vertical-align: middle;"/>	
Low Voltage/High Voltage -----	Correct Power Supply*
Gas pressure incorrect -----	Set pressure to a minimum of 11" W.C. with all appliances running. (Replace regulator if not obtainable).*
Furnace grounding wires not secure -----	Clean and secure grounds established*
Air intake restricted -----	Clean air intake.*
12 volt polarity reversed -----	Correct polarity*
Motor running slow -----	Check voltage first. If 12 VDC while running, replace motor.
Exhaust blocked -----	Clean exhaust.*
Combustion air wheel loose -----	Reposition and tighten.
Sail switch defective or wire off -----	Reconnect wire or replace.
Limit switch defective or wire off -----	Reconnect wire or replace.
Edge connector on circuit board dirty -----	Clean with pencil eraser*
Circuit Board defective -----	Clean plug contacts. If still defective, replace. (check on board tester when possible).
Gas valve defective -----	Replace valve or valve coil, depending on problem encountered.
Main burner orifice blocked -----	Clean main burner orifice or replace.
High tension lead wire defective -----	Replace wire
Electrode out of adjustment -----	Adjust electrode (take care not to damage porcelain).
Electrode defective -----	Replace
Obstructed burner head -----	Clean burner head*
BURNER IGNITES BUT IGNITION SYSTEM "LOCKS OUT" AND TURNS BURNER OFF <hr style="display: inline-block; width: 300px; vertical-align: middle;"/>	
Low gas pressure -----	Set pressure to a minimum of 11" W.C. with all appliances running. Replace regulator if not obtainable.*
Exhaust blocked -----	Clean exhaust.*
Combustion air wheel loose -----	Reposition wheel and tighten
Electrodes out of adjustment -----	Adjust electrode according to furnace specifications.
Electrode defective -----	Replace electrode.
Circuit Board defective -----	Clean plug contacts. If still defective, replace. (Check on board tester when possible).
Flame sensor wire between electrode -----	Replace wire
and circuit board defective	
Air leakage at gaskets -----	Replace gasket
Defective heat exchanger -----	Replace heat exchanger

*indicates NOT covered under warranty.

continued backside

CAUSE	SOLUTION
SOOTING (caused by lazy yellow flame)	
Low gas pressure -----	*Set pressure to a minimum of 11" W.C. with all appliances running. Replace regulator if not obtainable.
Low voltage -----	Correct power supply*
Air leakage at gaskets -----	Replace gaskets
Combustion wheel installed backwards or loose -----	Reposition wheel and tighten.
Blockage in heating chamber or burner head -----	Clean or replace
Faulty motor -----	Replace motor
Wrong vent kit or draft cap -----	Replace with correct vent kit or draft cap
FAN RUNS CONTINUOUSLY WITH THERMOSTAT "OFF"	
Defective thermostat -----	Replace thermostat
Shorted thermostat leads -----	*Replace wire or wires
Defective relay -----	Replace relay
LIMITING = BURNER CYCLING ON AND OFF - BLOWER RUNS CONSTANTLY WITH THERMOSTAT ON	
Restricted or insufficient discharge ducting -----	a. Ducting must meet furnace's minimum requirements.* b. No excess ducting or unnecessary bends.* c. All closeable registers must be fully open and unrestricted.*
Furnace over fired -----	Set gas pressure to a minimum of 11" W.C. with all appliances running replace regulator, if not obtainable. Also, check main burner orifice, it must comply with furnace's specifications.*
Restricted return air supply -----	Make sure return air meets furnace minimum requirements.*
Defective limit switch -----	Replace limit switch
BLOWER SHUTS OFF AT SAME TIME BURNER SHUTS OFF	
Wired wrong -----	*Correct wiring
Faulty relay -----	Replace relay.
BLOWER VIBRATES OR IS NOISY	
Motor mount loose -----	Tighten motor mounting bracket a. Ducting must meet furnace's minimum requirements* b. No excess ducting or unnecessary bends.* c. All closeable registers must be fully open and unrestricted.
Damaged blower wheel -----	Replace blower wheel.
Motor shaft bent -----	Replace motor
INSUFFICIENT HEAT	
Furnace under fired -----	1. Set gas pressure to 11" W.C. with all appliances running, replace regulator if not obtainable. Also, check main burner orifice, it must comply with furnace's specifications. 2. Check ducting and return air according to furnaces specifications.*
Furnace improperly sized for coach/or conditions -----	Replace furnace with proper size.

FURNACE - Pilot Model

TROUBLE SHOOTING GUIDE

Effective: 8/10/98

Guides are only intended for use on Atwood® products by service technicians who have successfully completed Atwood® training. This guide should be used in conjunction with the appropriate Instruction Manual provided with the product and any applicable Industry Standards. This is not intended to be a complete list. Please direct questions concerning service of Atwood® products to 866-869-3118 before proceeding.

CAUSE	SOLUTION
BURNER FAILS TO IGNITE AND - BLOWER FAILS TO RUN	
No electrical power to the furnace	Reconnect or replace power source.*
Current overload protector device	Reset circuit breaker. Check amp draw from motor defective or tripped (circuit breaker).according to furnace's specifications.
Thermostat defective	Replace thermostat.
Thermostat wires broken	Replace wire or wires.
Thermostat located in high area	Relocate thermostat.
Blower motor defective	Replace motor.
Blower relay defective	Replace relay.
Wire off motor	Reconnect wire.*
Wire off relay	Reconnect wire.*
Improper ground	Clean and secure grounds.*
BLOWER RUNS - BUT FAILS TO IGNITE	
Low Voltage/High Voltage	Correct power supply.*
12 volt polarity reversed	Correct polarity.*
Furnace grounding wires not secure	Clean and secure grounds established*
Gas valve defective	Replace valve or valve coil, depending on problem encountered.
Gas pressure incorrect	*Set pressure to a minimum of 11" W.C. with all appliances running. (Replace regulator if not obtainable).
Limit switch defective or wire off	Reconnect wire or replace.
Sail switch defective or wire off	Reconnect wire or replace.
Burner orifice blocked	Clean main burner orifice or replace.
Combustion air wheel loose	Reposition and tighten.
Burner head adjustment	Reposition and tighten. Adjust burner according to furnace specifications.
Exhaust blocked	Clean exhaust.*
Air intake restricted	Clean air intake.*
Broken or loose wire	Replace or tighten*
Motor running slow	Check voltage first. If 12 VDC while running, replace motor.*
Pilot orifice plugged	Clean or replace orifice
Thermocouple defective	Replace thermocouple
Pilot assembly defective	Replace pilot assembly
BURNER CYCLING ON AND OFF - BLOWER RUNS CONTINUOUSLY WITH THERMOSTAT "ON"	
Restricted return air supply	Make sure return air meets furnace's minimum requirements.
Restricted discharge duct system	a. Make sure ducting meets furnace's minimum requirements.* b. Make sure there is no excess ducting or unnecessary bends.* c. Make sure any closeable registers are fully open and unrestricted.
Defective limit switch	Replace limit switch.*
Furnace over fired	Set gas pressure to a minimum of 11" WC with all appliances running. Replace regulator if not obtainable. Also, check main burner orifice, it must comply with furnace's specifications.

*indicates NOT covered under warranty.

CAUSE	SOLUTION
BLOWER SHUTS OFF AT SAME TIME BURNER SHUTS OFF	
Faulty relay -----	Replace relay
Thermostat wired wrong -----	Correct wiring*
BURNER FAILS TO IGNITE AND - BLOWER FAILS TO RUN	
No electrical power to the furnace -----	Reconnect or replace power source.*
BLOWER VIBRATES OR IS NOISY	
Damaged blower wheel -----	Replace blower wheel.
Motor shaft bent -----	Replace motor
Loose motor -----	Tighten motor mounting bracket.
Restricted discharge duct system -----	a. Make sure ducting meets furnace's minimum requirements.*
	b. Make sure there is no excess ducting or unnecessary bends.*
	c. Make sure any closable registers are fully open and unrestricted.*
PILOT FAILS TO IGNITE OR STAY LIT	
Plugged pilot orifice -----	Clean or replace pilot orifice.
Electrode out of adjustment -----	Adjust electrode to furnace's specifications.
Pilot tube defective -----	Replace tube.
Piezo sparker defective -----	Replace sparker
Defective thermocouple -----	Replace thermocouple.
Defective valve -----	Replace valve.
Vent kit not sealed -----	Seal vent where it meets with the furnace.*
MICA window missing -----	Replace MICA
Combustion air hose plugged or collapsed -----	Replace combustion hose
Water in propane -----	Add alcohol to the propane bottles.*
Burner plate gasket or pilot gasket not sealed -----	Replace gaskets
LAZY FLAME (yellow)	
High gas pressure -----	*Set pressure to a minimum of 11" W.C. with all appliances running. Replace regulator if not obtainable.
Burner out of adjustment -----	Adjust burner according to furnace specification.
Combustion wheel installed backwards or loose -----	Reposition wheel and tighten.
Air leakage at gaskets -----	Replace gaskets
Low voltage -----	Correct power supply*
FAN RUNS CONTINUOUSLY WITH THERMOSTAT "OFF"	
Shorted thermostat leads -----	Replace wire or wires.
Defective relay -----	Replace relay
Defective thermostat -----	Replace thermostat
INSUFFICIENT HEAT	
Furnace under fired -----	1. Set gas pressure to 11" W.C. with all appliances running, replace regulator if not obtainable. Also, check main burner orifice, it must comply with furnace's specifications.*
	2. Check ducting and return air according to furnaces specifications.
Furnace limiting -----	Check ducting and return air. It must comply with furnace's specifications.*

*indicates NOT covered under warranty.

Furnace Technology

Terminology	Definition	Terminology	Definition
AC Motor	A Motor operating on 120 volts A.C.	Fan Switch	A normally open switch that closes at a set temperature allowing power flow to the motor, and allows the motor to run after the burner shuts down to cool down the combustion chamber.
Adjustable Register	A heat outlet capable of being opened and closed.	Field Electrical Hook Up	The Wiring Harness that connects the furnace to the coach wiring.
Air Speed Indicators	(Velometer) A tool used to measure the velocity of air movement from a duct outlet.	Flair Fitting	Brass fitting used to connect the furnace to the gas supply.
Ambient Air Temp.	Current room air temperature.	Flash Back	A condition when the flame burns on the inside of the burner.
Amp Draw	The amount of current required to run a given component.	Flex Ducting	A round, collapsible, wire reinforced product used to deliver the heated air from the furnace to the living area.
Burn Off	The time it takes for the furnace Combustion Chamber to burn off all the oils and lubes used in production.	Forced Combustion	A type of combustion when a second air wheel is used to force air into the burner to increase the air to gas mixture.
Burner	The component in the furnace where combustion occurs creating the main source of heat within the Combustion Chamber.	Gas Pressure	The amount of gas being supplied to the furnace, measured in column inches.
Burner Flame Lift Off	When the flame lifts off the Burner.	Gas Valve	A mechanical device by which the flow of gas is started or stopped by an electrical signal.
Candling	A small flame at the Main Burner Orifice when the Valve is in a closed position.	Gravity Combustion	A type of combustion using no other source but gravity to supply combustion air for the proper air to gas mixture at the burner.
Circuit Breaker	A normally closed switch that automatically interrupts an electrical circuit under abnormal AMP loads.	Hard Ducting	(See Floor Ducting)
Circulating Air	Air drawn into the furnace by the Main Air Wheel then heated and forced out the heat outlets.	Heat Anticipator	Component of a Thermostat that can be adjusted to increase or decrease the length of the heating cycle.
Combustion Air	Air supplied to the Burner specifically for combustion.	Heating Element	(See Combustion Chamber)
Combustion Chamber	The component where combustion occurs and transfers heat to circulating air.	High Tension Lead Wire	The wire carrying the high tension spark from Circuit Board to Electrode.
Converter	Component that is used to change 120 VAC to 12 VDC. Available in linear, pharo-resonant and switching styles.	Incline Manometer	Tool used to measure Static Pressure of the furnace plenum.
Cycling	The normal on and off operation of the furnace controlled by the thermostat.	Junction Box	A box inside or outside of the furnace where electrical connections are made.
DC Motor	Motor operating on 12 VDC.	Limit Switch	A normally closed switch that opens at a set temperature which does not allow the furnace to over heat.
Circuit Board	A Circuit Board in the furnace controlling the ignition sequence and proves a flame has been established.	Limiting	A condition caused by over-heating the Limit Switch The burner turns on and off during a heating cycle.
Electrode	Both a conductor establishing an electrical spark at the Burner to ignite the air to gas mixture, and a sensor to signal the circuit board the flame is established.		

Terminology	Definition	Terminology	Definition
Loud Ignition	A condition where the air to gas mixture is off and the burner lights with a loud noise.	Sooting	A black powder that builds up around the Burner in the Combustion Chamber normally caused by an improper air to gas mixture.
Main Burner Orifice	The Orifice regulating the amount of gas delivered to the Burner.	Start Capacitor	A device giving an electrical boost to start an A/C motor.
Manifold	The tube delivering gas from the Gas Valve to the Main Burner Orifice.	Static Pressure	Amount of pressure inside the Furnace Plenum or Duct caused by the ability to dispel air out the duct outlets.
Manual Reset Switch	A Limit Switch manually reset after reaching it's set temperature.	Thermocouple	Safety device used to generate an electrical signal sent to the Gas Valve to hold the Pilot Flame on.
MicroAmps:	Amps sent back to the Circuit Board to establish a flame is present.	Thermopile	Safety device much like a Thermocouple. It gives a much higher electrical output, also used to open the Main Valve with a Thermostat.
Millivolts	Voltage created by a Thermocouple or Thermopile.	Thermostat	Device used with the Furnace to regulate the room air temperature.
Multi-Try Circuit Board	Circuit Board providing 2 or 3 trials for ignition.	Time Delay Relay	A normally open Relay. When activated closes, sending power to the Blower Motor. When deactivated allows Blower to run for a period of time to cool the Combustion Chamber.
OEM	A manufacture of recreational vehicle, "Original Equipment Manufacture".	Transformer	Device reducing 120 VAC to 24 VAC.
Pig Tail	(see Field Electrical Hook Up)	U-Tube	Tool measuring gas pressure in inches of water.
Pilot Light Assembly	An assembly used to light the burner.	VOM	Meter reading voltages and OHMs resistance.
Plenum	The metal box enclosing the Combustion Chamber directing the heated air to the duct outlets.	Valve Coil	Electromagnetic Coil on the Gas Valve holding and releasing a plunger to start and stop the flow of gas.
Power Supply	A source of electrical power, usually a converter, inverter or battery.		
Primary Air	A portion of the combustion air mixing directly in the Burner at the Main Burner Orifice.		
Resonating	A whining noise created by a Burner with an improper air to gas mixture.		
Return Air	Air pulled into the furnace, heated, force through duct outlets back to the living area.		
Safety Lockout	Circuit Board not sensing a flame, cutting power to the Gas Valve.		
Sail Switch	Air prover switch that will engage when the Blower Motor reaches 75% of the rated RPM.		
Secondary Air	Combustion Air that helps complete the combustion after the Burner is on.		
Sensor Wire	Wire carrying an electrical signal from the Electrode back to the Circuit Board on a remote sense system.		
Slope Gauge	(see Incline Manometer)		



Atwood Mobile Products LLC
 1120 North Main Street • Elkhart, IN 46514
PHONE: 574•264•2131 **FAX:** 574•262•2550
INTERNET: <http://www.atwoodmobile.com>



MPD 32072

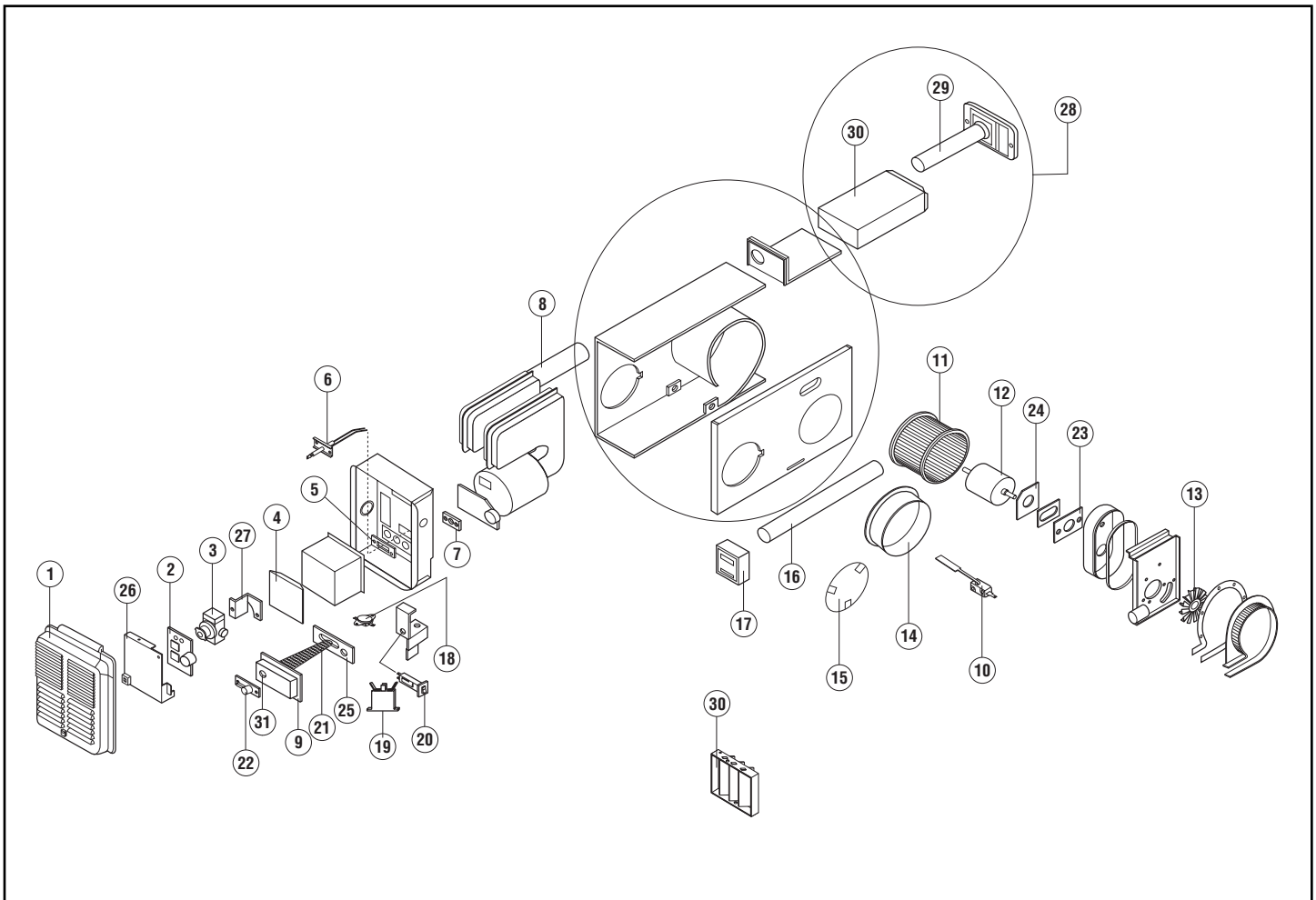
hydro flame™

**7900-II / 8000-II
 Series Furnace**

Technical Installation Manual

ENGLISH, FRANCAIS (et Canada)

•Installation
 Effective 5/19/06



Item #	Description of Parts				
1	Front Door	10	Sail Switch (80-II)	21	Burner Head
2	Electronic Ignition Board	11	Blower Wheel (79-II)	22	Manifold
3	Valve	11	Blower Wheel (80-II)	23	Motor Gasket
4	Front Discharge Cover Plate	12	Motor (79-II)	24	Motor Spacer
5	Electrode Cover Plate	12	Motor (80-II)	25	Small Burner Air Baffle - SPECIFY RATE
6	Electrode	13	Combustion Wheel	25	Large Burner Air Baffle - SPECIFY RATE
7	Electrode Gasket	14	Duct Adapter	26	Electronic Ignition Mounting Plate
8	Heat Exchanger	15	Duct Cover Plate	27	Valve Bracket
9	Burner Plate Gasket	16	Air Hose	28	Vent Kit Specify Length
10	Sail Switch (79-II)	17	Thermostat -SPECIFY COLOR	29	Exhaust Tube Assembly - SPECIFY LENGTH & MATERIAL
		18	Limit Switch (L-170)	30	Air Box Assembly - SPECIFY LENGTH
		19	Relay	31	Orifice - SPECIFY RATE
		20	On/Off Circuit Breaker		

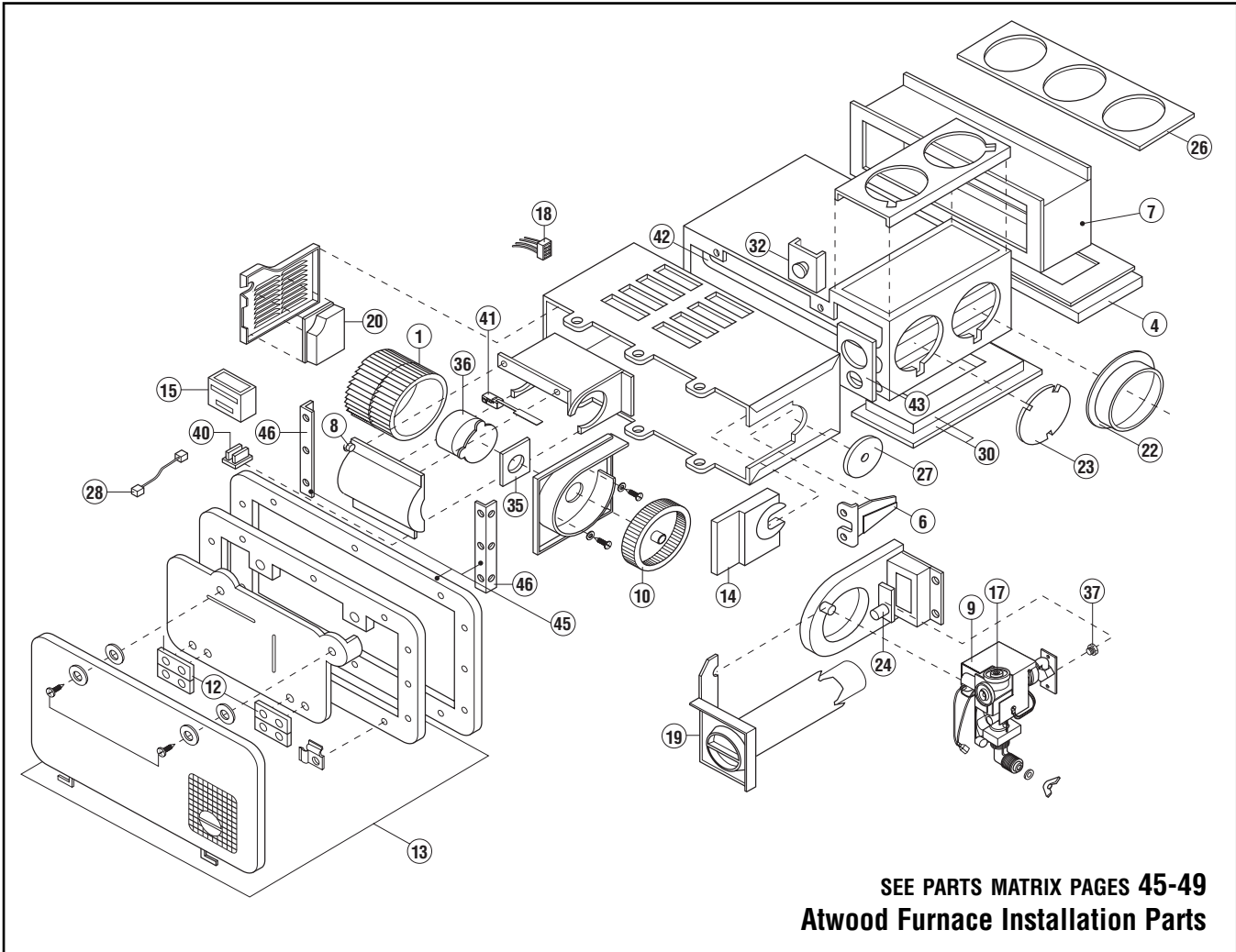


Atwood Mobile Products LLC
 1120 North Main Street • Elkhart, IN 46514
PHONE: 574•264•2131 **FAX:** 574•262•2550
INTERNET: http://www.atwoodmobile.com



EXCALIBUR 8500-III

October 1997



SEE PARTS MATRIX PAGES 45-49
Atwood Furnace Installation Parts

Drawing

#	Description of Parts	8516	8520	8525	8531	8535
1	Blower Wheel					
4	Asmby, Plate & Gasket					
6	Burner Asmby					
7	Casing Extension Box					
8	Circuit Breaker					
9	Replacement Coil					
10	Combustion Wheel					
12	Door Hinges					
13	Door Asmby	◆	◆	◆	◆	◆
14	Slide Plate					
15	Thermostat					
17	Valve					
18	Wiring Harness					
19	Draft Cap Asmby					
20	Electronic Ignition Board (05-30)					
22	Duct Adapters					
23	Duct Cover Plate					

Drawing

#	Description of Parts	8516	8520	8525	8531	8535
24	Electrode					
25	Electrode Gasket					
26	Flex Adapter Plate Asmby					
27	Gas Inlet Plug					
28	High Tension Lead					
30	Bottom Plenum Plate					
32	Limit Switch					
35	Motor Gasket					
36	Motor Kit					
37	Orifice					
40	Relay					
41	Sail Switch					
42	Element Asmby					
43	Exhaust Wall Gasket					
45	Recess Pan Asmby	◆	◆	◆	◆	◆

◆ Order by Color



Atwood Mobile Products LLC
 1120 North Main Street • Elkhart, IN 46514
 PHONE: 574•264•2131 FAX: 574•262•2550
 INTERNET: <http://www.atwoodmobile.com>



LITERATURE NUMBER **MPD 33179**

hydro flame™

8500-IV Series Furnace

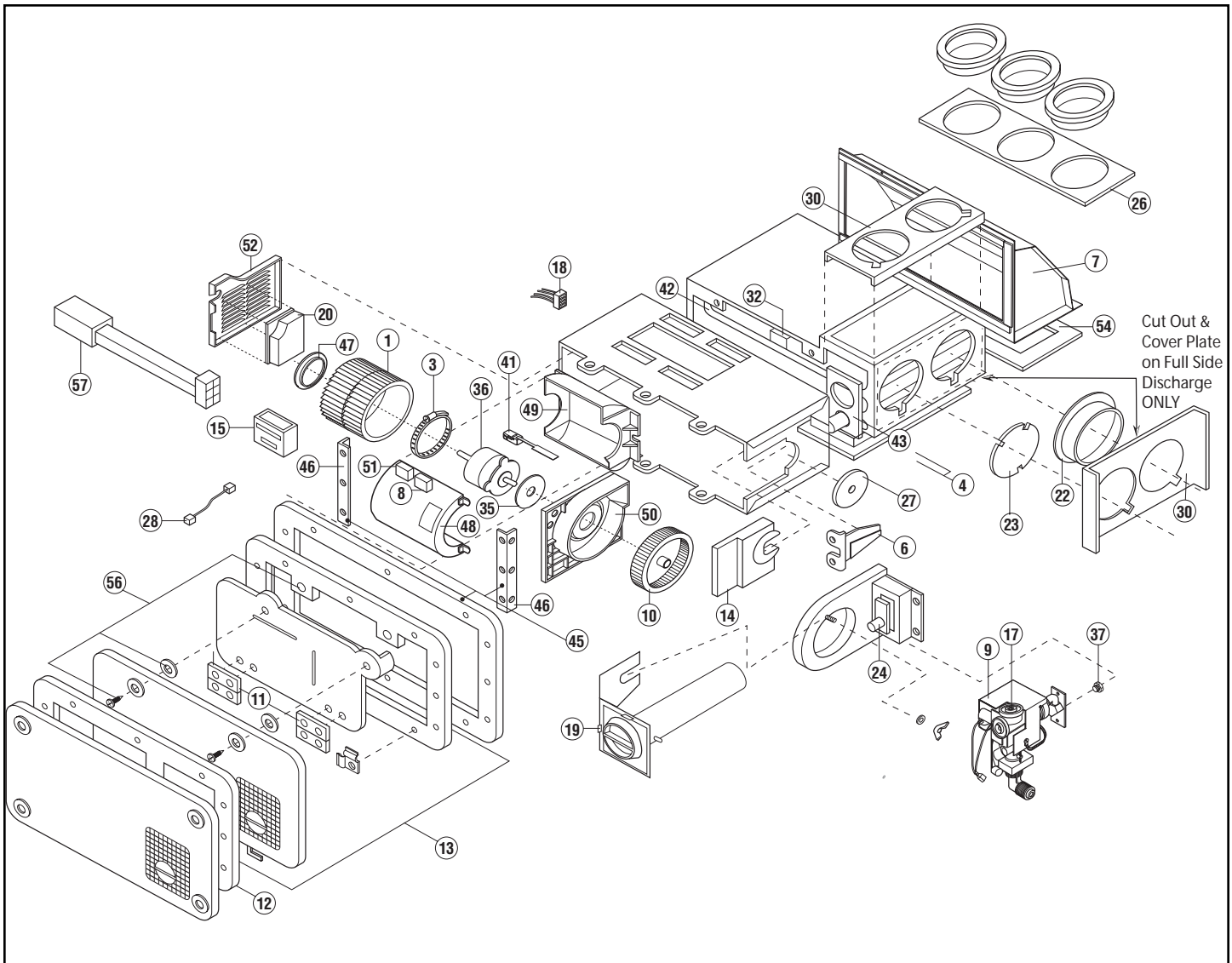
MODELS 8516, 8520, 8525,
8531, 8535

Technical Installation Manual

•Installation •Maintenance

Effective 4/10/06

ENGLISH, FRANCAIS (et Canada)



DRAWING #	DESCRIPTION				
1	Blower Wheel	18	Field Wiring Harness	42	Element Assembly - specify model
3	Motor Clamp	19	Draft Cap Assembly - Specify model	43	Exhaust Wall Gasket
4	Gasket/Plenum Plate Kit- Top & Bottom	20	Electronic Ignition Board	45	Recess Pan Assembly-SPECIFY COLOR
6	Burner Assembly	22	Duct Adapters	46	Mounting Bracket
7	Extension Box	23	Duct Cover Plate	47	Venturi
8	ON/OFF Switch	24	Electrode	48	Blower Housing Back
9	Replacement Coil	26	Flex Adapter Plate Assembly Kit	49	Blower Housing
10	Combustion Wheel	27	Gas Inlet Plug	50	Motor/Combustion Wall
11	Door Hinges	28	High Tension Lead	51	Circuit Breaker
12	Door, Standard ORDER BY COLOR	30	Top/Bottom/Side Cover	52	Control Board Mounting Bracket
13	Door, Deluxe -SPECIFY COLOR	32	Limit Switch	54	Plenum Plate, Extension Boot
14	Slide Plate	35	Motor Gasket	56	Door Fastener Kit
15	Thermostat - specify color	36	Motor - specify rate	57	Double Housing Field Harness
17	Valve	37	Orifice - specify rate	N/S	High Voltage Lead - noise suppression
		41	Sail Switch		



Atwood Mobile Products LLC
 1120 North Main Street • Elkhart, IN 46514
 PHONE: 574•264•2131 FAX: 574•262•2550
 INTERNET: <http://www.atwoodmobile.com>



LITERATURE NUMBER **MPD 31472**

hydro flame™

8500-IV-LD Series Furnace

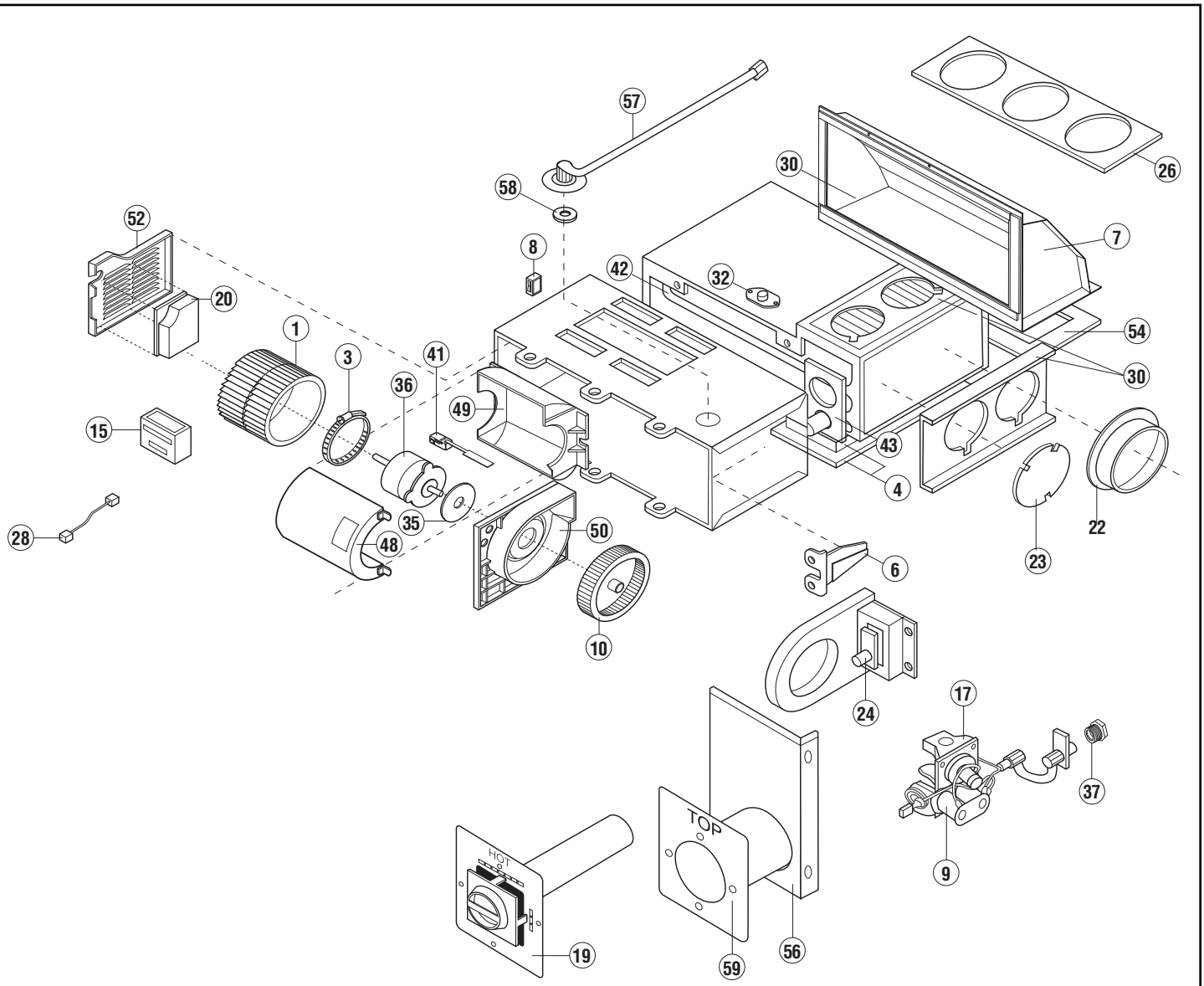
MODELS 8516, 8520,
8525, 8531, 8535

Technical Installation Manual

•Installation •Maintenance

Effective 9/14/04

ENGLISH, FRANCAIS (et Canada)



DRAWING #	DESCRIPTION		
1	Blower Wheel	19	Vent Assembly - Specify Model
3	Motor Clamp	20	Electronic Ignition Board
4	Gasket & Plenum Plate Kit	22	Duct Adapters
6	Burner Assembly	23	Duct Cover Plate
7	Extension Box	24	Electrode
8	ON/OFF Switch / Circuit Breaker - Specify Model	26	Flex Adapter Plate Assembly Kit
9	Replacement Coil	28	High Tension Lead Cover
10	Combustion Wheel	30	Top/Bottom/Side Plate
15	Thermostat - specify color	32	Limit Switch
17	Valve	35	Motor Gasket
		36	Motor - specify rate
		37	Orifice - specify rate
		41	Sail Switch
		42	Element Assembly - specify model
		43	Exhaust Wall Gasket
		48	Blower Housing Back
		49	Blower Housing
		50	Motor/Combustion Wall
		52	Control Board Mounting Bracket
		54	Plenum Plate Extension Box Assembly
		56	Combustion Cover (specify)
		57	Extended Manifold
		58	Gas Line Gasket
		59	Vent Ring



Atwood Mobile Products LLC
 1120 North Main Street • Elkhart, IN 46514
 PHONE: 574•264•2131 FAX: 574•262•2550
 INTERNET: <http://www.atwoodmobile.com>



LITERATURE NUMBER **MPD 32046**

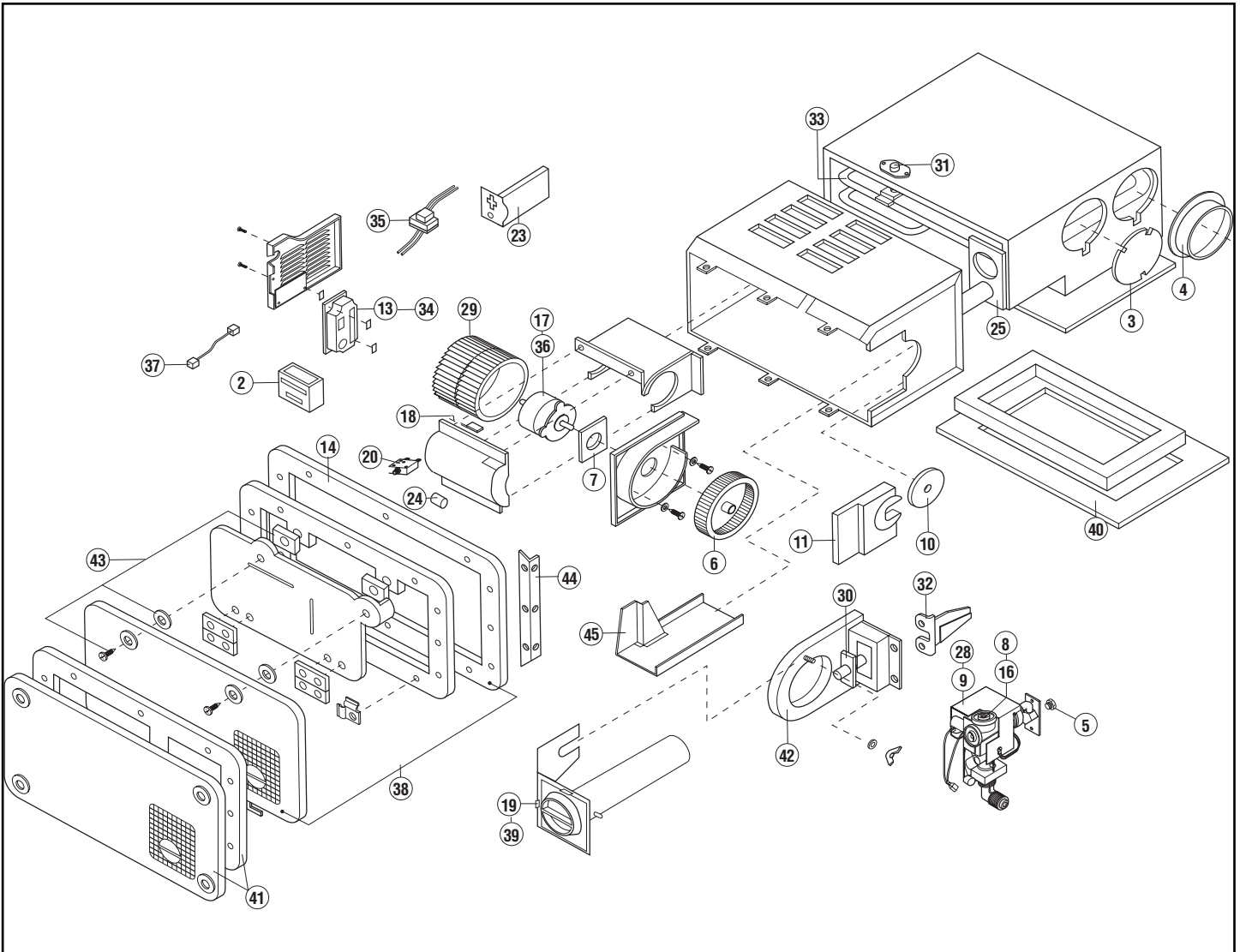
hydro flame®

8900-III Series Furnace
 MODELS 8935, 8940

Technical Installation Manual

ENGLISH, FRANCAIS (et Canada)

•Installation
 Effective 11/27/06



DRAWING #	DESCRIPTION OF PARTS				
1	Relay	16	Valve AC	35	Transformer Assembly AC
2	Thermostat - specify color	17	Motor DC	36	Motor AC
3	Duct Cover Plate	18	Sail Switch	37	High Voltage Wire
4	Duct Adapter	19	Draft Cap Assembly DC/AC35	38	Deluxe Door & Bezel Assembly (MUST ORDER BY COLOR)
5	Orifice — SPECIFY GAS & BTU	20	Circuit Breaker DC	39	Draft Cap Assembly AC/DC 40
6	Combustion Wheel	23	Junction Box Asmby AC	40	Gasket & Plate Assembly
7	Motor Gasket	24	Motor Capacitor AC	41	Standard Door & Bezel Assembly (MUST ORDER BY COLOR)
8	Valve DC	25	Element Exhaust Wall Gasket	42	Combustion Cover
9	Valve Repl Coil DC	28	Valve Replacement Coil AC	43	Door Fastener Kit
10	Gas Inlet Plug	29	Blower Wheel	44	Recess Pan Bracket
11	Slide Plate	30	Electrode	45	Rain Shield
13	Electronic Ignition Board DC Kit	31	Limit Switch	46	Vertical Gasket& Plate Assembly
14	Recessed Pan (MUST ORDER BY COLOR)	32	Burner Assembly		
		33	Element Assembly		
		34	Electronic Ignition Board AC Kit		



Atwood Mobile Products LLC
 1120 North Main Street • Elkhart, IN 46514
 PHONE: 574•264•2131 FAX: 574•262•2550
 INTERNET: <http://www.atwoodmobile.com>



LITERATURE NUMBER **MPD 32047**

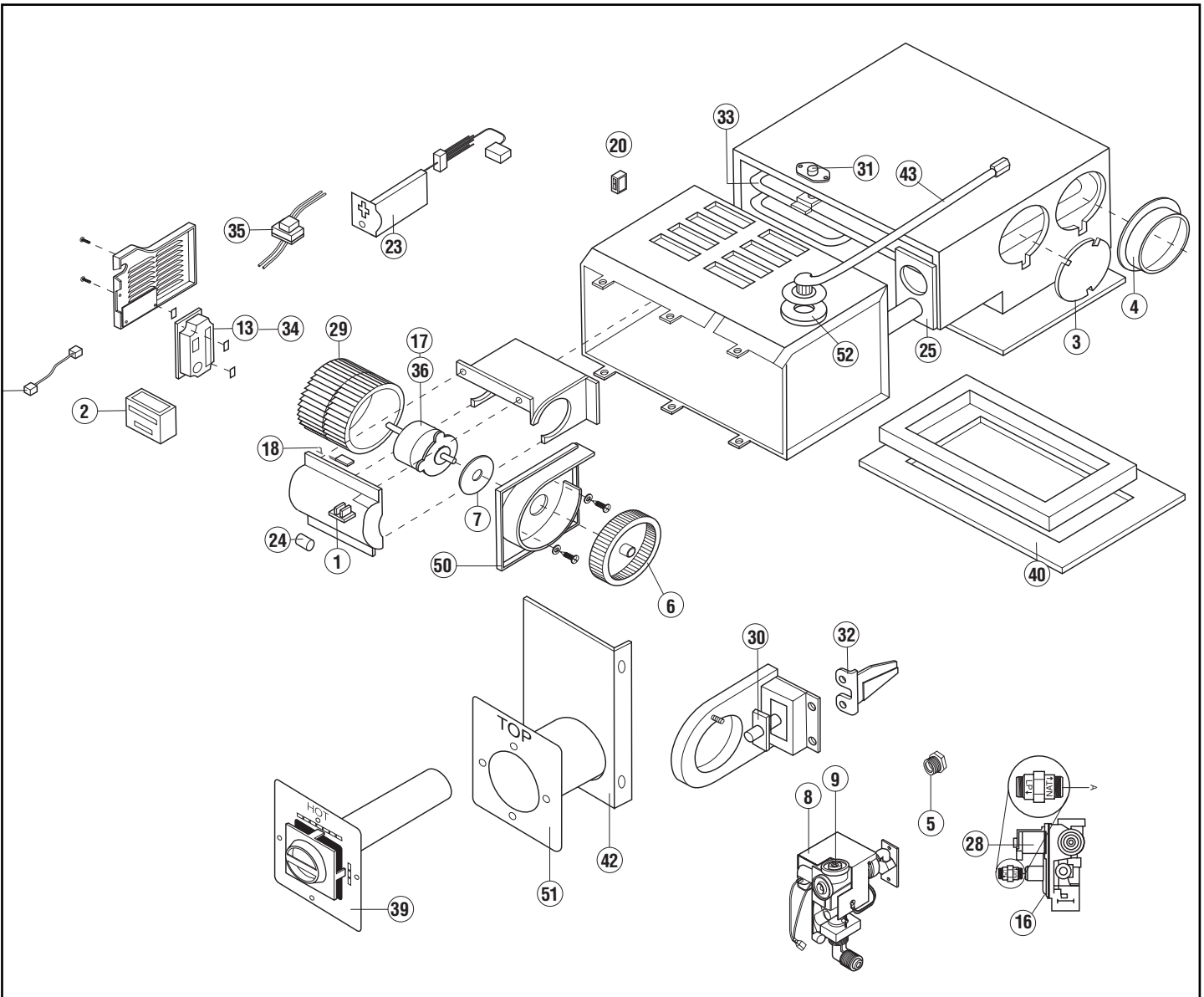
hydro flame™

8900-III-LD Series Furnace
 MODELS 8935, 8940

Technical Installation Manual

ENGLISH, FRANCAIS (et Canada)

•Installation
 Effective 11/27/06



DRAWING #	DESCRIPTION OF PARTS				
2	Thermostat - specify color	18	Sail Switch	35	Transformer Assembly AC
3	Duct Cover Plate	20	Circuit Breaker DC	36	Motor AC
4	Duct Adapter	23	Junction Box Asmby AC	37	High Voltage Wire
5	Orifice — SPECIFY GAS & BTU	24	Motor Capacitor AC	39	Vent Assembly (specify model) 35/40
6	Combustion Wheel	25	Element Exhaust Wall Gasket	40	Gasket & Plate Assembly
7	Motor Gasket	28	Valve Replacement Coil AC	42	Combustion Cover
8	Valve DC	29	Blower Wheel	43	Extended Manifold (specify)
9	Valve Repl Coil DC	30	Electrode	50	Motor Wall - Specify Model
13	Electronic Ignition Board DC Kit	31	Limit Switch	51	Vent Ring
16	Valve AC	32	Burner Assembly	52	Gas Line Gasket
17	Motor DC	33	Element Assembly		
		34	Electronic Ignition Board AC Kit		



Atwood Mobile Products LLC
 1120 North Main Street • Elkhart, IN 46514
 PHONE: 574•264•2131 FAX: 574•262•2550
 INTERNET: <http://www.atwoodmobile.com>



LITERATURE NUMBER **MPD 33939**

hydro flame™

8500-IV

2 Stage Series Furnace

MODELS 1522, 2334

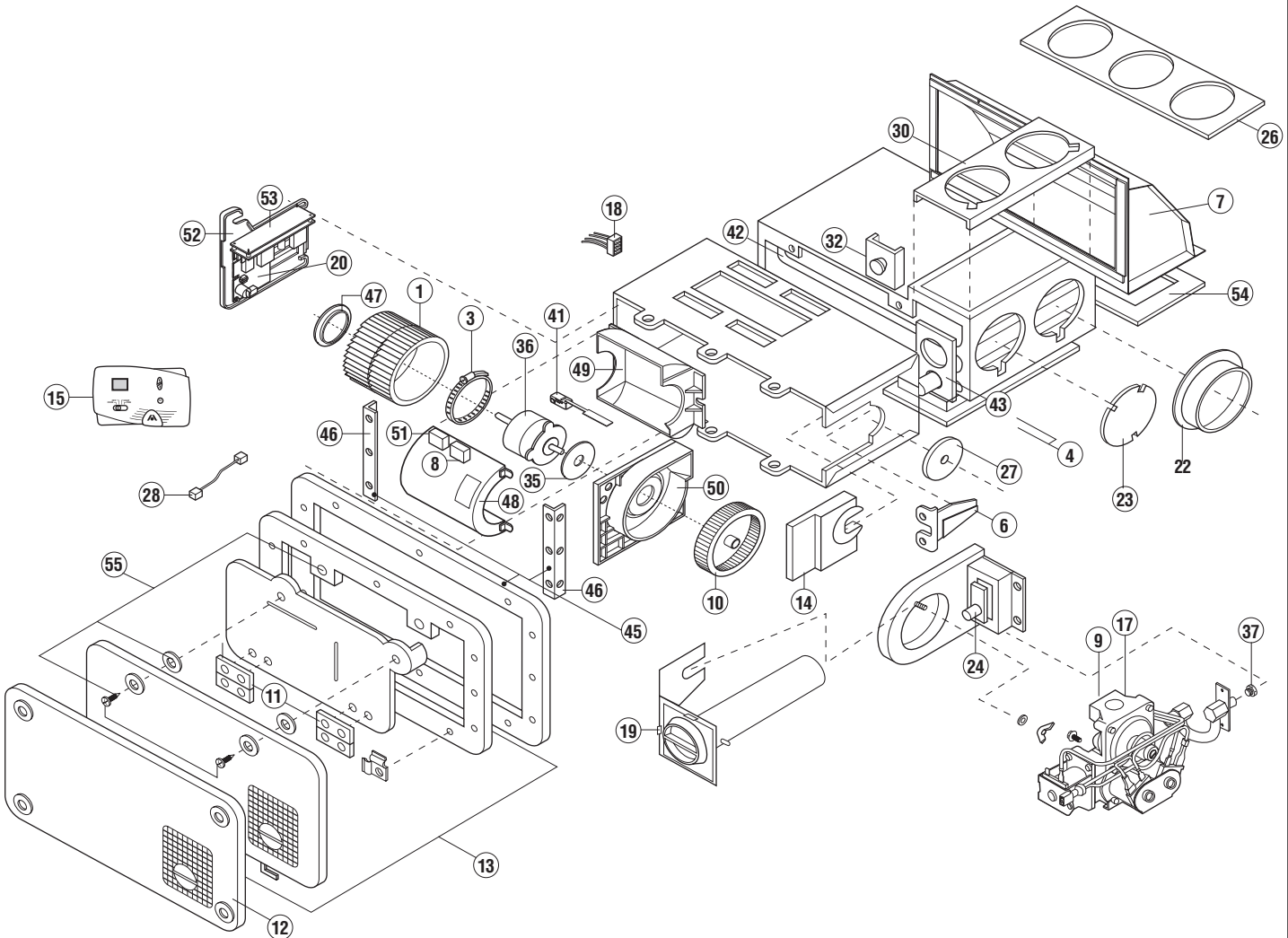
Technical Installation Manual

Patent No US 6,464,000 Other Patents Pending

ENGLISH, FRANCAIS (et Canada)

•Installation •Maintenance

Effective 9/1/03



DRAWING #	DESCRIPTION		DESCRIPTION		DESCRIPTION
1	Blower Wheel	18	Field Wiring Harness	42	Element Assembly - Specify Model
3	Motor Clamp	19	Draft Cap Assembly	43	Exhaust Wall Gasket
4	Gasket & Plenum Plate Kit	20	Electronic Ignition Board	45	Recess Pan Assembly-SPECIFY COLOR
6	Burner Assembly	22	Duct Adapters	46	Mounting Bracket
7	Extension Box	23	Duct Cover Plate	47	Venturi
8	ON/OFF Switch	24	Electrode	48	Blower Housing Back
9	Mounting Bracket Valve	26	Flex Adapter Plate Assembly Kit	49	Blower Housing
10	Combustion Wheel	27	Gas Inlet Plug/Seal	50	Motor/Combustion Wall
11	Door Hinges	28	High Tension Lead	51	Circuit Breaker
12	Door, Standard ORDER BY COLOR	30	Top/Bottom/Side Cover Plate	52	Control Board Mounting Bracket
13	Door, Deluxe -SPECIFY COLOR	32	Limit Switch	53	Speed Control Board
14	Slide Plate	35	Motor Gasket	54	Adapter Plate
15	Dual Thermostat	36	10 VDC Motor - Specify Model	55	Door Fastener Kit
17	Valves - (1522 = ORANGE) (2334 = WHITE)	37	Orifices - (1522 = #54) (2334 = #51)	NS	High Tension Lead Noise Suppression
		41	Sail Switch		



Atwood Mobile Products LLC
 1120 North Main Street • Elkhart, IN 46514
 PHONE: 574•264•2131 FAX: 574•262•2550
 INTERNET: <http://www.atwoodmobile.com>



LITERATURE NUMBER MPD 31473

hydro flame™

8500-IV-LD

2 Stage Series Furnace

MODELS 1522, 2334

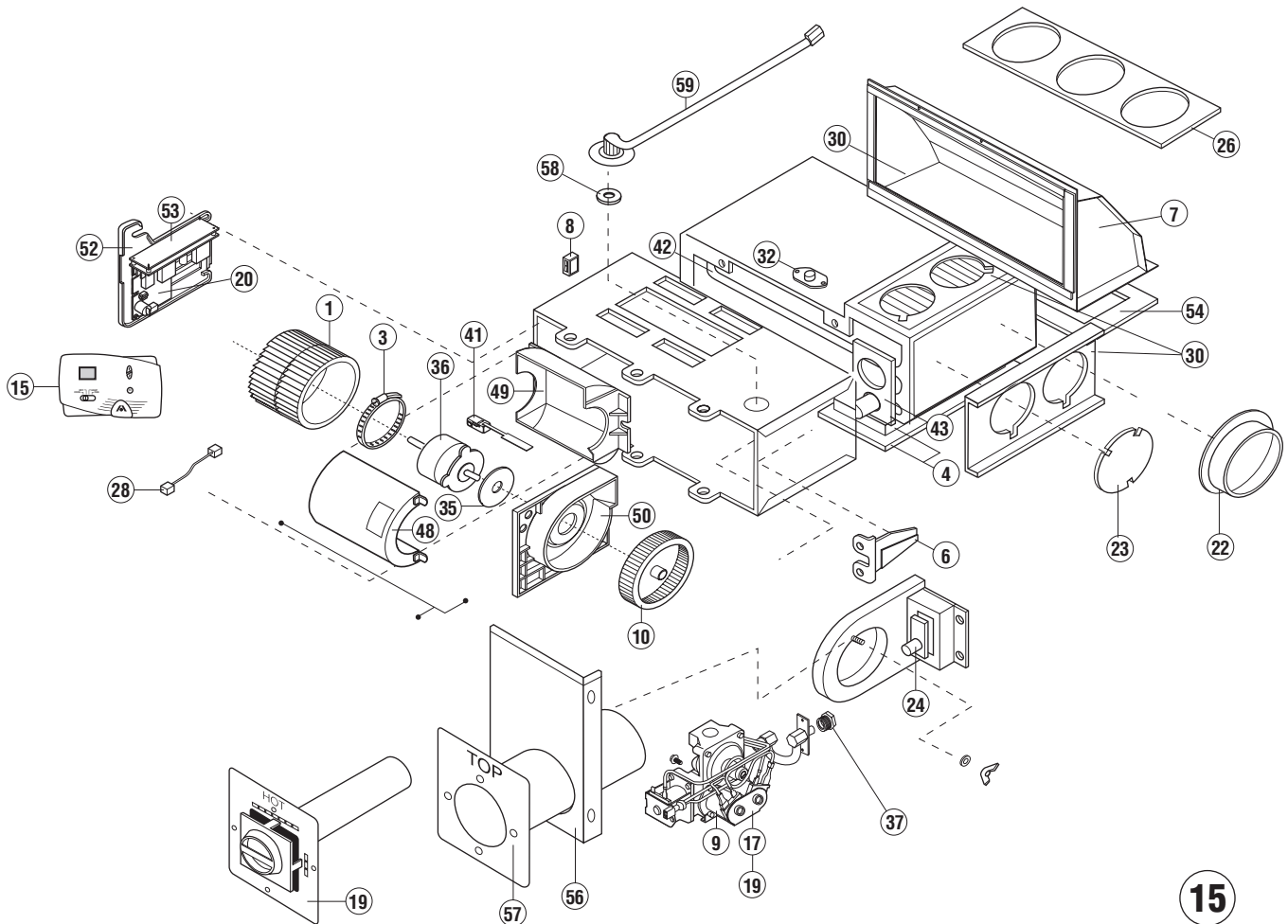
Technical Installation Manual

Patent No US 6,464,000. 6,719,207. Other Patents Pending

ENGLISH, FRANCAIS (et Canada)

•Installation •Maintenance

Effective 9/13/04



15

DRAWING #	DESCRIPTION		
1	Blower Wheel	20	Electronic Ignition Board
3	Motor Clamp	22	Duct Adapters
4	Gasket & Plenum Plate Kit	23	Duct Cover Plate
6	Burner Assembly	24	Electrode
7	Extension Box	26	Flex Adapter Plate Assembly Kit
8	ON/OFF Switch C/B - Specify Model	28	High Tension Lead
9	Valve Coil Replacement	30	Top/Bottom/Side Side Cover Plate
10	Combustion Wheel	32	Limit Switch
15	Dual Thermostat	35	Motor Gasket
17	Valves - (1522 ORANGE) (2334 = WHITE)	36	Motor - Specify Model
19	Vent Assy - Specify Models	37	Orifices - (1522 = #54) (2334 = #51)
		41	Sail Switch
		42	Element Assembly - Specify Model
		43	Exhaust Wall Gasket
		48	Blower Housing Back
		49	Blower Housing
		50	Motor/Combustion Wall
		52	Control Board Mounting Bracket
		53	Motor Speed Control Board
		54	Adapter Plate
		56	Combustion Cover
		57	Vent Ring
		58	Gas Line Gasket
		59	Gas Line Manifold



Atwood Mobile Products LLC
 1120 North Main Street • Elkhart, IN 46514
 PHONE: 574-264-2131 FAX: 574-262-2550
 INTERNET: <http://www.atwoodmobile.com>



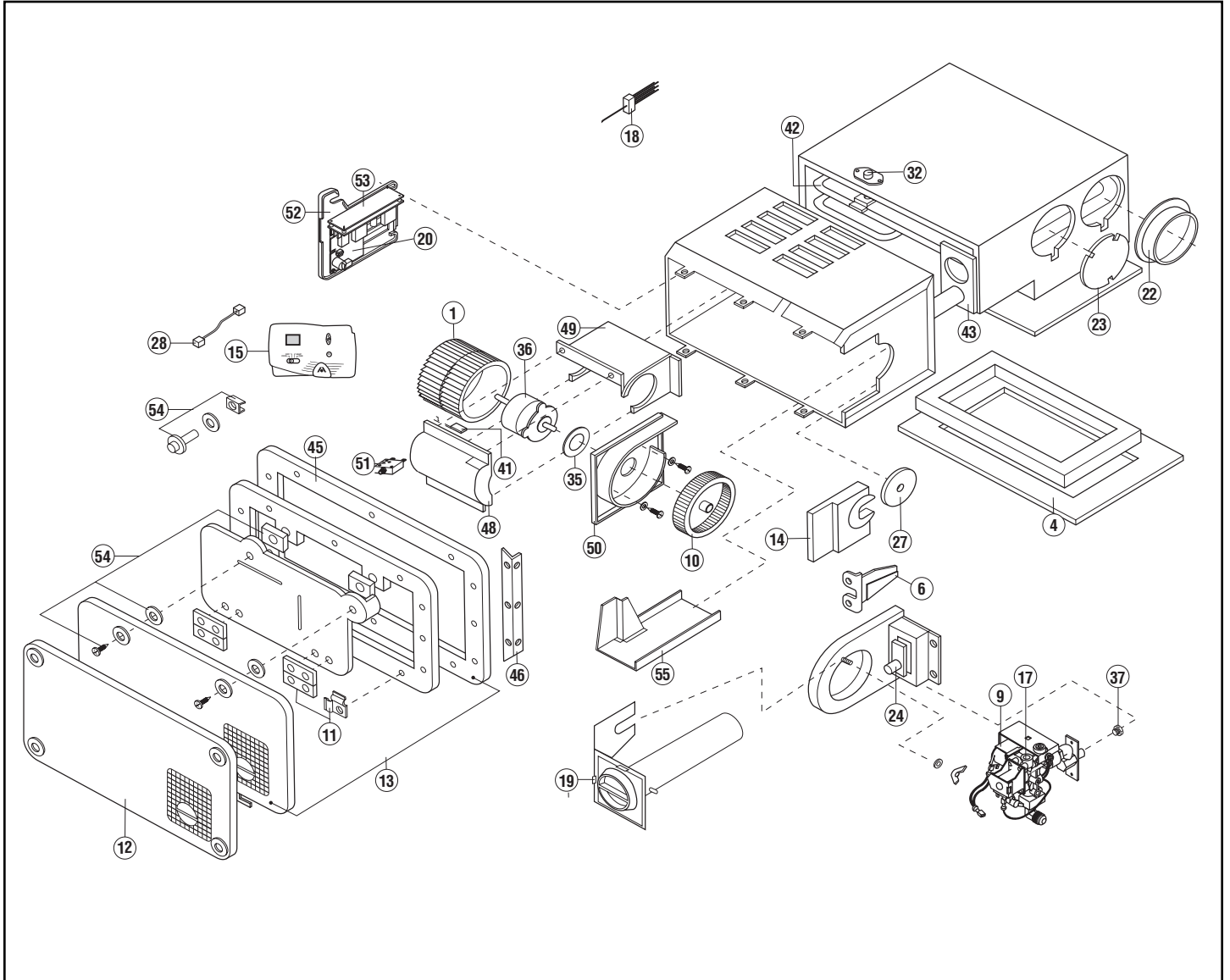
LITERATURE NUMBER **MPD 32044**
hydro flame™

8900-III
2 Stage Series Furnace
MODEL 2540

TECHNICAL INSTALLATION MANUAL
 PATENT 6,719,207. OTHER PATENTS PENDING

ENGLISH, FRANCAIS (et Canada)

•Installation
 Effective 11/27/06



DRAWING #	DESCRIPTION		DESCRIPTION		DESCRIPTION
1	Blower Wheel	19	Draft Cap Assembly	43	Exhaust Wall Gasket
4	Gasket & Plenum Plate Kit	20	Electronic Ignition Board	45	Recess Pan Assembly-SPECIFY COLOR
6	Burner Assembly	22	Duct Adapters	46	Mounting Bracket
9	Mounting Bracket Valve	23	Duct Cover Plate	48	Blower Housing Back
10	Combustion Wheel	24	Electrode	49	Blower Housing
11	Door Hinges	27	Gas Inlet Plug	50	Motor/Combustion Wall
12	Door, Standard ORDER BY COLOR	28	High Tension Lead	51	Circuit Breaker / Switch
13	Door, Deluxe -SPECIFY COLOR	32	Limit Switch	52	Control Board Mounting Bracket
14	Slide Plate	35	Motor Gasket	53	Speed Control Board
15	Dual Thermostat	36	10 VDC Motor	54	Door Fastener Kit
17	Valve	37	Orifice - #49	55	Rain Shield
18	Field Wiring Harness	41	Sail Switch	NS	High Voltage Lead Noise Suppression
		42	Element Assembly		



Atwood Mobile Products LLC
 1120 North Main Street • Elkhart, IN 46514
 PHONE: 574•264•2131 FAX: 574•262•2550
 INTERNET: <http://www.atwoodmobile.com>



LITERATURE NUMBER **MPD 32045**

hydro flame™

8900-III-LD

2 Stage Series Furnace

MODEL 2540

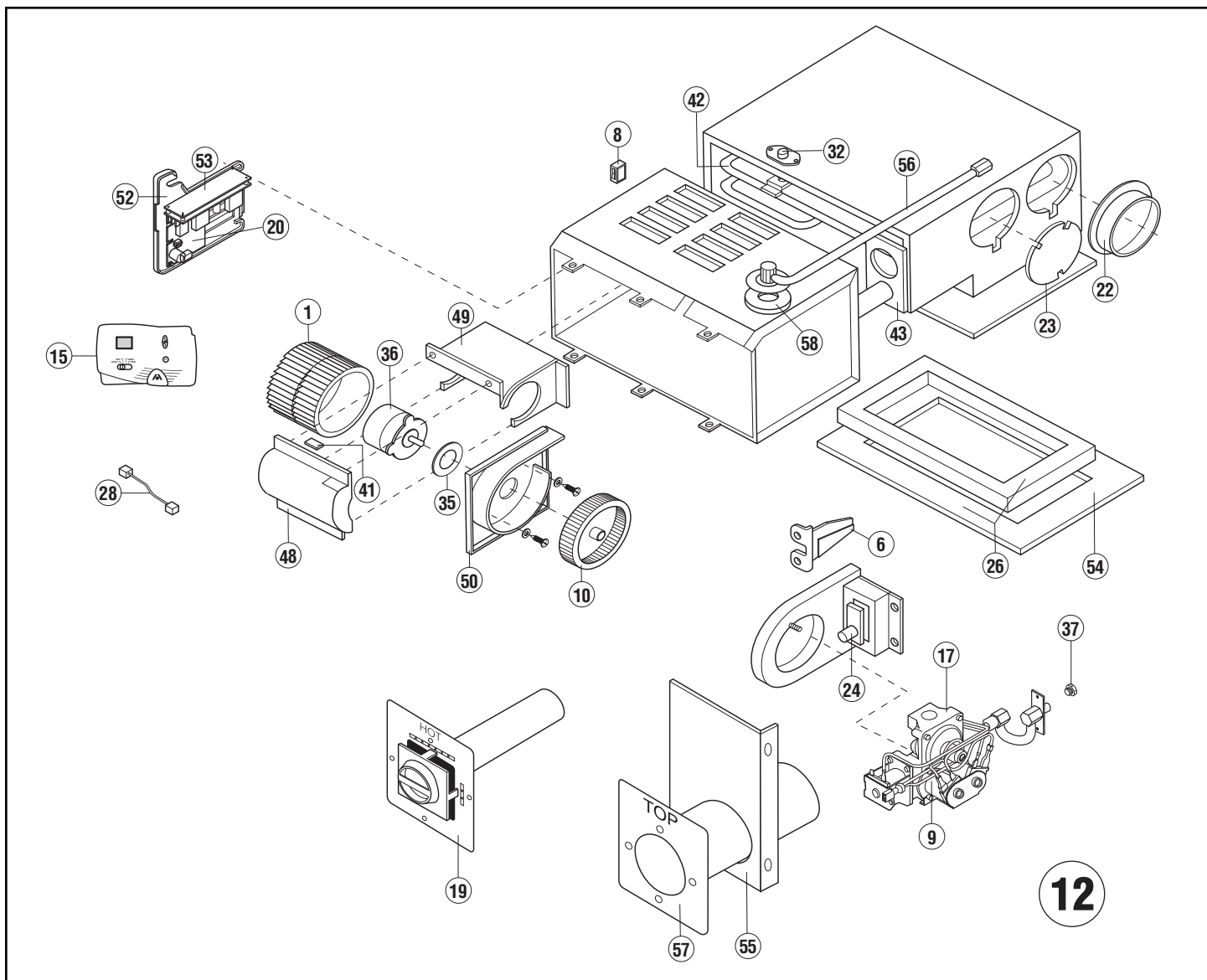
Technical Installation Manual

Patent No US 6,464,000. 6,719,207. Other Patents Pending

ENGLISH, FRANCAIS (et Canada)

•Installation

Effective 11/27/06



DRAWING #	DESCRIPTION		
1	Blower Wheel	23	Duct Cover Plate
6	Burner Assembly	24	Electrode
8	ON/OFF Switch / Circuit Breaker	26	Adapter Plate Assembly
9	Valve Coil Replacement (DC)	28	High Tension Lead
10	Combustion Wheel	32	Limit Switch
15	Dual Thermostat	35	Motor Gasket
17	Valve	36	Motor
19	Vent Assembly	37	Orifice - #49
20	Electronic Ignition Board	41	Sail Switch
22	Duct Adapters	42	Element Assembly
		43	Exhaust Wall Gasket
		48	Blower Housing Back
		49	Blower Housing
		50	Motor/Combustion Wall
		52	Control Board Mounting Bracket
		53	Motor Speed Control Board
		54	Adapter Plate
		55	Burner Access Cover (specify)
		56	Extended Manifold
		57	Vent Ring
		58	Gas Line Gasket

hydro flame **Furnace**
REPLACEMENT PART REFERENCE
JANUARY 2007

*NLA - No longer available ⌘ While supplies last

Blowers Wheels & Covers

	85-IV 16	85-IV 20	85-IV 25	85-IV 31	85-IV 35	1522 2-stage	2334 2-stage
37605 Blower cover - back (outside)	X	X	X	X	X	X	X
37606 Blower cover - front (inside)	X	X	X	X	X	X	X
37607 Blower Venturi Ring ❖ (NOT REQUIRED)	X	X	X	X	X	X	X
33126 Blower Wheel Kit	X	X	X	X	X	X	X

Burner

36043 Burner Head	X	X	X	X	X	X	X
35491 Burner Head							

Burner Orifices

31257 #56 16,000 BTU	X						
31265 1.25MM 18,000 BTU		X					
31267 #54 22,000 BTU						X	
37580 1.45MM 25,000 BTU			X				
31280 #52 31,000 BTU				X			
32285 #51 35,000 BTU					X		X
34004 Burner Orifice 42 (Nat)							

Circuit Board

34109 Controller Module Motor Speed						X	X
34543 Controller Module Bracket (NEED 34541)						X	X
31501 Ignition Board Retrofit Kit (w/fan control)	X	X	X	X	X		
34541 Ignition Board bracket	X	X	X	X	X	X	X
34696 Ignition Module						X	X
38224 Ignition Module with Motor Control ⌘							

Circuit Breakers

33780 7 AMP kit (with door)	X	X					
33752 10 AMP (with door)			X	X			
33782 15 AMP kit (with door)					X	X	X
34011 7 AMP (without door circuit breaker/on/off)	X	X					
34012 10 AMP (without door circuit breaker/on/off)			X	X			
34013 15 AMP (without door circuit breaker/on/off)					X	X	
34015 20 AMP (without door circuit breaker/on/off)							X

Combustion

37084 Combustion Air Restrictor 1-1/4"	X					X	
33128 Combustion Wheel Kit	X	X	X	X	X	X	X

Draft Cap

37620 Draft Cap (5/8" Baffle) (before S/N 1260456)	X	X					
37619 Draft Cap (3/8" Baffle) (before S/N 1260456)			X	X	X		
38141 Draft Cap (3/8" Baffle).(after S/N 1260455)			X	X	X	X	X
38139 Draft Cap (5/8" Baffle).(after S/N 1260455)	X	X					

Electrodes

37057 Electrode	X	X	X	X	X	X	X
34570 Electrode for LD's	X	X	X	X	X	X	X

Gaskets

38261 Exhaust Box Gasket ❖							
32926 Exhaust Wall Gasket (before S/N 1260456)	X	X	X	X	X		
37956 Exhaust Wall Gasket (after S/N 1260455)	X	X	X	X	X	X	X
38286 Exhaust Tube Gasket ❖							
37600 Motor Gasket	X	X	X	X	X	X	X

hydro flame **Furnace**
REPLACEMENT PART REFERENCE
JANUARY 2007

❖ NLA - No longer available ⌘ While supplies last

	85-IV 16	85-IV 20	85-IV 25	85-IV 31	85-IV 35	1522 2-stage	2334 2-stage	R-25
Heating Elements								
37960 Htg Element Kit* 16, 20 (before S/N 1260456)	X	X						
37961 Htg Element Kit* 25 (before S/N 1260456)			X					
37962 Htg Element Kit* 31, 35 (before S/N 1260456)				X	X			
38282 Htg Element ❖								X
*Kit includes draft cap & element gasket								
Switches								
37022 Limit Switch 190°	X	X	X	X	X	X	X	X
36121 ON/OFF Rocker Switch	X	X	X	X	X	X	X	
38279 Pressure Switch ⌘								X
36680 Sail Switch	X	X	X	X	X	X	X	
Motor								
34039 Capacitor								X
38223 Motor AC ❖								X
37696 Motor PF 20076Q	X	X						
37697 Motor PF 23199Q			X	X				
37698 Motor PF 26157Q					X			
37964 Motor PF 26170Q (2-STAGE)							X	
38554 Motor PF 23211Q (2-STAGE)						X		
37646 Motor Clamp	X	X	X	X	X	X	X	
37602 Motor Lock Bracket					X		X	
37603 Motor Lock Bracket			X	X		X		
37604 Motor Lock Bracket	X	X						
37801 Motor Mounting Wall Kit	X	X	X	X	X	X	X	
Relay								
31017 Klixon Relay	X	X	X	X	X			
Thermostats								
38453 Thermostat (white) Heat only HFH-2000	X	X	X	X	X			
38452 Thermostat (brown) Heat only HFH-2000	X	X	X	X	X			
38535 Thermostat, Digital, 2-Stage 2H2C						X	X	
38555 Thermostat, Digital, Single Stage 1H2C	X	X	X	X	X			
38291 Thermostat ⌘								X
Valves								
37383 Valve, W/R 25M16V-711	X	X	X	X	X			
37384 Valve W/R 25M18-711								X
37973 2-Stage Valve W/R 25M05V-701							X	
38564 2-Stage Valve W/R 25M05V-702						X		
37613 Valve Bracket	X	X	X	X	X			
33475 White Rodgers Coil	X	X	X	X	X	X	X	
Wires								
37987 Field Plug Assembly						X	X	
36290 Field Plug Assembly	X	X	X	X	X			
36327 Field Plug Assy Special (Holiday Rambler)	X	X	X	X	X			
37419 High Tension Wire	X	X	X	X	X	X	X	X
34571 High Tension Lead (LD'S ONLY)	X	X	X	X	X			
37773 Shielded High Tension Wire (optional)	X	X	X	X	X			

hydro flame **Furnace**
REPLACEMENT PART REFERENCE
JANUARY 2007

❖ NLA - No longer available ⌘ While supplies last

Miscellaneous

	85-IV 16	85-IV 20	85-IV 25	85-IV 31	85-IV 35	1522 2-stage	2334 2-stage	R-25
37844 Air Intake Tube ❖								X
32882 Door Screen	X	X	X	X	X	X	X	
31474 Duct Adapter 4"	X	X	X	X	X	X	X	
36688 Duct Adapter 2"	X	X	X	X	X	X	X	
31361 Duct Cover Plate 4"	X	X	X	X	X	X	X	
37410 Gas Inlet Plug	X	X	X	X	X	X	X	
37411 Slide Plate	X	X	X	X	X	X	X	
38248 Transformer ❖								X
REPLACEMENT COMPONENTS FOR LD FURNACES ONLY								
37383 Valve	X	X	X	X	X			
38564 Valve 2 STAGE						X		
37973 Valve 2 STAGE							X	
34422 Vent Assembly				X	X			
34423 Vent Assembly	X	X						
34421 Burner Access Panel/Combustion Cover	X	X	X	X	X	X	X	
34530 Extended Manifold - RIGHT ANGLE INLET	X	X	X	X	X	X	X	
34406 Extended Manifold - STRAIGHT	X	X	X	X	X	X	X	
34645 Gas Line Gasket	X	X	X	X	X	X	X	
34410 Intake Air Adapter	X	X	X	X	X	X	X	
34570 Electrode	X	X	X	X	X	X	X	

hydro flame **Furnace**
REPLACEMENT PART REFERENCE
JANUARY 2007

❖ NLA - No longer available ⌘ While supplies last

	7912-II	7900-II 16 & 20	8012-II	85-III 16-20	85-III 25	85-III 31-35	89-III DC	89-III AC	2540 2-Stage
Blower									
33580 Blower Cover				X	X	X			
34014 Blower Cover BACK (OUTSIDE)							X	X	X
35881 Blower Wheel STEEL	X	X							
33431 Blower Wheel STEEL			X						
34099 Blower Wheel PLASTIC USE 34550							X	X	X
34550 Blower Wheel STEEL							X	X	X
33126 Blower Wheel and Clamp				X	X	X			
Burner									
36043 Burner	X	X	X						
32811 Burner						X			
33842 Burner				X	X				
35491 Burner							X	X	X
36147 Secondary Air Baffle 7920 & 7916 (after S/N 0651157)	X								
36438 Secondary Air Baffle 7916 (before S/N 0651156)		X							
36258 Secondary Air Baffle	X		X						
Burner Orifices									
31257 #56 16,000 BTU		X		X					
31265 1.25 MM 18,000 BTU		X		X					
36218 #60 12,000 BTU (before S/N 0651156) ⌘									
37389 #62 12,000 BTU (after S/N 0651155)	X		X						
31267 #54 25,000 BTU					X				
31280 #52 31,000 BTU						X			
32285 #51 35,000 BTU						X	X	X	
34004 #49 40,000 BTU							X	X	X
34092 #30 40,000 BTU NAT.								X	
34093 #32 35,000 BTU NAT.								X	
Circuit Board									
34109 Controller Module									X
34543 Controller Module Bracket (NEED 34541)									X
37515 Ignition Board Kit (AC)								X	
31501 Ignition Board Retrofit Kit (with fan control)	X	X	X	X	X	X	X		
34541 Ignition Bracket				X	X	X	X	X	X
34696 Ignition Module									X
36119 Ign. Plate Metal ❖	X	X	X						
37951 Ign. Plate Plastic	X	X	X						
Circuit Breakers									
34007 Breaker RESET/OFF SWITCH	X	X	X	X				X	
35791 Breaker 5 AMP ON/OFF SWITCH	X	X	X	X				X	
33780 Breaker Kit 7 AMP				X	X				
33590 Breaker 10 AMP					X	X			
33781 Breaker Kit 10 AMP - POP UP					X	X			
33782 Breaker Kit 15 AMP - POP UP						X	X		
38507 Breaker 20 AMP - POP UP									X
34015 Breaker 20 AMP - ROCKER SWITCH						X		X	

hydro flame **Furnace**
REPLACEMENT PART REFERENCE
JANUARY 2007

❖ NLA - No longer available ⌘ While supplies last

	7912-II	7900-II 16 & 20	8012-II	85-III 16-20	85-III 25	85-III 31-35	89-III DC	89-III AC	2540 2-Stage
Combustion									
35892	X	X	X						
33128				X	X	X	X	X	X
33124	X	X	X						
Door									
37912	X	X	X						
36644									
37520	X	X	X						
37864	No Longer Available								
37760	X	X	X						
31145	X	X	X						
Draft Cap									
37619			X	X	X				
38141					X	X	8940	8940	X
38139				X			8935	8935	
Electrodes									
37517	X	X	X						
37057							X	X	X
36998	X	X	X						
36999				X	X	X			
36997							X	X	
37079	X	X	X						
36044	X	X	X						
Gaskets									
35890	X	X	X						
32172	X	X	X	X	X	X	X	X	X
37100	X	X	X	X	X	X	X	X	X
34053							X	X	X
37956							X	X	X
32926				X	X	X			
32841				X	X	X			
37661	X	X	X						
37713							X	X	X
Heating Element									
35903	X	X	X						
37960				X					
37961					X				
37962						X			
34976							X	X	X
*Kit includes draft cap & element gasket									
Manifolds									
33565				X	X	X			
37392				X	X	X			
36376							X	X	X
37392							X	X	X
37391	X	X	X						

hydro flame **Furnace**
REPLACEMENT PART REFERENCE
JANUARY 2007

❖ NLA - No longer available ⌘ While supplies last

	7912-II	7900-II 16 & 20	8012-II	85-III 16-20	85-III 25	85-III 31-35	89-III DC	89-III AC	2540 2-Stage
33566 Outlet Manifold (before S/N 0654748)				X	X	X			
35936 Outlet Manifold ❖	X	X	X						
31043 Brass Inlet Fitting (MALE ELBOW) Use with Part #'s 37392/37391	X	X	X	X	X	X	X	X	X
32173 Brass Inlet Elbow (before S/N 0654748)				X	X	X			
Motor									
32031 Motor AC								X	
34039 Motor Capacitor AC								X	
36122 Motor PF20066Q			X						
31036 Motor PF20040Q	X	X							
37964 Motor PF26170Q 2 STAGE									X
37360 Motor Bracket Kit				X	X	X			
35879 Motor Bracket	X	X	X						
37359 Motor Kit PF20076Q				X					
37358 Motor Kit PF23190Q					X				
37357 Motor Kit PF26157Q						X	X		
Relay									
31017 Klixon Relay	X	X	X	X	X	X	X	X	
Switches									
37021 Limit Switch L77 / 170°	X	X	X				X	X	X
37022 Limit Switch L190°				X	X	X			
36121 ON-OFF Switch (ROCKER)	X	X	X	X	X	X	X	X	X
36133 Sail Switch	X	X							
36134 Sail Switch			X						
36680 Sail Switch				X			X	X	X
35054 Sail Switch					X				
35050 Sail Switch						X			
36040 Sail Switch Bracket	X	X	X						
Thermostats									
38452 Thermostat (brown) Heat Only HFH-2000	X	X	X	X	X	X	X	X	
38453 Thermostat (white) Heat Only HFH 2000	X	X	X	X	X	X	X	X	
38535 Thermostat, Digital, 2 Stage 2H2C									X
38555 Thermostat, Digital, Single Stage 1H2C	X	X	X	X	X	X	X	X	
Valve									
36035 White Rodgers 25M16-503 Side Port (before S/N 0651156) ❖	X	X	X						
37383 White Rodgers Side Outlet (after S/N 0651155) 25M16V-711	X	X	X						
33475 White Rodgers Coil (DC)	X	X	X	X	X	X	X	X	X
36036 White Rodgers Valve Bracket ⌘ (Use with Part #'s 36035)	X	X	X						
37390 White Rodgers Valve Bracket (Use with Part #'s 37383)	X	X	X						
33337 White Rodgers (before S/N 0654748-85 series) 25M16V-701 (before S/N 0657716-89 series)			X	X	X	X			
37383 White Rodgers Side Outlet (After Serial #0654747) 25M16V-711				X	X	X			

hydro flame **Furnace**
REPLACEMENT PART REFERENCE
JANUARY 2007

❖ NLA - No longer available ⌘ While supplies last

	7912-II	7900-II 16 & 20	8012-II	85-III 16-20	85-III 25	85-III 31-35	89-III DC	89-III AC	2540 2-Stage
33586 White Rodgers Valve Bracket (Use with Part # 33337)				X	X	X	X		
37426 White Rodgers Valve Bracket (Use with Part # 37383)				X	X	X	X		
37383 White Rodgers Valve (DC) (After S/N 0657715)						X			
34006 White Rodgers Valve (AC) (Before S/N 0657716) 25M18V-701							X		
37384 White Rodgers Valve (AC) (After S/N 0657715) 25M18V-711							X		
34515 White Rodgers Coil (AC)								X	
37973 2-Stage Gas Valve W/R 25M05V-701									X
Vent Kit									
35955 79A-II 4 inch	X	X	X						
35956 79B-II 8 inch	X	X	X						
35957 79C-II 12 inch	X	X	X						
Wires									
37987 Field Plug Assembly									X
36290 Field Plug Assembly				X	X	X			
34116 High Tension Lead	X	X	X						
35193 High Tension Lead (before S/N 0654748)				X	X	X			
37419 High Tension Lead (after S/N 0654747)				X	X	X			
35193 High Tension Lead (before S/N 0657716)							X	X	
37419 High Tension Lead (after S/N 0657715))							X	X	X
36180 Wiring Harness Complete (internal)				X	X	X			
34325 Wiring Harness Complete DC		X					X		
37443 Wiring Harness Complete AC								X	
Miscellaneous									
35121 24 VAC Transformer								X	
36412 Casing Assembly	X	X							
35912 Control Box	X	X	X						
37431 Control Box							X	X	X
36959 Directional Air Box Insert	X	X	X						
31474 Duct Adapter 4"	X	X	X	X	X	X	X	X	X
36688 Duct Adapter 2"	X	X	X	X	X	X	X	X	X
31361 Duct Cover Plate	X	X	X	X	X	X	X	X	X
33567 Gas Inlet Plug (Before S/N 0654748)				X	X	X			
37410 Gas Inlet Plug (After S/N 0654747)				X	X	X			
33567 Gas Inlet Plug (Before S/N 0657716)							X	X	X
37410 Gas Inlet Plug (After S/N 0657715)							X	X	X
33729 Slide Plate (Before S/N 0654748)				X	X	X			
37411 Slide Plate (After S/N 0654747)				X	X	X			
33729 Slide Plate (Before S/N 0657716)							X	X	
37442 Slide Plate (After S/N 0657715)							X	X	X

hydro flame **Furnace**
REPLACEMENT PART REFERENCE
JANUARY 2007

❖ NLA - No longer available ⚠ While supplies last

	85-II 16-20	85-II 25	85-II 31-35	89-I DC	89-I AC	89-II DC	89-II AC	FA 79D	FA79P	HF 80D	HF 80P
Blower											
33580 Blower Cover	X	X	X								
33431 Blower Wheel								X	X	X	X
33618 Blower Wheel		X	X								
33619 Blower Wheel ❖	X										
34550 Blower Wheel STEEL				X	X	X	X				
Burner											
32149 Burner ❖											
32811 Burner			X								
33842 Burner	X	X									
38548 Burner				X	X						
35491 Burner						X	X				
Burner Orifice											
31268 #59 12,000 BTU ❖								X	X	X	X
31257 #56 16,000 BTU	X							X	X		
31265 1.25 MM 20,000 BTU								X	X		
31267 #54 25,000 BTU		X									
31280 #52 31 & 32,000 BTU			X								
32285 #51 35,000 BTU			X	X	X	X	X				
34004 #49 40,000 BTU				X	X	X	X				
34093 #32 35,000 BTU NAT				X	X	X	X				
34092 #30 40,000 BTU NAT				X	X	X	X				
Circuit Board											
34541 Ignition Board Bracket	X	X	X	X	X	X	X				
37515 Ignition Board Kit (AC)					X		X				
31501 Ignition Board Kit (DC)	X	X	X	X		X		X		X	
Circuit Breaker											
31028 Breaker 5 AMP	X				X		X	X	X	X	X
33780 Breaker 7 AMP KIT		X									
33590 Breaker 10 AMP			X								
33784 Breaker 15 AMP KIT				X		X					
Combustion											
31881 Combustion Air Hose ❖								X	X	X	X
33124 Combustion Wheel Kit								X	X	X	X
33128 Combustion Wheel Kit	X	X	X	X	X	X	X				
Door											
33753 Deluxe Door 01 White	X	X	X	X	X	X	X				
33754 Deluxe Door 02 Colonial White	X	X	X	X	X	X	X				
33756 Deluxe Door 04 White	X	X	X	X	X	X	X				
33763 Deluxe Door 11 White	X	X	X	X	X	X	X				
35001 Deluxe Door 18 Gray	X	X	X	X	X	X	X				
35057 Deluxe Door 20 Gray	X	X	X	X	X	X	X				
35101 Deluxe Door 22 White	X	X	X	X	X	X	X				
35102 Deluxe Door 23 White	X	X	X	X	X	X	X				

hydro flame **Furnace**
REPLACEMENT PART REFERENCE
JANUARY 2007

❖ NLA - No longer available Ⓢ While supplies last

	85-II 16-20	85-II 25	85-II 31-35	89-I DC	89-I AC	89-II DC	89-II AC	FA 79D	FA79P	HF 80D	HF 80P
33853 Recess Pan 01 White	X	X	X	X	X	X	X				
33854 Recess Pan 02 Colonial White	X	X	X	X	X	X	X				
33856 Recess Pan 04 White	X	X	X	X	X	X	X				
33863 Recess Pan 11 White	X	X	X	X	X	X	X				
35063 Recess Pan 12 Grey	X	X	X	X	X	X	X				
35104 Recess Pan 22 White	X	X	X	X	X	X	X				
35105 Recess Pan 23 White	X	X	X	X	X	X	X				
33847 Door Catch Screw Type (set)	X	X	X	X	X	X	X				
33620 Door Hinge - inner (ORDER 2 PER DOOR)	X	X	X	X	X	X	X				
31145 Roller Door Catch ❖								X	X	X	X
Draft Cap											
37890 Draft Cap Assembly -				X	X	X	X				
37619 Draft Cap Assembly ❖	X	X	X								
Electrodes											
33234 Electrode								X		X	
36999 Electrode	X	X	X								
38548 Electrode				X	X						
36997 Electrode						X	X				
36998 Electrode								X		X	
Exhaust Tube Extensions											
31680 79/80A (0" - 3-1/2") NLA								X	X	X	X
Gaskets											
34551 Bottom Discharge Gasket				X	X	X	X				
34553 Bottom Discharge Gasket	X	X	X								
31842 Burner Plate Gasket									X		X
31843 Burner Plate Gasket								X		X	
33485 Combustion Gasket Set								X	X	X	X
32172 Electrode Gasket	X	X	X	X	X	X	X	X		X	
32926 Exhaust Wall Gasket	X	X	X								
34053 Exhaust Wall Gasket				X	X	X	X				
32841 Motor Gasket	X	X	X	X	X	X	X				
Heating Elements											
34976 Heating Element				X	X	X	X				
37960 Heating Element Kit*	X										
37961 Heating Element Kit*		X									
37962 Heating Element Kit*			X								
*Kit includes draft cap & element gasket											
Motor											
34039 Motor Capacitor AC					X		X				
32031 Motor 7162-2839E AC					X		X				
31035 Motor PF2041Q										X	X
31036 Motor PF2040Q								X	X		
32774 Motor PF23175Q		X									
33219 Motor PF20068Q	X										
33589 Motor PF23144Q			X								
37360 Motor Bracket KIT	X	X	X								
37357 Motor Kit				X		X					

hydro flame **Furnace**
REPLACEMENT PART REFERENCE
JANUARY 2007

❖ NLA - No longer available ⌘ While supplies last

	85-II 16-20	85-II 25	85-II 31-35	89-I DC	89-I AC	89-II DC	89-II AC	FA 79D	FA79P	HF 80D	HF 80P
Pilot											
32466 1/4 x 7 Pilot Tube w/ fittings									X		X
33830 Jade Orifice .008									X		X
31307 Jade Thermal Couple 14"									X		X
31299 Jade Pilot Assembly J721013CLP									X		X
36038 Piezo Igniter Kit								X	X	X	X
Relay											
31017 Klixon Relay	X	X	X	X	X	X	X	X	X	X	X
Switches											
31023 Limit Switch L170								X	X	X	X
35132 Limit 130 Switch	X	X	X	X	X						
37021 Limit Switch L77-C						X	X				
35047 Sail Switch ❖								X	X	X	X
35050 Sail Switch			X								
36680 Sail Switch	X			X	X	X	X				
35054 Sail Switch		X									
36205 Thermal Cut-Off 8900-II						X	X				
Thermostat											
38452 Thermostat (brown) heat only	X	X	X	X	X	X	X	X	X	X	X
38453 Thermostat (white) heat only	X	X	X	X	X	X	X	X	X	X	X
Valve											
33716 ITT Valve Retrofit Kit (pilot)									X		X
33796 ITT/FEN Valve Retrofit Kit (Electronic Ignition)								X		X	
32697 Robertshaw Valve 7000 ERLC-LP									X		X
33337 White Rodgers Valve 25M16-701 (DC)	X	X	X	X		X		X		X	
33475 White Rodgers Coil (DC)	X	X	X	X		X		X		X	
34006 White Rodgers Valve 25M18-701 (AC)					X		X				
34515 White Rodgers Coil (AC)					X		X				
Wires											
31090 High Tension Lead ❖											
33661 High Tension Lead ❖											
35193 High Tension Lead				X	X	X	X				
35235 Wiring Harness Blower AC ❖					X						
Miscellaneous											
35121 24 VAC Transformer					X		X				
31361 Duct Cover Plate	X	X	X	X	X	X	X	X	X	X	X
31474 Duct Adapter	X	X	X	X	X	X	X	X	X	X	X
33567 Gas Inlet Plug	X	X	X	X	X	X	X				
33729 Slide Plate	X	X	X	X	X	X	X				

hydro flame Furnace
REPLACEMENT PART REFERENCE
JANUARY 2007

❖ NLA - No longer available ⌘ While supplies last

	85-1 16-20	85-1 25	85-1 31-35	DC82 25-32	DC82 35-41	AC 82	FA 76D	FA 78 25-32	FA 72D	FA 72P
Blower										
31135 Blower Wheel ❖									X	X
31139 Blower Wheel				X	X	X		X		
32775 Blower Wheel ❖		X	X							
32776 Blower Wheel	X									
Burner										
32002 Burner ❖					X	X				
32112 Burner ⌘				X				X		
32811 Burner	X	X	X							
Burner Orifice										
31270 #66 Orifice									X	X
31268 #59 Orifice ❖							X			
31257 #56 16,000 BTU	X									
31265 1.25mm 18,000 BTU	X									
31267 #54 25,000 BTU		X		X				X		
31280 #52 31 & 32,000 BTU			X	X				X		
32285 #51 35,000 BTU			X		X	X			X	
31256 #50 41,000 BTU					X	X				
32284 #40 35,000 BTU NAT						X				
32238 #36 41,000 BTU NAT ⌘						X				
Circuit Breaker										
31028 Breaker 5 AMP	X					X	X		X	X
33780 Breaker 7 AMP		X								
33590 Breaker 10 AMP			X	X	X					
Circuit Board										
31501 Ignition Board Kit (DC)	X	X	X	X	X		X	X	X	
37515 Ignition Board Kit (AC)						X				
Combustion										
33124 Combustion Wheel Kit	X	X					X			
31138 Combustion Wheel ❖					X	X				
37107 Combustion Wheel ❖			X							
Electrodes										
33234 Electrode							X			
33235 Electrode				X	X	X		X		
33625 Electrode Kit	X	X	X							
36999 Electrode Only	X	X	X							
Gaskets										
34551 Bottom Discharge Gasket				X	X	X		X		
34553 Bottom Discharge Gasket	X	X	X							
31838 Burner Plate Gasket									X	X
32762 Burner Plate Gasket				X	X	X		X		
33485 Combustion Gasket Set							X			
32172 Electronic Ignition Electrode Gasket	X	X	X	X	X	X	X	X	X	
32926 Element Gasket	X	X	X							
31841 Manifold Gasket				X	X	X		X		
32841 Motor Gasket	X	X	X							
Heating Elements										
32118 Heating Element Assembly				X				X		
32119 Heating Element Assembly					X	X				

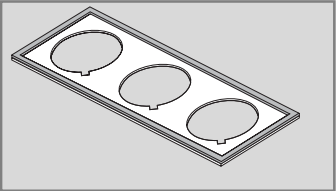
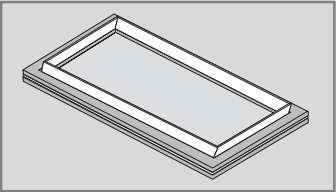
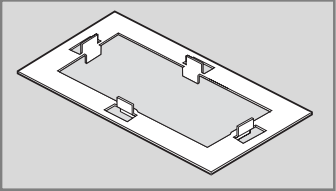
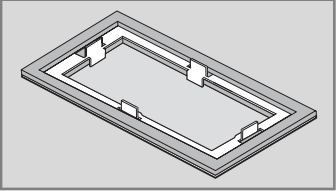
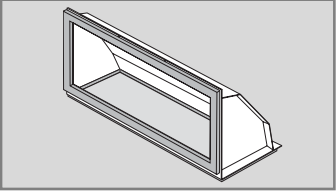
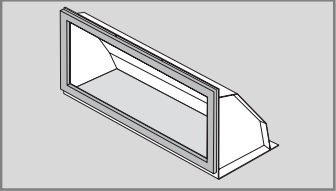
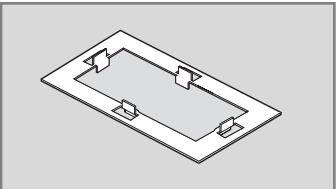
hydro flame **Furnace**
REPLACEMENT PART REFERENCE
JANUARY 2007

❖ NLA - No longer available ⌘ While supplies last

	85-1 16-20	85-1 25	85-1 31-35	DC82 25-32	DC82 35-41	AC 82	FA 76D	FA 78 25-32	FA 72D	FA 72P
Motor										
31039 Motor JA25065N (AC)						X				
31036 Motor PF2040Q							X			
31037 Motor PE2423Q									X	X
31038 Motor PE2627Q								X		
32330 Motor PF23129Q				X	X					
32774 Motor PF23175Q		X	X							
33219 Motor PF2055Q	X									
37360 Motor Bracket	X	X	X							
Pilot										
31292 ITT Pilot Assembly 26C1762 ⌘										X
33829 ITT TV Orifice .010 ❖				X	X			X		
32417 ITT TV Orifice .008										X
31299 Jade Pilot Assembly J72C2426CL				X	X			X		
32416 Jade Orifice .010 ❖				X	X			X		
31307 Jade Thermocouple 14"										X
32480 Jade Thermocouple 18"				X	X			X		
Relay										
31017 Klixon Relay	X	X	X	X	X	X	X	X		
Switch										
31023 Limit 170 Switch							X		X	X
31025 Limit 190 Switch w/plate				X	X	X		X		
32927 Limit 190 Switch	X	X	X							
35282 Sail Switch	X	X	X							
33697 Sail Switch ❖				X	X	X		X		
Thermostat										
38452 Thermostat (brown) heat only	X	X	X	X	X	X	X	X	X	X
38453 Thermostat (white) heat only	X	X	X	X	X	X	X	X	X	X
Valves										
33717 ITT Valve Retrofit Kit (pilot) ❖										X
33688 ITT/FEN Valve Retrofit Kit (DSI)				X	X		X	X		
33797 ITT/FEN Valve Retrofit Kit (DSI)							X			
33806 ITT/FEN Valve Retrofit Kit (DSI)									X	
36728 Johnson Valve Retrofit Kit (DSI) (AC)						X				
33475 White Rodgers Coil	X	X	X	X	X		X			
33337 White Rodgers Valve 25M16-701	X	X	X	X						
Wire										
32139 Field Hookup				X	X			X		
32140 Field Hookup						X				
Miscellaneous										
32475 12 VDC Converter						X			X	X
33784 24 VAC Transformer						X				
31831 Door Interior ❖				X	X	X				
33774 Door Catch Assemblies ❖										
31474 Duct Adapter	X	X	X	X	X	X		X		
31361 Duct Cover Plate	X	X	X	X	X	X	X	X		
32137 Exhaust Tube Ext. 82F ❖				X	X	X		X		
32133 Vent Shell (only) 82BE ❖				X	X	X		X		
32134 Vent Shell (only) 82AD ❖				X	X	X		X		

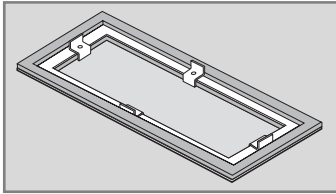
Atwood Furnace Installation Parts

Series 85 and 2-Stage Furnaces

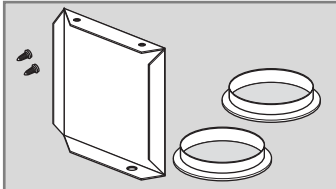
Part #	Appearance	Description
34438		Floor plate and (3) adapters for 4" ducts to rear of furnace.
36278		Adapter plate for bottom discharge - with foam seals on both sides.
36277		Adapter plate for bottom discharge - no seals but with alignment tabs. Use with gasket 34551.
37745		Adapter plate for bottom discharge - same as 36277 except includes foam seals on both sides.
37878		Extension plenum, rear discharge to floor duct with two seals.
33150		Extension plenum, rear discharge to floor duct with one seal.
37868		Adapter plate for bottom discharge - from extension plenum. No seals but with alignment tabs. Use with extension plenum 33150 or 37878.

Atwood Furnace Installation Parts

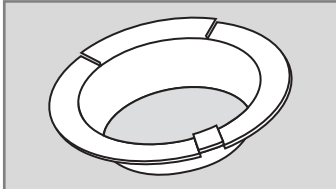
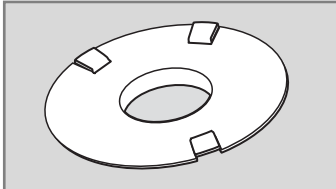
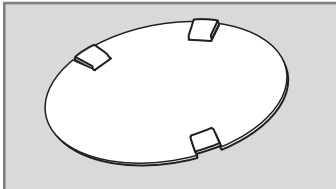
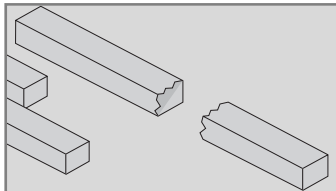
Series 89 and 2-Stage Furnaces

Part #	Appearance	Description
36897		Adapter plate for bottom discharge - has alignment tabs and foam seals on both sides.

Series 79 and 80 Furnaces

Part #	Appearance	Description
37452		Field Kit, side discharge

All Atwood Furnaces

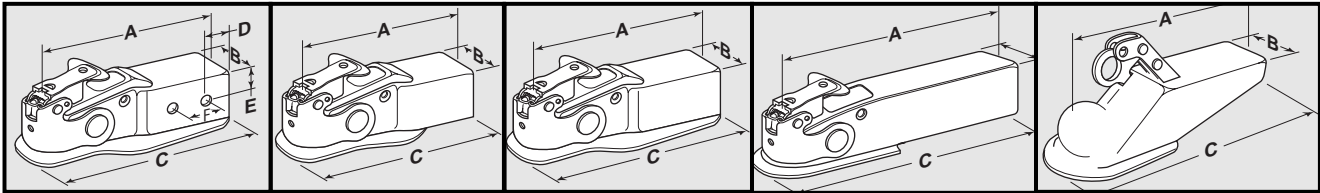
Part #	Appearance	Description
31474		Duct adapter - 4"
36688		Duct adapter - 2"
31361		Cover plate - 4"
34553		Foam tape seal 29" x 1/2"
34689		Foam tape seal 32" x 1/2" (used with 36277)
		Foam tape seal 42" x 1/2"

Hardware Table of Contents

• Couplers	
• Straight Tongue & A-Frame Couplers	2
• Specialty Couplers & Hitch Balls.....	3
• Yoke Style Coupler Latch Replacement	4
• Yoke Style Coupler Troubleshooting Guide	5
• Brakes	
• Terminology	5
• Surge Brakes & Hydraulic Actuators.....	6
• Surge Brake Actuators.....	7
• Surge Brake Actuators Troubleshooting Guide	8
• Foundation Brakes.....	9
• Uni-Servo Brakes.....	10
• Foundation Brakes	10
• Casters, Feet & Support Plates	12
• Jacks	
• Jack Replacement Kits	13
• A-Frame & Specialty Jacks.....	14-15
• Jack Screws	16
• Square Tube & Bolt-Swivel Jacks.....	17
• Implement Swivel Jacks	18
• Retaining Ring Swivel Jacks	19
• Manual Tongue Jack Troubleshooting Guide, Stabilizer Jacks & Telescoping Stabilizers	20
• Power Jack Troubleshooting Guide	21
• Power Jacks & Marine Power Jacks	22
• Power Jack Replacement Parts	23
• Duraleg Center Mounted Jack.....	24
• Remote Control Electric Ball Screw Camper Jack Troubleshooting Guide	25
• Truck Camper Jacks & Replacement Parts	26-29
• Atwood Levellegs	
• Levellegs and Levellegs Troubleshooting Guide.....	30-33
• Atwood 5th Wheel Landing Gear	
• Landing Legs — Replacement Parts & Troubleshooting Guide	34-39
• 12VDC Motor and Kits	40
• 5th Wheel Pin Boxes	41
• Folding Hitch Ball	42
• Gooseneck Coupler Systems & 5th Wheel Hitches	43
• Bevel Gears	44-45

The data presented in this publication is obtained from the most reliable sources, and is believed to be accurate as of the date of publication. Responsibility for typographical errors or omission of data cannot be assumed by the publishers. Data is subject to change without notice.

Atwood Straight Tongue Couplers



80051, 80055, 80056

82311, 82315

80060

80186, 80082, 80083

80131

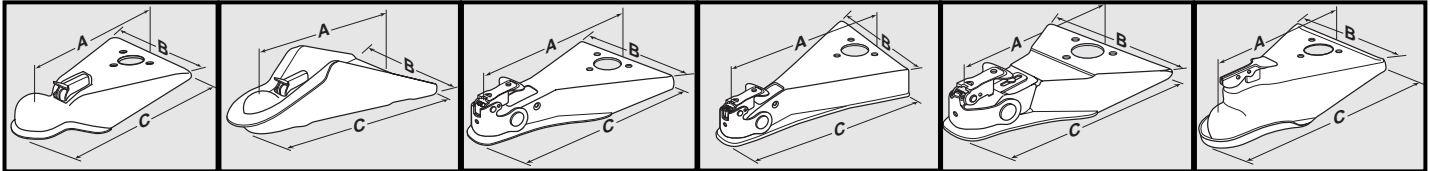
STRAIGHT TONGUE COUPLER SELECTION GUIDE

Part No.	Description	LATCH KIT	Rated Cap. lbs.	S.A.E Class	A		B*		C		D		E		F	
					in.	mm	in.	mm	in.	mm	in.	mm	in.	mm	in.	mm
80051	2" ball, 3" channel, bolt-on painted	15775	3,500	2	9 ³ / ₈	238	3	76	11	279	7/8	22	3/4	19	3	76
80055	2" ball, 3" channel, bolt-on zinc-plated	15775	3,500	2	9 ³ / ₈	238	3	76	11	279	7/8	22	3/4	19	3	76
80056	2" ball, weld-between, 3" channel unpainted, zinc plated latch	15775	3,500	2	9 ³ / ₈	238	3	76	11	279	7/8	22	3/4	19	3	76
82311	2" ball, weld-between, painted	15775	3,500	2	7 ⁵ / ₈	194	3	76	9 ¹ / ₄	235	—	—	—	—	—	—
82315	2" ball, weld-between, unpainted, zinc plated latch	15775	3,500	2	7 ⁵ / ₈	194	3	76	9 ¹ / ₄	235	—	—	—	—	—	—
80060	2" ball, 3" channel, painted	15775	5,000	3	9 ³ / ₈	238	3	76	11	279	—	—	—	—	—	—
80082	2" ball, 2" channel, painted	15775	5,000	3	9 ¹ / ₂	241	2	51	11	279	—	—	—	—	—	—
80083	2" ball, 2" channel unpainted, zinc plated latch & clamp	15775	5,000	3	9 ¹ / ₂	241	2	51	11	279	—	—	—	—	—	—
80186	2" ball, 2" channel, painted	15775	6,000	3	9 ¹ / ₂	241	2	51	11	279	—	—	—	—	—	—
80131	2 ⁵ / ₁₆ " ball, 3" channel, painted	07532	8,500	4	12	305	3 ¹ / ₈	79	14	356	—	—	—	—	—	—

* B dimension is the inside dimension relating to channel size

Atwood A-Frame Couplers

Thumb Latch Release Ball Clamp → Wrap-Around Yoke Style Latch → Classic Marvel Flip Latch Style



81911, 81912, 81915, 81916

82680**

80072, 84176, 84800

84035

80101

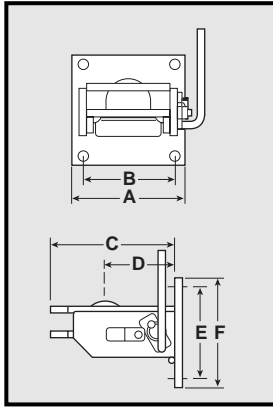
88007, 88010, 88555, 88600, 88000, 88005

A-FRAME COUPLER SELECTION GUIDE

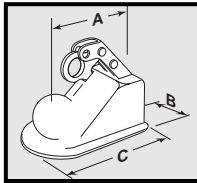
* Various aspects of design, including the latch handle design, are registered as a trademark of Atwood Industries, Inc.

Part No.	Description	LATCH KIT	Rated Capacity lbs.	Class	A		B		C	
					in.	mm	in.	mm	in.	mm
80072	2" ball, painted, weld-on, yoke style	15775	5,000	S.A.E. 3	12 ³ / ₈	314	9 ¹ / ₄	235	14	356
84176	2" ball, unpainted, weld-on, yoke style zinc latch	15775	5,000	S.A.E. 3	12 ³ / ₈	314	9 ¹ / ₄	235	14	356
84035	2" ball, painted, weld-on, yoke style	15775	5,000	S.A.E. 3	13 ³ / ₈	340	10 ³ / ₈	264	14 ⁷ / ₈	378
84800	2" ball, painted, weld-on, yoke style	15775	6,000	S.A.E. 3	12 ³ / ₈	314	9 ¹ / ₄	235	14	356
88555	2" ball, painted, weld-on, thumb latch style	88051	8,000	S.A.E. 4	9 ⁷ / ₈	251	9 ³ / ₄	248	11 ⁷ / ₈	302
88600	2" ball, unpainted, weld-on, thumb-flip latch style	88051	8,000	S.A.E. 4	9 ⁷ / ₈	251	9 ³ / ₄	248	11 ⁷ / ₈	302
80101	2 ⁵ / ₁₆ " ball, painted, weld-on, yoke style	15774	8,500	S.A.E. 4	12	305	10	254	14	356
88007	2 ⁵ / ₁₆ " ball, painted, weld-on, flip latch style	88061	10,000	S.A.E. 4	10 ⁷ / ₈	276	10 ³ / ₈	264	13	330
88010	2 ⁵ / ₁₆ " ball, unpainted, weld-on, flip latch style	88061	10,000	S.A.E. 4	10 ⁷ / ₈	276	10 ³ / ₈	264	13	330
81911	2 ⁵ / ₁₆ " ball, painted, weld-on, thumb latch style	NA	10,000	S.A.E. 4	11	279	10 ⁷ / ₈	276	12 ³ / ₄	324
81915	2 ⁵ / ₁₆ " ball, unpainted, weld-on, thumb latch style	NA	10,000	S.A.E. 4	11	279	10 ⁷ / ₈	276	12 ³ / ₄	324
81912	2 ⁵ / ₁₆ " ball, painted, weld-on, thumb latch style	NA	13,000	S.A.E. 4	11	279	10 ⁵ / ₈	270	12 ³ / ₄	324
81916	2 ⁵ / ₁₆ " ball, painted, weld-on, thumb latch style w/plate	NA	15,000	S.A.E. 4	11	279	10 ⁵ / ₈	270	12 ³ / ₄	324
82680	2 ⁵ / ₁₆ " ball, painted, weld-on, thumb latch style	NA	13,000	S.A.E. 4	11	279	10 ⁵ / ₈	270	13 ¹ / ₈	333
88000	2" ball, OBSOLETE - OLD STYLE MARVEL	88050	** Top plate 82740 is packed with 82680 coupler. 82681 coupler is the same as 82680 except it is packed without a support plate. Top plate 22375 can also be used with 82680 or 82681 coupler if a Top Mount A-Frame Jack (5,000 lbs. max) is used in this application.							
88005	2 ⁵ / ₁₆ " ball, OBSOLETE - OLD STYLE MARVEL	88060								

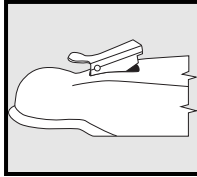
Atwood Specialty Couplers



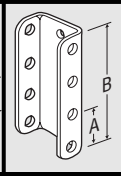
Flat Nose Coupler - **75074**



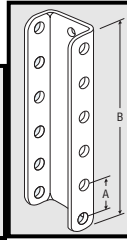
Adjustable - **80290 obs**



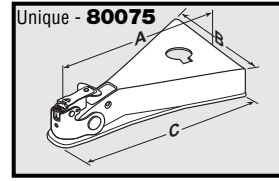
Adjustable - **81906***



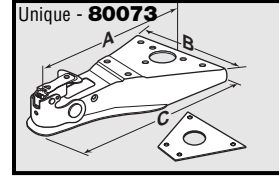
80355
80285 obs



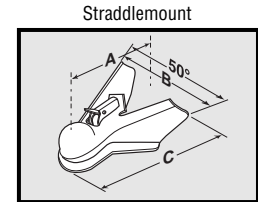
80308



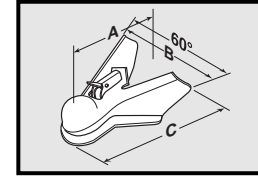
Unique - **80075**



Unique - **80073**



83461 — 50° Coupler
83462 — 50° Coupler
84140 — 50° Coupler
Straddlemount



83549 — 60° Coupler
83551 — 60° Coupler
84060 — 60° Coupler
Straddlemount

SPECIALTY COUPLER SELECTION GUIDE

Part No.	Description	LATCH KIT	Rated Cap. lbs.	S.A.E. Class	A		B		C		D		E		F	
					in.	mm	in.	mm	in.	mm	in.	mm	in.	mm	in.	mm
80073	2" ball, galvanized, bolt-on, yoke style	15775	5,000	3	12 ³ / ₈	314	9 ¹ / ₄	235	14	356	—	—	—	—	—	—
80075	2" ball, rack jack mount, painted, yoke style latch	15775	5,000	3	13 ³ / ₈	340	10 ³ / ₈	264	14 ⁷ / ₈	378	—	—	—	—	—	—
OBS 80285	4 hole bracket for adj. coupler	—	12,000	—	2	51	7.5	191								
80355	4 hole bracket for adj. coupler	—	15,000	—	2	51	9.34	237.2								
80308	6 hole bracket for adj. coupler	—	15,000	—	2	51	13.34	338.8								
81906	2 ⁵ / ₁₆ " ball, adj. coupler w/o brkt	07532	15,000	—	7.25	184	2.8	76	9.25	235	—	—	—	—	—	—
OBS 80290	2 ⁵ / ₁₆ " ball, adj. coupler weld on	07532	12,000	—	7	178	3	76	9	229	—	—	—	—	—	—
75074	flat nose coupler, painted	—	25,000	—	6	152	4 ¹ / ₂	114	6 ³ / ₄	171	3 ³ / ₄	95	4 ¹ / ₂	114	6	152
OBS 80281	2 ⁵ / ₁₆ " ball, adj. coupler w/o brkt	07532	12,000	—	7	178	3	76	9	229	—	—	—	—	—	—
Mobile home only — 2⁵/₁₆" ball, straddlemount — thumb latch																
83461	coupler 50°, painted	NA	32,000	—	8	203	6 ⁷ / ₈	175	9 ⁷ / ₈	251	—	—	—	—	—	—
83551	coupler 60°, painted	NA	32,000	—	8	203	7 ⁷ / ₈	200	9 ⁷ / ₈	251	—	—	—	—	—	—
84140	coupler 50°, painted	NA	40,000	—	8	203	6 ⁷ / ₈	175	9 ⁷ / ₈	251	—	—	—	—	—	—
84060	coupler 60°, unpainted	NA	40,000	—	8	203	7 ⁷ / ₈	200	9 ⁷ / ₈	251	—	—	—	—	—	—
83462	coupler 50°, unpainted	NA	44,000	—	8	203	7 ⁷ / ₈	200	9 ⁷ / ₈	251	—	—	—	—	—	—
83549	coupler 60°, unpainted	NA	44,000	—	8	203	6 ⁷ / ₈	175	9 ⁷ / ₈	251	—	—	—	—	—	—

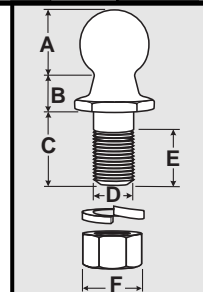
Atwood Hitch Balls

HITCH BALL SELECTION GUIDE

Part No.	Description	Rated Capacity lbs.	A		B		C		D		E		F	
			in.	mm	in.	mm	in.	mm	in.	mm	in.	mm	in.	mm
84137	2 ⁵ / ₁₆ " forged hitch ball	40,000	2 ¹ / ₈	54	1 ¹ / ₄	32	2 ¹ / ₂	64	1 ³ / ₈	35	1 ³ / ₄	45	2 ¹ / ₈	54
80212	2 ⁵ / ₁₆ " forged hitch ball	13,000	2	51	1 ¹ / ₄	32	2 ¹ / ₂	64	1 ³ / ₈	35	2	51	2 ¹ / ₈	54
80202	2" hitch ball	8,500	1 ⁹ / ₁₆	40	1 ³ / ₁₆	30	2 ¹ / ₄	57	1 ³ / ₈	35	1 ⁵ / ₈	41	2 ¹ / ₈	54
82551	2" forged hitch ball	6,000	1 ³ / ₄	45	1 ³ / ₈	35	2	51	1	25	1 ¹ / ₂	38	1 ¹ / ₂	38
80201	2" forged hitch ball	5,000	1 ³ / ₄	45	1 ³ / ₈	35	2	51	1	25	1 ¹ / ₂	38	1 ¹ / ₂	38

Each Atwood hitch ball comes complete with a lock washer and hex nut for quick, secure installation, and meets all applicable S.A.E. and D.O.T. standards.

- The hitch ball should always be checked for correct size.
- Match coupler and check for wear and roundness.
- Always replace hitch ball and coupler if components are damaged or loose.





Atwood Mobile Products LLC
 1120 North Main Street • Elkhart, IN 46514
 PHONE: 574-264-2131 FAX: 574-262-2550
 INTERNET: <http://www.atwoodmobile.com>

LITERATURE NUMBER **MPD 87297**

LATCH REPLACEMENT

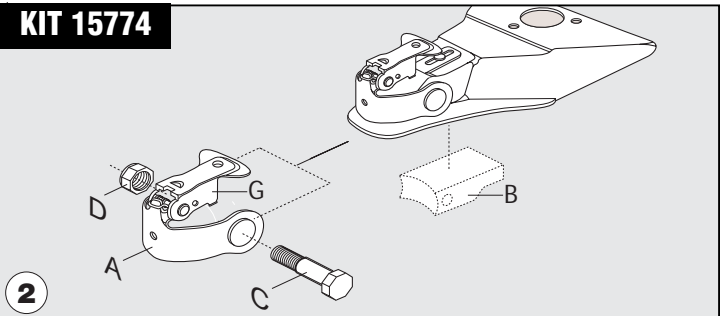
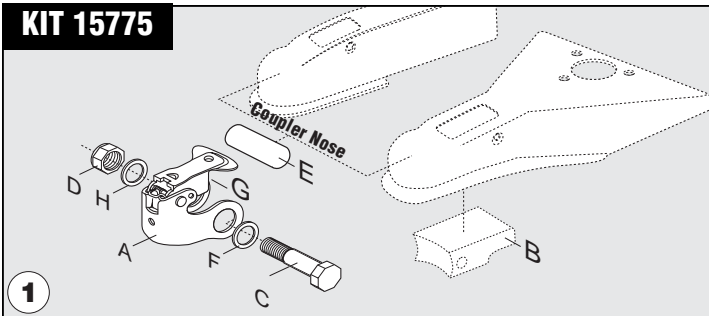
ENGLISH, FRANÇAIS (et Canada)

•Installation •Operation •Maintenance

Effective 10/10/06

2" Yoke Style Coupler

2-5/16" Yoke Style Coupler



For complete coupler instructions consult MPD 87984.



WARNING
 PERSONAL INJURY/PRODUCT DAMAGE

- Replace couplers that are worn or damaged, or not operating freely.



WARNING
 PRODUCT DAMAGE

- Coupler must be disengaged from hitch ball.
- Latch must be in closed position for repairs.

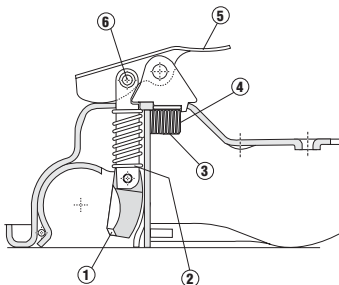
TO TAKE APART

1. Grind off staked end of pin (FIG 1 & 2-C) that goes through nose of coupler.
2. Slide pin out side of coupler.
3. Remove ball clamp (FIG 1 & 2-B) from under side of coupler nose.
4. Remove latch and yoke assembly from top of coupler nose.
5. Discard old parts. **DO NOT REUSE!**

INSTALLATION PROCEDURE

1. Place latch and yoke assembly (FIG 1 & 2) over coupler nose and align holes on yoke assembly with holes on sides of coupler nose and hold in place.
2. Place ball clamp (FIG 1-B & 2-B) inside nose of coupler and align its holes with holes in yoke assembly and holes in sides of coupler nose.
3. **For 2" coupler -**
 - a. Place insert sleeve (FIG 1-E) into ball clamp (FIG 1-B) and install under coupler nose.
 - b. Place washer (FIG 1-F) on bolt (FIG 1-C).
 - c. Align the hole in the latch yoke assembly (FIG 1 A) and insert sleeve/ball clamp assembly (FIG 1 B & E) with the hole in the coupler nose. Then install bolt assembly (FIG 1 C & F) through both sides of coupler nose.
 - d. Place other washer (FIG 1-H) and nut (FIG 1-D) on exposed threaded portion of bolt and torque nut to 15 ft. lbs.
3. **For 2-5/16" coupler -**
 - a. Place ball clamp (FIG 2-B) under coupler nose.
 - b. Align the hole in the latch and yoke assembly (FIG 2-A & G) and ball clamp (FIG 2-B) with the hole in the coupler nose. Install the hole in the coupler nose followed by the bolt (FIG 2-C).
4. Check coupler for proper latching on a proper diameter ball. Insert ball, close coupler. The two legs of the latch handle (FIG 1 & 2-G) MUST fit snugly into the mating 2 slots on top of the coupler.

"Marvel"



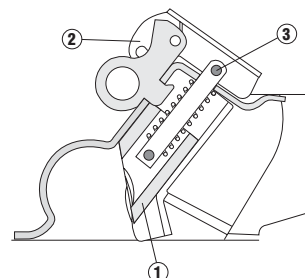
COUPLER REPAIR KITS 88060/88050

1. Lock and shoe assembly
2. Coupler spring
5. Handle
6. Roll pin

COUPLER REPAIR KITS 88061/88051

1. Lock and shoe assembly
2. Coupler spring
3. Retainer spring
4. Spring retainer
5. Handle
6. Roll pin

"John Deere"



COUPLER REPAIR KIT 07532

1. Plunger, link spring assembly
2. Cam and handle assembly
3. Rivet



Atwood Mobile Products LLC
 1120 North Main Street • Elkhart, IN 46514
 PHONE: 574•264•2131 FAX: 574•262•2550
 INTERNET: http://www.atwoodmobile.com

Yoke Style Coupler

TROUBLE SHOOTING GUIDE

Effective: 8/21/06

Guides are only intended for use on Atwood® products by service technicians who have successfully completed Atwood® training. This guide should be used in conjunction with the appropriate Instruction Manual provided with the product and any applicable Industry Standards. This is not intended to be a complete list. Please direct questions concerning service of Atwood® products to 866-869-3118 before proceeding.



WARNING

PERSONAL INJURY AND/OR PRODUCT DAMAGE

- If any of the following conditions develop, the trailer must not be used until proper corrective action is taken.

CONDITION WITH SOLUTIONS

Chucking or Clatter

- Lack of ball lubrication Lubricate with conventional automotive grease or commercial lubricant made for hitch balls
- Loose hitch ball Inspect hitch ball and tighten
- Hitch ball worn or too small Replace ball
- Worn ball clamp Replace coupler
- Worn ball socket Replace coupler
- Multi-piece ball Replace with one piece ball

Release Handle Does Not Close Easily

- Oversize ball Check ball size
- Ball not fully inserted Check for proper ball size. Check into ball socket to see if jack is fully retracted. Insure release handle is open when inserting ball.
- Broken release handle spring Replace release handle and yoke assembly

- Obstruction in ball socket Clean ball socket
- Seized ball clamp Lubricate clamp with SAE 30 oil or replace coupler.

CONSUMER MAINTENANCE CHECKLIST

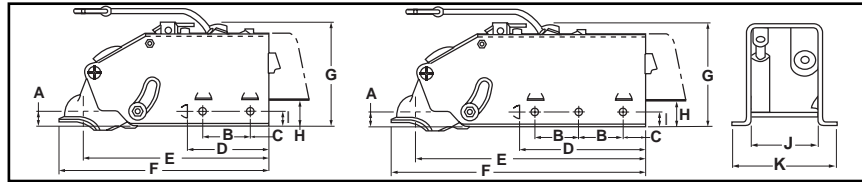
- **MONTHLY CLEAN AND GREASE.**
 If the ball socket or ball clamp show any signs of unusual wear or deformation, the entire coupler should be replaced. The ball clamp is not replaceable.
- **REGULARLY CHECK THE HITCH AND BALL FOR WEAR.**
 All mounting hardware on the hitch should be tight and any worn bolts, washers or nuts should be replaced. The ball should not show any signs of unusual wear or scoring. If this is present, the ball should be replaced and the coupler socket should be checked for dirt or obstructions and a film of grease applied to the socket.
- **REGULARLY OIL ALL SLIDING PARTS OF THE COUPLER WITH S.A.E. 30 OIL.**
 The primary parts this pertains to are the bolt that the ball clamp and yoke latch swivel on and the thumb latch.
- **REGULARLY INSPECT THE COUPLER WELDS.**
 Look closely for hairline cracks and if any are visible, grind the weld off and re-weld according to the instructions provided in the product IOM. If the coupler is bolted to the frame, inspect the mounting bolts. Tighten them or replace if necessary.
- **REGULARLY INSPECT THE COUPLER BODY FOR ANY CRACKS OR DEFORMITIES.**
 If any exist, do not attempt to weld the cracks or straighten the body. Replace the coupler.
- **REGULARLY CHECK THE LATCH MECHANISM MOVES FREELY.**
 If it does not, remove any obstructions. If the spring in the mechanism is damaged, replace the entire yoke latch.

Surge System Terminology

TERMINOLOGY	DEFINITION	TERMINOLOGY	DEFINITION
Backing Plate	the round thin machined plate of the foundation brake that attaches to the axle flange and to which all the brake components are attached.	Lock-out Lever	the device on the actuator that inactivates the brake so that the trailer can be backed up.
Ball Clamp	the device in the ball socket that retains the hitch ball.	Master Cylinder	the reservoir housed in the actuator that contains and supplies all of the brake fluid to the surge system.
Ball Socket	the nose casting of the actuator that receives the hitch ball.	Piston	the inside workings of the master cylinder and wheel cylinder that pump hydraulic fluid.
Bleeder Nut	the threaded nut on the wheel cylinder casting used in bleeding the brake system.	Push Rod	the heavy coiled rod that engages the inlet of the master cylinder.
Bleeding Brakes	the process in which the air is purged from the hydraulic system.	Release Handle	the thumb latching mechanism on the top of the actuator that opens and closes the ball clamp.
Boot	the protective external rubber seal of the wheel cylinder and master cylinder.	Shock Absorber	the gas filled piston in the actuator that smooths out the braking motion.
Brake Line	typically 3/16" steel tubing that transfers hydraulic fluid from the actuator to the foundation brakes.	Shoulder Bolt	the bolt that links the ball socket, shock absorber and push rod.
Brake Shoe	the steel web and attached asbestos lining that produce the friction against the drum for braking.	Surge Brake Actuator	the entire brake housing and its components that are attached to the tongue of the trailer.
Break-away Device	the actuator device connected to the tow vehicle that immediately locks up the brake system, should the tow vehicle and trailer become disconnected in transit.	Surge Brake System	a hydraulic self-contained system of components that require forward motion of the trailer for braking.
Chucking	the term used to describe the condition of a jerky braking motion.	Uni-Servo Brakes	indicates that there is braking only in the forward motion of trailer. The pistons on the trailer brakes face forward.
Hold Down Springs	the springs that retains the shoes to the backing plate of the foundation brake.	Wheel Cylinder	the casting on the foundation brake that transfers hydraulic pressure from the master cylinder to the brake shoes.

Atwood Surge Brake Actuators

Surge Brake Actuator Selection Guide



Part No.	Description	Rated Capacity lbs.	Class	Tongue Load (max.)		A	B	C	D	E	F	G	H	I	J	K
82543	2" ball, painted	6,000	S.A.E. 4	900 lbs.	in.	7/8	3	1 1/8	5 1/8	11 9/16	13 3/16	6 5/8	1 11/16	11/16	3 1/16	4 5/8
					mm	22	76	29	130	294	335	168	43	17	78	117
83153*	2" ball, painted, zinc plated latch	6,000	S.A.E. 4	900 lbs.	in.	7/8	3	1 1/8	5 1/8	11 9/16	13 3/16	6 5/8	1 11/16	11/16	3 1/16	4 5/8
					mm	22	76	29	130	294	335	168	43	17	78	117
84132	2" ball, zinc plated	6,000	S.A.E. 4	900 lbs.	in.	7/8	3	1 1/8	5 1/8	11 9/16	13 3/16	6 5/8	1 11/16	11/16	3 1/16	4 5/8
					mm	22	76	29	130	294	335	168	43	17	78	117
84133*	2" ball, zinc plated, zinc plated latch	6,000	S.A.E. 4	900 lbs.	in.	7/8	3	1 1/8	5 1/8	11 9/16	13 3/16	6 5/8	1 11/16	11/16	3 1/16	4 5/8
					mm	22	76	29	130	294	335	168	43	17	78	117
88730	2" ball, zinc plated* for disc brakes	6,000	S.A.E. 4	900 lbs.	in.	7/8	3	1 1/8	5 1/8	11 9/16	13 3/16	6 5/8	1 11/16	11/16	3 1/16	4 5/8
					mm	22	76	29	130	294	335	168	43	17	78	117
88740	2" ball, painted for disc brakes	6,000	S.A.E. 4	900 lbs.	in.	7/8	3	1 1/8	5 1/8	11 9/16	13 3/16	6 5/8	1 11/16	11/16	3 1/16	4 5/8
					mm	22	76	29	130	294	335	168	43	17	78	117
83000	2" ball, painted, weld-on only	8,000	S.A.E. 4	1,000 lbs.	in.	7/8	3	1 1/8	8 1/8	14 9/16	16 3/16	6 5/8	1 11/16	—	3 1/16	4 5/8
					mm	22	76	29	206	370	411	168	43	—	78	117
83005	2" ball, painted, bolt-on	8,000	S.A.E. 4	1,000 lbs.	in.	7/8	3	1 1/8	8 1/8	14 9/16	16 3/16	6 3/4	1 13/16	11/16	3 1/16	4 5/8
					mm	22	76	29	206	370	411	171	46	17	78	117
83010	2" ball, zinc-plated, bolt-on	8,000	S.A.E. 4	1,000 lbs.	in.	7/8	3	1 1/8	8 1/8	14 9/16	16 3/16	6 3/4	1 13/16	11/16	3 1/16	4 5/8
					mm	22	76	29	206	370	411	171	46	17	78	117
80366	2" ball, zinc plated* bolt-on for disc brakes	8,000	S.A.E. 4	1,000 lbs.	in.	7/8	3	1 1/8	8 1/8	14 9/16	16 3/16	6 5/8	1 11/16	—	3 1/16	4 5/8
					mm	22	76	29	206	370	411	168	43	—	78	117
80360	2" ball, painted*, weld-on for disc brakes	8,000	S.A.E. 4	1,000 lbs.	in.	7/8	3	1 1/8	8 1/8	14 9/16	16 3/16	6 5/8	1 11/16	—	3 1/16	4 5/8
					mm	22	76	29	206	370	411	168	43	—	78	117

* Bulk pack — all others are in individual cartons. **8,000 lb. weld on actuators do not have holes for bolt attachment (weld on ONLY).

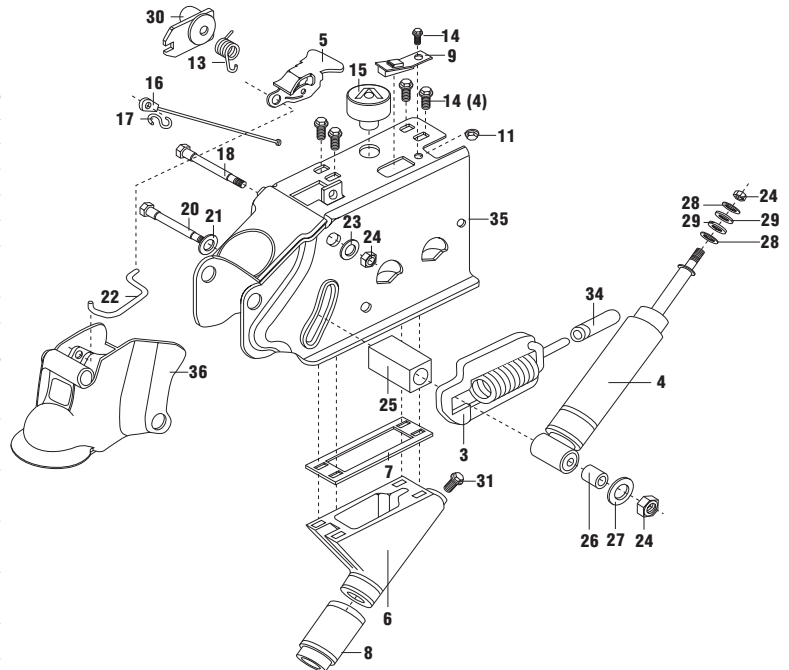
* Compatible with Kodiak® and Reliable® Disc Brake Systems

Hydraulic Brake Actuators

TO ORDER: All kits available for field replacement are numbered. Parts illustrated but not numbered are not available for replacement. Contact the Service Department for further information.

NOTE: Save all attaching hardware when disassembling.

KIT #	DESCRIPTION	REPLACEMENT KIT INCLUDES
85830	SHOCK ABSORBER	4, 24-2 EA. 28-2 EA. 29-2 EA.
87478	CAP	15
85842	SHOULDER BOLT	20, 21, 24-2 EA., 25, 26, 27
85844	RELEASE HANDLE	5, 13, 18, 22, 24-3 EA., 30
85849	STOP & SPRING ASSEMBLY	9, 11, 14, 24
85852	PUSH ROD ASSEMBLY	3, 7, 11, 14-5 EA., 16, 17, 24-2 EA., 34, 8, 9
84258	BOOT	8
80777	ORIFICE-DISC BRAKE APPLICATIONS ONLY	31
85837	MASTER CYLINDER-PUSH ROD KIT DRUM BRAKE APPLICATION	3, 6, 7, 8, 9, 11, 14-5 EA., 16, 17, 24-2 EA. 34
85841	MASTER CYLINDER DRUM BRAKE APPLICATION	6, 7, 14-4 EA. MUST ORDER 84258 SEPARATELY
85838	MASTER CYLINDER-PUSH ROD KIT DISC BRAKE APPLICATION	3, 6, 7, 8, 9, 11, 14-5 EA., 16, 17, 24-2 EA. 34, 15
85840	MASTER CYLINDER DISC BRAKE APPLICATION	6, 7, 14-4 EA. MUST ORDER 84258 SEPARATELY
80376	SOLENOID KIT (DISC ONLY)	CYLINDER, GASKET, SCREW BACK UP SOLENOID ASSEMBLY
85271	6,000 LB DRUM BRAKE HOUSING KIT	7, 35, 36
85309	6,000 LB HOUSING KIT - DISC BRAKES	7, 35, 36

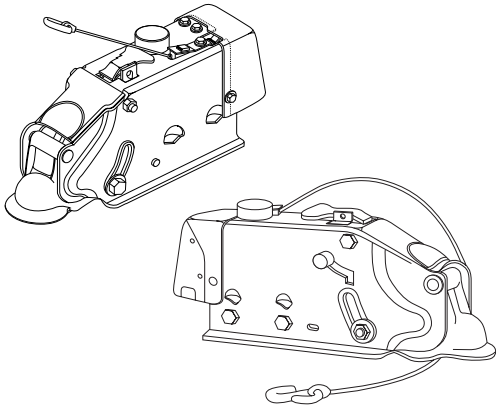


Surge Brake Actuators

6000 & 8000 LB RATING DRUM AND DISC

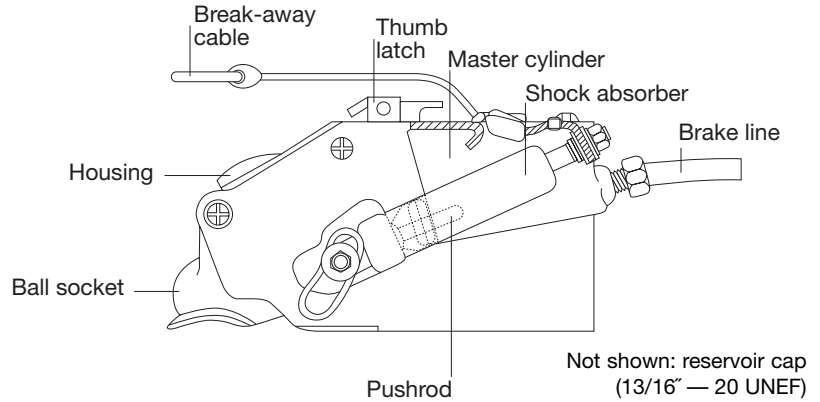
- Fits 3" channel, 2" ball
- Stamped ball clamp
- High gain braking
- Painted or zinc-plated
- Serviceability
- Bolt-on or weld-on
- Simple thumb latch
- Brake lock-out lever
- Break-away cable
- Equalizer hitch compatible
- Disc actuators are available with electric back-up solenoid.

6000 & 8000 LB SPECIFICATIONS



- 4 S.A.E. rating
- **6000 LB. ACTUATOR** - 900 lb. static Max. tongue load
- **8000 LB. ACTUATOR** - 1000 lb. static Max. tongue load
- Stamped channel width
- 2" Ball socket size
- Electro-deposited black paint or zinc plated corrosion protection
- 200 - 1200 psi (650 psi avg.) hydraulic pressure
- 20 lb Shipping weight

IDENTIFICATION



SEQUENCE OF OPERATION:

- Tow vehicle applies brakes
- ↓
- Ball socket pivots
- ↓
- Pushrod engages piston of master cylinder and shock absorber compresses providing some resistance
- ↓
- Master cylinder forces fluid through brake line

HIGH GAIN BRAKING

The Atwood actuator separates itself from the competition in its 'high gain' braking capability. The following information will help you understand this 'high gain' concept.

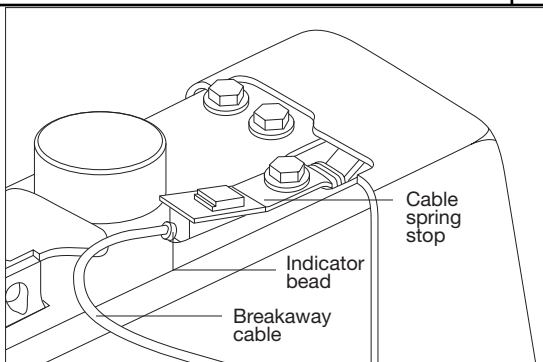
$$A = 2-1/2" \quad A \text{ divided by } C = \text{ratio} = 1.11 \text{ to } 1.00$$

$$B' \text{ to } B^2 = 2-1/4"$$

$$C = \text{movement of } B1 \text{ as ball moves backward } (B2) = 2-1/4"$$

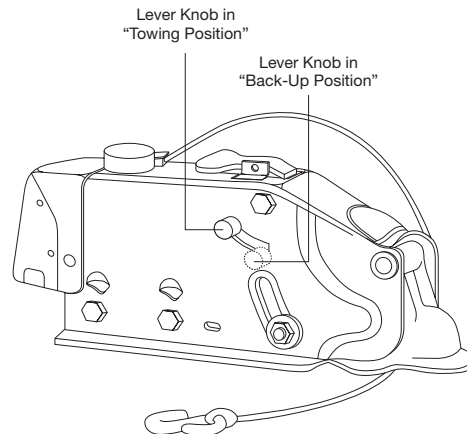
"High Gain" means that more force goes into master cylinder than applied at ball. As ball moves backwards, "C" becomes smaller and "A" stays the same. Ratio becomes larger, thus high gain in force.

Competitor actuators are linear and therefore have a 1:1 ratio.



BREAK-AWAY CABLE

- The break-away cable is not replaceable as just a cable. It is only available with the push rod attached to it.
- The cable must be attached to the tow vehicle as near to center as possible. This will ensure that the cable will properly engage if the tow vehicle and trailer should separate in transit.
- DO NOT use the cable as a parking brake.
- If breakaway cable is activated, it is important that it be positioned properly before actuator is used again. The cable should be re-inserted into the actuator so that the indicator bead on the cable rests against the cable spring stop on the top of the actuator.



LOCK OUT LEVER

- The lock-out lever cannot be added to an actuator not equipped with this device.
- NEVER alter the actuator such that the lock-out lever cannot move freely.

Guides are only intended for use on Atwood® products by service technicians who have successfully completed Atwood® training. This guide should be used in conjunction with the appropriate Instruction Manual provided with the product and any applicable Industry Standards. This is not intended to be a complete list. Please direct questions concerning service of Atwood® products to 866-869-3118 before proceeding.



WARNING

PERSONAL INJURY AND/OR PRODUCT DAMAGE

- If any of the following conditions develop, the trailer must not be used until proper corrective action is taken.

CONDITION WITH SOLUTION

Squeaking, Clatter or Chucking

Lack of hitch ball lubrication	Lubricate with conventional automotive grease or commercial lubricant made for hitch balls
Binding linkage & pivots	Oil linkage & pivots on brake actuator on the brake actuator
Loose hitch	Inspect hitch & tighten
Actuator loose on trailer frame	Inspect brake actuator & tighten
Hitch ball worn or too small	Replace
Overheated brakes	Replace wheel bearing
Broken brake drum(s)	Replace brake drum(s) & check brake shoes
Low brake fluid level	Fill & bleed brakes, per IOM instructions
Worn out shock absorber	Replace
Partial application of breakaway cable	Fully release breakaway cable
Brakes improperly adjusted	Check brakes for adjustments per IOM
Broken brake return spring	Replace return spring
Seized actuator master cylinder	Replace/rebuild actuator master cylinder
Worn out brake shoes	Replace brake shoes & check brake drums
Leaky wheel cylinder	Replace/rebuild wheel cylinders & replace brake shoes. Clean drums & other hardware

Release Handle Does Not Close Easily

Oversized ball	Check ball size
Ball not fully inserted into socket	Check for proper ball size. Check to see if tongue jack is fully retracted. Hold release handle open when inserting ball.
Foreign material in actuator socket	Clean and lubricate

Brake Overheating, Side Pull, Brakes Do Not Operate, Poor Brake Performance

Only one brake is applying	Check brake adjustment, per IOM
Leaking wheel cylinder	Check and replace wheel cylinder and bleed brakes, per IOM instructions.
Seized wheel cylinder piston	Check and rebuild/replace wheel cylinder and bleed system, per IOM instructions.
Foreign material in brake unit	Clean thoroughly
Low hydraulic fluid level	Fill & bleed brakes, per IOM instructions
A bent shoulder bolt	Replace
A bent push rod in the	Replace shock absorber shock absorber
A damaged socket assembly	Replace actuator
Broken/pinched brake lines	Replace
Brake actuator frame damaged	Replace actuator
Worn brake shoe(s)	Replace brake shoe(s)

Towing Vehicle Shaking Back and Forth

Worn vehicle suspension	Replace shock absorber
Hitch not secure	Tighten all bolts and nuts
Under-sized hitch ball	Ball should be 2" machined/forged type

Adjusting 7" & 10" Brakes

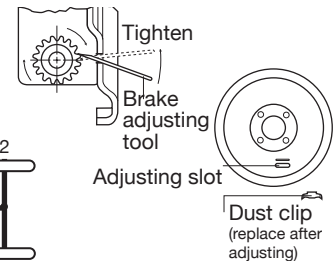
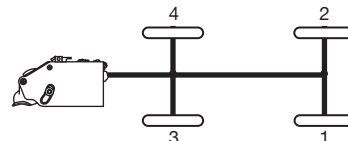
Trailer brakes should be adjusted after the first 1,000 miles of use and at least every 2,000 miles of use thereafter. In addition, trailer brakes should also be inspected for excessive wear, replace lining if necessary and adjusted at the beginning of each season or yearly. Wheel bearings and seals should be inspected and packed at this time.

Effective: 8/22/06

Raise one trailer wheel at a time, chock opposite wheel to prevent trailer from rolling. Remove dust clip from adjusting slot at lower part of back side of brake assembly and insert brake adjusting tool. Adjust brake shoes out until wheels will not turn by moving end of adjusting tool toward top of brake. When this condition is felt, by rotating wheel, back-off (loosening) adjustment until wheel will just turn freely.

- 7" single axle 10 notches
- 7" tandem axle 5 notches
- 10" single axle 8/10 notches
- 10" tandem axle 4/5 notches

Bleeding the Brake System



- Bleeding the brake system at the actuator using a power bleeder or a manual rod/hitch ball bleeder.
- On single axle trailers, bleed the brake that is furthest from the main hydraulic line first. This means that you would bleed brake 3 first on a single axle trailer and brake 1 first on a dual axle trailer with brakes on both axles.
- Use DOT 3 or 4 brake fluid.
- Synthetic silicone based brake fluid is not recommended. It has low water tolerance and decreases braking performance.

Check: • all hydraulic fittings are secure
• fill and bleed brake system as follows:

1. Remove master cylinder filler cap and fill reservoir with DOT type 3 or 4 automotive brake fluid.
2. Check all hydraulic line fittings & connections to make sure they are leak free.
3. At brake assembly, connect a bleeder hose to bleeder fitting on wheel cylinder and submerge free end in a container with brake fluid. DO NOT reuse brake fluid.

NOTE: Use power bleeder or bar with 2" diameter hitch ball attached (FIG 9). Do not use breakaway cable for purpose of bleeding brake system. If a power bleeder is used air pressure 35 PSI is most effective.

NOTE: Bleed brakes on rear most axle furthest from the actuator first.

4. Loosen bleeder fitting at top of brake assembly.
5. Apply actuator (see FIG 9) and tighten bleeder fitting. Return actuator to forward position. Again, loosen bleeder valve one turn and apply actuator. Repeat this procedure until fluid expelled from bleeder hose is free of air bubbles. It is helpful to lower the trailer tongue to promote air bubble movement in the brake tubing. It is also helpful to tap gently along the brake tubing during brake bleeding to keep air bubbles from sticking to the inside of the brake tubing. During this procedure, master cylinder reservoir fluid level must be maintained at no less than 1/2 full and no more than 1/2" from top of reservoir.
6. When no air bubbles are visible, close bleeder valve securely and remove bleeder hose.
7. Repeat STEP 1-6 for remaining brake, then brakes on forward axle.
8. If installation is tandem axle with brakes on both axle, repeat bleeding procedure on rear axle brakes for second time to assure positive purging of all air in system.
9. After bleeding has been completed, re-check fluid level in master cylinder.

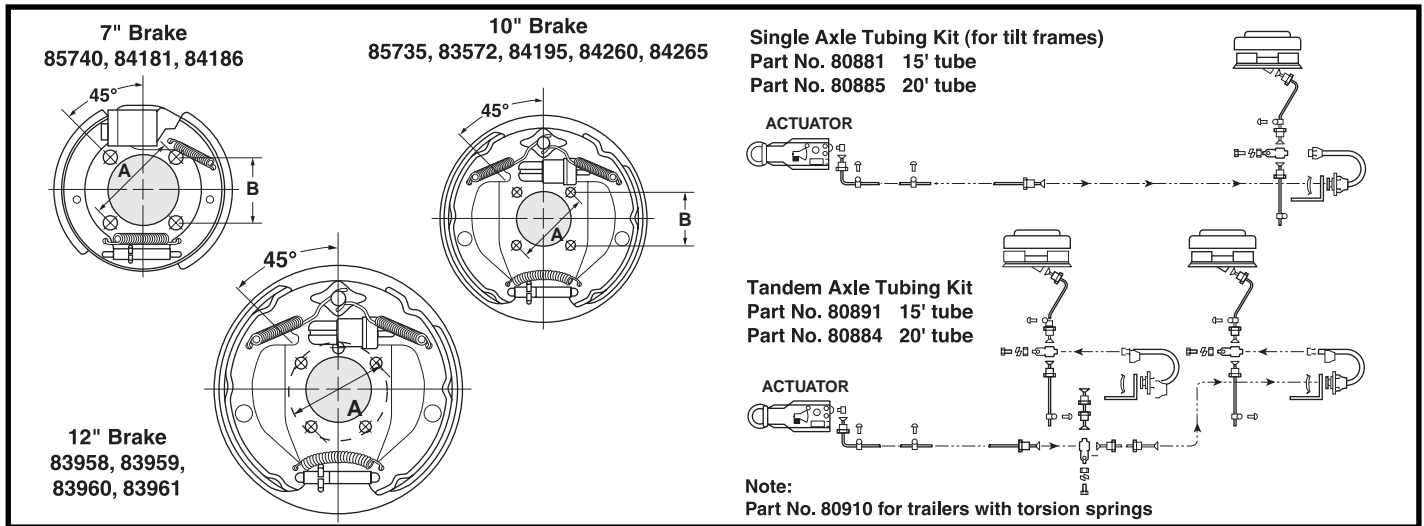
IMPORTANT: do NOT use brake fluid drained from brake system in refilling master cylinder. Brake fluid can be contaminated from the system.

Atwood Foundation Brakes

Foundation Brake Selection Guide

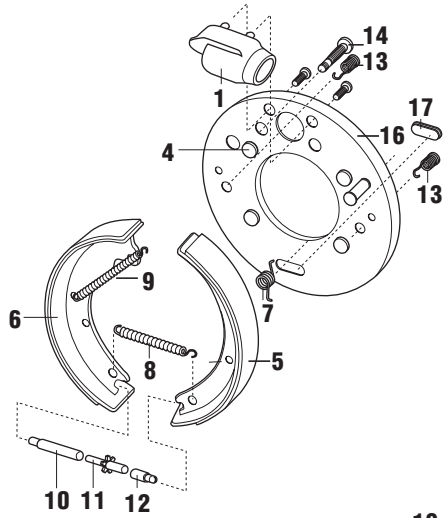
Part No.	Description	Wheel-Hub Drum Group +	A		B		Pack
			in.	mm	in.	mm	
7" BRAKES							
85740	7" x 1 ³ / ₄ " left and right hand, painted	1,800*	4 B.C.	102	3	76	Box
84181	7" x 1 ³ / ₄ " left hand, painted	1,800*	4 B.C.	102	3	76	Bulk
84186	7" x 1 ³ / ₄ " right hand, painted	1,800*	4 B.C.	102	3	76	Bulk
10" BRAKES							
85735	10" x 2 ¹ / ₄ " left and right hand, painted	3,500	4 B.C.	102	3	76	Box
83562	10" x 2 ¹ / ₄ " right hand, painted	3,500	4 B.C.	102	3	76	Bulk
83572	10" x 2 ¹ / ₄ " left hand, painted	3,500	4 B.C.	102	3	76	Bulk
84195**	10" x 2 ¹ / ₄ " left and right hand, zinc, dichromate coated	3,500	4 B.C.	102	3	76	Box
84260	10" x 2 ¹ / ₄ " left hand, zinc plated, dichromate coated	3,500	4 B.C.	102	3	76	Bulk
84265	10" x 2 ¹ / ₄ " right hand, zinc plated, dichromate coated	3,500	4 B.C.	102	3	76	Bulk
12" BRAKES							
83958	12" x 2 ¹ / ₄ " right hand, painted black	6,000	3.88 B.C.	98	—	—	Bulk
83959	12" x 2 ¹ / ₄ " left hand, painted black	6,000	3.88 B.C.	98	—	—	Bulk
83960	12" x 2 ¹ / ₄ " right hand, corrosion resistant silver	6,000	3.88 B.C.	98	—	—	Bulk
83961	12" x 2 ¹ / ₄ " left hand, corrosion resistant silver	6,000	3.88 B.C.	98	—	—	Bulk

* 2,500 lbs. axle capacity when used with an integral cast hub and drum. **Packed in retail box.



Atwood Uni-Servo Brakes

7" BRAKES



84210

NEW STYLE Wheel Cylinder Kit (one axle only)

- 1 (1) WHEEL CYLINDER, R.H.
- 1A (1) WHEEL CYLINDER, L.H.
- 15 (4) 5/16" - 18 x 3/4" CAP SCREW
- 14 (2) 5/16" - 18 FLAT HEAD SCREW

19861

Shoe & Lining Kit (one axle)

- 5 (2) PRIMARY SHOES WITH LINING
- 6 (2) SECONDARY SHOES WITH LINING

23400

Spring Kit (one axle)

- 8 (2) ADJUSTING SCREW SPRINGS
- 9 (2) SECONDARY RETRACTOR SPRINGS
- 7 (1) TORSION SPRING R.H.
- 7A (1) TORSION SPRING L.H.
- 13 (4) SHOE HOLD DOWN SPRINGS

18191

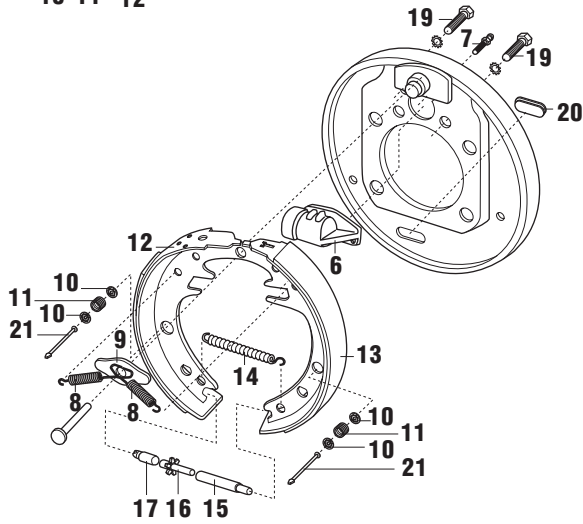
Dust Clip

23401

Adjusting Screw, Pivot Socket & Nut Assembly

- 10 (1) NUT
- 12 (1) PIVOT SOCKET
- 11 (1) ADJUSTING SCREW

10" BRAKES



21669

Wheel Cylinder Replacement Kit (1 axle)

- 6 (1) WHEEL CYLINDER, R.H.
- 6 (1) WHEEL CYLINDER, L.H.
- 19 (4) 5/16" - 8 x 1/2" MOUNTING SCREWS

19862

Brake Shoe and Lining Kit (1 axle)

- 12 (2) PRIMARY SHOES WITH LINING
- 13 (2) SECONDARY SHOES WITH LINING

23385

Brake Shoe Spring & Hold Down Kit (1 axle)

- 8 (4) PRIMARY AND SECONDARY RETRACTOR SPRINGS

- 14 (2) ADJUSTING SCREW SPRINGS
- 21 (4) SHOE HOLD DOWN PINS
- 11 (4) SHOE HOLD DOWN SPRINGS
- 10 (8) SHOE HOLD DOWN WASHERS

18499

(2) Shoe Guide Plate

23401

Adjusting Screw, Pivot Socket & Nut Assembly

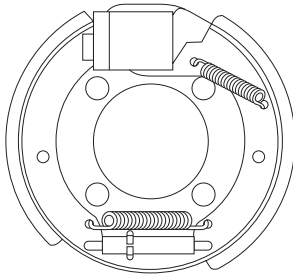
- 15 &
- 16 (1) NUT AND SCREW
- 17 (1) PIVOT SOCKET

18191

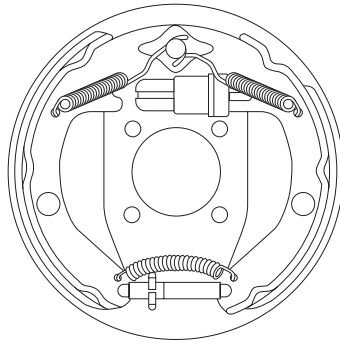
(2) Dust Clip

- 7 (2) Bleeder Nut - not available separately

Foundation Brakes



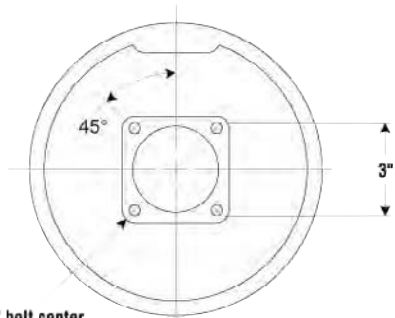
7" Foundation Brake



10" Foundation Brake

FEATURES

- These are uni-servo brakes. The piston must face forward on the trailer.
- These are not self-adjusting brakes. Brake shoes must be adjusted using a brake adjustment tool on the star wheel of the adjusting screw. This adjustment is covered later in this manual.
- All components are replaceable except the backing plate. If the backing plate is damaged, the entire brake cluster must be replaced.
- These brakes are interchangeable with the major brands of hydraulic brakes you find in the marketplace.
- Our brakes are not convertible to electric or electric over hydraulic.



4" bolt center

SPECIFICATIONS

Axle capacity
Corrosion protection

7 INCH

1800 lbs.*
electro-deposited
black paint

10 INCH

3500 lbs.
electro-deposited
black paint or zinc-
dichromate with
stainless springs
10" x 2-1/4"

Dimensions

7" x 1-3/4"

*Rated capacity is increased to 2500 lb. axle capacity when used with an integral cast iron hub and drum.

SEQUENCE OF OPERATION:

Fluid from master cylinder enters the wheel cylinder



Piston of wheel cylinder extends and forces shoe to drum



Primary shoe engages drum

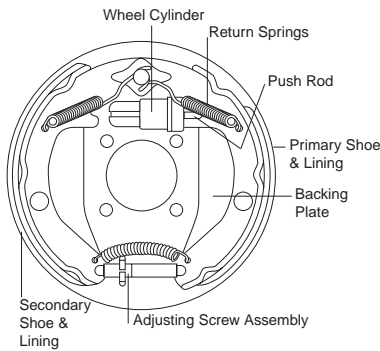


Secondary shoe engages drum

Piston should face forward on trailer axle. It is acceptable for piston to face downward but not recommended. NEVER position brake so that piston points upward.

The old wheel cylinder is not replaceable with the new style. The cut-out in the cylinder casting is different from old to new style brake. Refer to schematic on page 62.

The packing plates are not replaceable due to liability reasons. The entire brake cluster must be replaced in this situation.

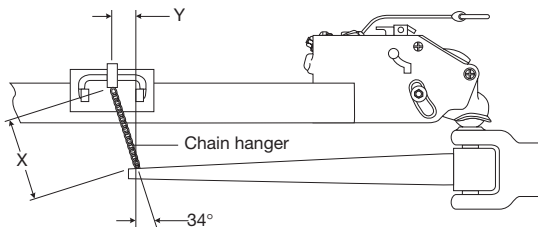


EQUALIZER HITCH & SWAY CONTROL

An equalizer hitch may be used with the surge brake actuator. However, the following criteria must be closely followed. Failure to do so may reduce or prevent trailer braking.

X"	Y"
(Chain length)	(Chain Hanger Mfg. location)
6-1/2"	3-5/8"
7-1/2"	4-3/16"
9"	5"
12-1/2"	5-7/8"

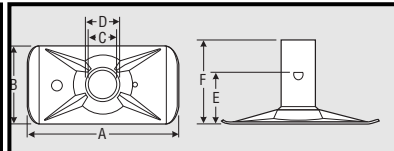
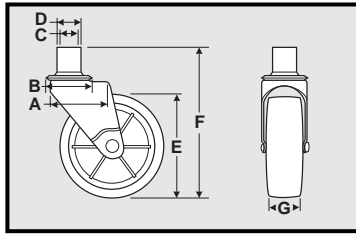
NOTE: There is NOT a sway control available that is compatible with the Atwood surge actuator. The sway controls that are available prevent safe and sufficient braking with our actuator.



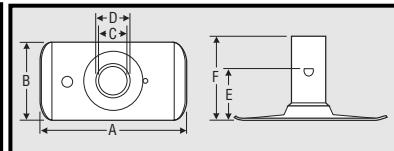
PROPER TOWING CHECKLIST

- ✓ Inspect the brake fittings for leaks.
- ✓ Adjusted the brakes every 2000 miles (page 8).
- ✓ Lubricated all mechanical moving parts.
- ✓ Inspect the breakaway cable for any kinks.
- ✓ Verify that a one-piece 2" ball is being used and that it doesn't have any chips, dirt or hairline cracks.
- ✓ Securely attached the safety chains to the trailer and tow vehicle.
- ✓ For proper braking, the trailer should set level when attached to the tow vehicle to produce a positive tongue load.
- ✓ Use DOT 3 brake fluid in the master cylinder and fill it between 1/2 full to 1/2" from the top of the cylinder reservoir.

Atwood Casters and Feet



82650, 82660



80260, 80261

80259, 80552, 84036

CASTERS AND FEET SELECTION GUIDE

SUPPORT CAPACITY DEFINITION: The support capacity is the maximum vertical load the jack can support.

*If jack is used with caster then the system capacity will be rated at 1,000 lb (the load carrying capacity of the caster).

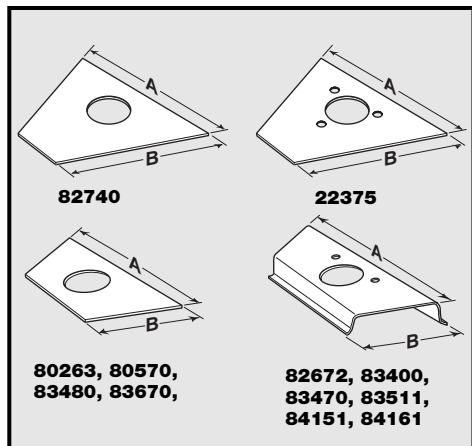
Part No.	Description	Support Capacity lbs.	Fits Jack RAM Sizes	A		B		C = I.D.		D = O.D.		E		F		G	
				in.	mm	in.	mm	in.	mm	in.	mm	in.	mm	in.	mm	in.	mm
80203	Duraplas caster, zinc plated	1,000	1 3/4" O.D.	3 3/8	86	2	51	1 3/4	44	2	51	6	152	9	229	2	51
80259	Duraplas caster	1,000	1 3/4" O.D.	3 3/8	86	2	51	1 3/4	44	2	51	6	152	9	229	2	51
80552	Duraplas caster	1,000	2" O.D.	3 3/8	86	2	51	2	51	2 1/4	57	6	152	9	229	2	51
84036	Duraplas caster, painted, pin-on	1,000	2" O.D.	3 3/8	86	2	51	2	44	2 1/4	57	6	152	9	229	2	51
80260	Steel foot	1,000	1 3/4" O.D.	5 3/8	137	4	102	1 3/4	44	2	51	2 1/8	54	—	—	—	—
80261	Steel foot w/extension	1,000	1 3/4" O.D.	5 3/8	137	4	102	1 3/4	44	2	51	7 3/4	197	—	—	—	—
82650	Steel foot	6,000	2" O.D.	8	203	4 3/4	121	2	51	2 1/4	57	2 5/8	67	—	—	—	—
82660	Steel foot w/extension	6,000	2" O.D.	8	203	4 3/4	121	2	51	2 1/4	57	5 1/2	140	8 1/8	206	—	—
80521	Duraplas caster, OBSOLETE	1,000	1 5/8" O.D.	3 3/8	86	2	51	1 5/8	42	1 7/8	48	6	152	9	229	1 1/2	38
83300	Duraplas caster, OBSOLETE	1,000	1 5/8" O.D.	3 3/8	86	2	51	1 5/8	42	1 5/8	42	6	152	9	229	2	51
82655	Steel foot, OBSOLETE	1,000	1 5/8" O.D.	5 3/8	137	4	102	1 5/8	42	1 5/8	42	2 1/8	54	—	—	—	—
82665	Steel foot w/extension, OBSOLETE	1,000	1 5/8" O.D.	5 3/8	137	4	102	1 5/8	42	1 5/8	42	7 3/4	197	—	—	—	—

Note: When a jack is used in conjunction with a caster, the caster limits the capacity of the jack caster system to 1,000 pounds.

Atwood Support Plates

SUPPORT PLATES SELECTION GUIDE

Part No.	Description	Rated Capacity lbs.	A		B		Hole Diameter	
			in.	mm	in.	mm	in.	mm
83480	Top Support Plate	—	6	152	3 1/2	89	2.30	58
83670	Support Plate	—	8 3/4	222	3 1/2	89	2.28	58
80263	Bottom Support Plate	1,000	8 3/4	222	3 1/2	89	2.05	52
80570	Bottom Support Plate	—	8 3/4	222	3 1/2	89	2.23	57
82740	Top Support Plate	—	10 1/8	257	7 3/8	187	2.32	59
22375	Top Support Plate	5,000	10 1/8	257	7 3/8	187	2.32	59
83400	Bottom Support Plate	6,000	10 1/4	260	3 3/8	86	2.32	59
83470	Bottom Support Plate	6,000	7 3/4	197	3 3/8	86	2.32	59
83511	Bottom Support Plate	8,000	7 3/4	197	3 3/8	86	2.32	59
82672	Bottom Support Plate	8,000	10 1/4	260	3 3/8	86	2.32	59
84151	Bottom Support Plate	11,000	7 3/4	197	3 3/8	86	2.32	59
84161	Bottom Support Plate	11,000	10 1/4	260	3 3/8	86	2.32	59



SideWind and Top Wind Jack Features

SIDEWIND VS TOPWIND

Topwind and sidewind jacks are available. The topwind jack has the handle attached directly to the screw that protrudes through the top of the outer jack ram. The sidewind jack has a metal cap on the top of the outer jack ram. The handle comes out of the side of the top of the jack and pins to a vertical bevel gear located in the head of the jack.

FRAME ATTACHMENT

Jacks can attach to the frame of a trailer or apparatus in a several ways.

- Jacks with no brackets can be welded directly to the frame.
- An A-frame jack with a triangular flange attached allows the jack to be bolted to an A-frame coupler (additional support plates **must** be used).
- A U-bolt jack using two U-bolts wrapped around the jack allows for more flexibility where the jack can be mounted on the trailer frame.
- Snap ring swivel jacks are used primarily in the marine market. This jack attaches to a weld-on or bolt-on receiver bracket on the trailer and the jack attaches to it. The jack is to be swiveled parallel to the ground when the trailer is in tow.
- We have a line of tubular swivel jacks that are popular with the agricultural

market. A tube welded to the trailer frame mates with a tube mounted on the jack, allowing the jack to be swiveled parallel with the ground when the implement is in tow.

TRAVEL

Travel refers to the length that the inner ram of the jack can be extended from a fully retracted to a fully extended position. The travel on the sidewind and topwind jacks range from 8" - 15".

RATED CAPACITY

All Atwood jacks are dynamically rated opposed to statically rated. Dynamic capacity refers to the working capacity or maximum load that the jack can support for castering and easy lifting of a fully loaded trailer. The static or support capacity is the maximum vertical load that the jack can support. The weight ratings of our jacks are from 500 - 11,000 lbs.

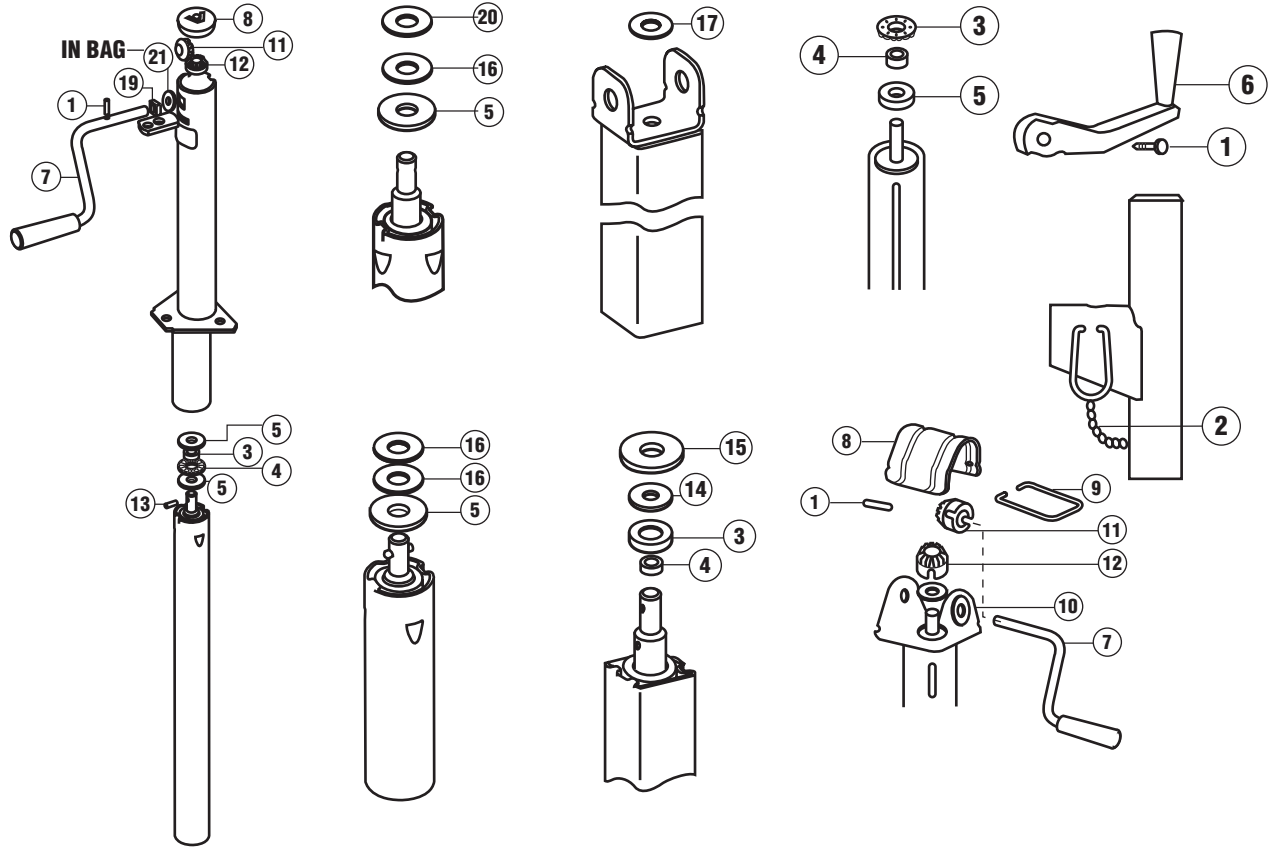
FINISH

Most of our jacks are electro-statically painted with black enamel. Therefore, it can be used as is since it exceeds the A.S.T.M. 96 hour salt spray test. This paint process provides a very good prime coat.

ACCESSORY ATTACHMENT

Both casters and feet are available for our screw jacks.

Jack Replacement Kits



GEAR KITS				
ITEM#	DESCRIPTION	81410	25524	81480
11/12	Bevel Gear, 15 Tooth		2	
11	Bevel Gear, 12 Tooth	1		1
12	Bevel Gear, 16 Tooth			1
12	Bevel Gear, 16 Tooth	1		
1	Roll Pin 1.25 x .15	1	1	1
13	Roll Pin .81 x .23	1	1	1
NS	IOM (not shown)	1	1	1

BEARING & THRUST WASHER KITS						
ITEM#	DESCRIPTION	81415	81416	81417	81418	81419
3	Thrust Bearing		1	1		1
5	Thrust Bearing Washer	1	2	2	1	
14	Support Washer					1
15	Cap Washer					1
16	Thrust Washer				2	
17	Clutch Thrust Washer					1
4	Felt Sleeve	1	1			1

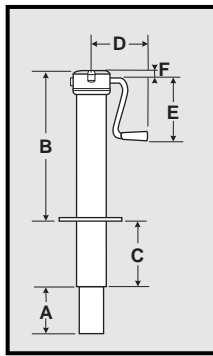
HANDLE KITS				
ITEM#	DESCRIPTION	82700	25526	83401
6	Handle	1		
7	Handle		1	1
1	Rivet .88 x .24	1		
1	Roll Pin 1.25 x .15		1	
10	Metal Bushing		1	
NS	IOM (not shown)	1		

REPAIR KITS				
ITEM#	DESCRIPTION	80454	80455	80465
8	Small Cap	1		
8	Large Cap		1	1
12	Bevel Gear, 12 tooth	1		
11	Bevel Gear, 12 tooth	1		
11/12	Bevel Gear, 15 tooth		2	2
7	Handle Assembly	1	1	1
18	Thrust Plate	1	1	1
4	Thrust Bearing	1		1
3	Felt Sleeve	1		1
5	Thrust Brg Washer	2	1	2
16	Plastic Brg Washer	1	1	
21	Flat Washer		1	1
20	Washer, 16 GA	1		
19	Bushing	1		
13	Plain Pin	1		
1	Drive Pin	1		
13	Roll Pin		1	1
1	Grove Pin		1	1
NS	IOM (not shown)	1	1	1

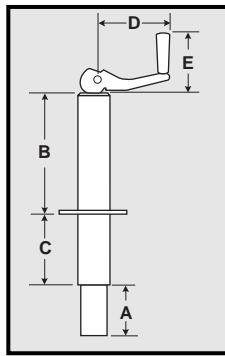
CAP KITS					
ITEM#	DESCRIPTION	25525	84120	80456	80457
8	Metal Cover	1	1		
8	Plastic Cap, Large			1	
8	Plastic Cap, Small				1
9	Retaining Clip	1		1	
NS	IOM (not shown)	1	1		

MISCELLANEOUS ITEMS		
ITEM#	DESCRIPTION	
2	5/8" Pin, Chain & Clip	85411
2	7/8" Pin & Chain	85719

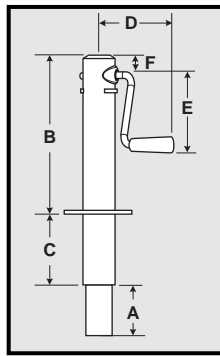
Atwood A-Frame Jacks



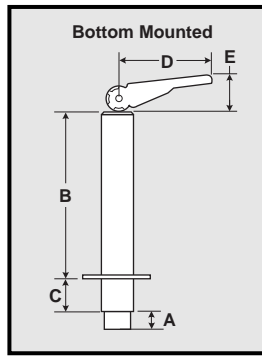
84033



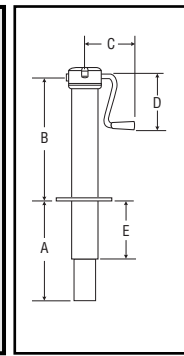
**80009, 80016,
80022, 80156,
80391, 80401,
80402, 80405,
80406, 84034**



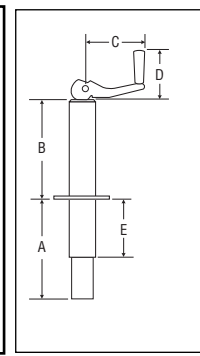
**80000, 80160,
80265, 87510**



**82642, 82721,
83391, 84146**



**80340,
80341,
81041,
84223**



**80250,
83270,
83275,
84155**

A-FRAME JACK SELECTION GUIDE

Part No.	Finish	Support Capacity lbs.	WIND		A				B		C		D		E		F		Outer Diameter			
			Top	Side	retracted		extended		in.	mm	in.	mm	in.	mm	in.	mm	in.	mm	in.	mm	Inner ram	housing
					in.	mm	in.	mm														
84033	Paint, fast-travel for pin-on caster (c)	750		•	2.1	53	16.1	409	18.2	462	4.0	102	6.4	163	6.0	152	1.0	25	2.00	2.20		
80016	Zinc Plated (c)	1,000	•		1.6	41	13.7	348	13.3	338	3.8	97	5.8	147	5.3	135	—	—	1.77	2.00		
80156	Zinc Plated (c)	1,000	•		2.1	53	17.3	439	15.5	394	4.5	114	5.8	147	5.3	135	—	—	1.77	2.00		
80009	Paint (c)	1,000	•		2.6	66	17.7	450	13.6	345	6.0	152	5.8	147	5.3	135	—	—	1.77	2.00		
80022	Zinc Plated (c)	1,000	•		2.6	66	17.7	450	13.6	345	6.0	152	5.8	147	5.3	135	—	—	1.77	2.00		
80000	Paint (c)	1,000		•	3.0	76	18.4	467	15.7	399	6.0	152	6.3	160	6.0	152	1.3	33	1.77	2.00		
80160	Galvanized (c)	1,000		•	3.0	76	18.4	467	15.7	399	6.0	152	6.3	160	6.0	152	1.3	33	1.77	2.00		
80265	Paint (c)	1,000		•	3.0	76	18.4	467	17.2	437	4.5	114	6.3	160	6.0	152	1.3	33	1.77	2.00		
80405	Painted (c, e)	2,000*	•		2.0	51	17.1	434	10.2	259	7.0	178	5.8	147	5.3	135	—	—	2.00	2.20		
80406	Zinc Plated (c,e)	2,000*	•		2.0	51	17.1	434	10.2	259	7.0	178	5.8	147	5.3	135	—	—	2.00	2.20		
84034	Paint pin-on caster (c)	2,000*	•		2.051	17.1	434	16.2	411	4.0	102	5.8	147	5.3	135	—	—	2.00	2.20			
80401	Paint (c)	2,000*	•		2.0	51	17.1	434	13.2	335	7.0	178	5.8	147	5.3	135	—	—	2.00	2.20		
80402	Paint pin-on caster (c)	2,000*	•		2.0	51	17.1	434	13.2	335	7.0	178	5.8	147	5.3	135	—	—	2.00	2.20		
87510	Paint (c)	2,000*		•	1.4	36	15.4	391	16.5	419	7.0	178	7.1	180	7.5	191	1.7	43	2.00	2.20		
80391	Paint (a, d)	5,000	•		1.4	36	15.5	394	10.7	272	9.5	241	5.8	147	5.3	135	—	—	2.00	2.20		
83391	Paint (a,d)	6,000	•		0.3	8	10.9	277	15.0	381	2.2	56	9.2	234	1.6	41	—	—	2.00	2.20		
82642	Paint (a,d)	8,000	•		1.3	33	11.6	295	15.9	404	0.6	15	9.2	234	1.6	41	—	—	2.00	2.25		
82721	Paint (a,b,d)	8,000	•		1.5	38	16.3	414	19.5	495	1.0	25	9.2	234	1.6	41	—	—	2.00	2.25		
84146	Paint (a,d)	11,000	•		0.3	8	10.6	269	16.9	429	0.6	15	9.2	234	1.6	41	—	—	2.00	2.25		
80250	Painted (c) OBSOLETE	1,000	•		85/8	218	233/4	603	135/8	345	63/8	162	51/4	133	6	152			15/8	17/8		
80340	Painted (c) OBSOLETE	1,000		•	85/8	218	24	610	143/4	375	65/8	168	65/8	168	6	152			15/8	17/8		
80341	Galvanized (c) OBSOLETE	1,000		•	85/8	218	24	610	143/4	375	65/8	168	65/8	168	6	152			15/8	17/8		
81041	Painted (c) OBSOLETE	2,000*		•	91/8	232	231/8	587	141/4	361	65/8	168	65/8	168	7	178			2	21/4		
83270	Zinc Plated (c) OBSOLETE	1,000	•		51/2	138	175/8	446	131/8	334	63/8	162	51/2	140	33/4	95			15/8	17/8		
83271	Zinc Plated (c) OBSOLETE	1,000	•		51/2	138	175/8	446	131/8	334	63/8	162	51/2	140	61/4	159			15/8	17/8		
83275	Painted (c) OBSOLETE	1,000	•		6	152	181/8	460	13	331	63/8	162	51/2	140	33/4	95			15/8	17/8		
84155	Zinc Plated (c) OBSOLETE	1,000	•		61/2	163	185/8	471	121/8	309	63/8	162	51/4	133	43/4	121			15/8	17/8		
84223	Painted (c) OBSOLETE	2,000		•	81/2	216	191/8	486	11	279	63/8	162	65/8	168	71/2	190			2	21/4		

SUPPORT CAPACITY DEFINITION:

The support capacity is the maximum vertical load the jack can support.
 *If jack is used with caster then the system capacity will be rated at 1,000 lb (the load carrying capacity of the caster).
 (a) Designed for Mobile Home application
 (b) Double wall ram
 (c) Caster/Foot must be ordered separately
 (d) Bottom mounted jack requires special bottom mounted attachment plate.

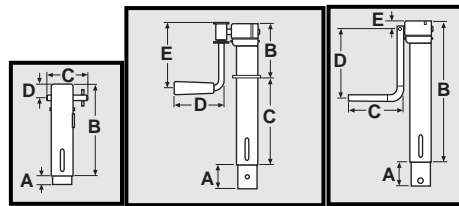
Atwood A-Frame Jacks - CONTINUED

A-FRAME JACK REPAIR KITS

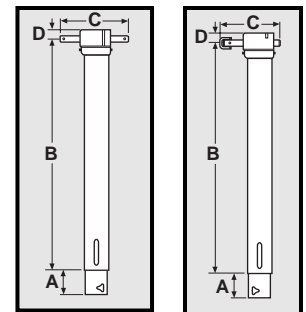
Part No.	Handle	Handle & Rivet	Gear	Thrust Bearing	Repair	Cap	Caster	Short Foot	Long Foot
84033	25526	x	81410	81416	x	84120	80552	82650	82660
80016	82700	x	x	81416	x	x	80203	80260	80261
80156	82700	x	x	81416	x	x	80203	80260	80261
80009	82700	x	x	81416	x	x	80259	80260	80261
80022	82700	x	x	81416	x	x	80203	80260	80261
80000	x	x	x	x	80454*	80457	80259	80260	80261
80160	x	x	x	x	80454*	80457	80203	80260	80261
80265	x	x	x	x	80454*	80457	80259	80260	80261
84034	82700	x	x	81416	x	x	80552	82650	82660
80401	82700	x	x	81416	x	x	80552	82650	82660
80402	82700	x	x	81416	x	x	84036	x	x
87510	x	x	x	x	80465*	80456	80552	82650	82660
80391	82700	x	x	81417	x	x	x	x	x
83391	N/A	85806/85656	x	81417	x	x	80552	82650	82660
82642	N/A	87139/85656	x	81417	x	x	80552	82650	82660
82721	N/A	87139/85656	x	81417	x	x	80552	82650	82660
84146	N/A	87108/85656	x	81417	x	x	80552	82650	82660
80250	82700	x	25524	81416	x	x	NLA	82655	82665
80340	25526	x	25524	81416	x	25525	NLA	82655	82665
80341	25526	x	81410	81418x2	x	25525	NLA	82655	82665
81041	25526	x	x	81416	x	84120	80552	82650	82660
83270	82700	x	x	81418	x	x	NLA	82655	82665
83271	82700	x	x	81418	x	x	NLA	82655	82665
83275	82700	x	x	81418	x	x	NLA	82655	82665
84155	82700	x	x	81418	x	x	NLA	82655	82665
84223	25526	x	81410	81418	x	84120	80552	82650	82660

* Includes handle

Atwood Specialty Jacks



80150 80109, 80123 80117



80096, 81459 80134
80325-OBS 80315-OBS

SPECIALTY JACK SELECTION GUIDE

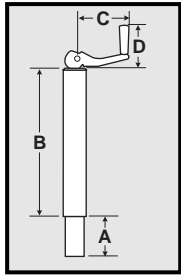
Part No.	Description	Support Capacity lbs.	Side Wind	A				B		C		D		E		Outer Diameter			
				retracted		extended		in.	mm	in.	mm	in.	mm	in.	mm	in.	mm	Inner ram	housing
				in.	mm	in.	mm												
80134	Universal drive	500	•	1.9	48	15.6	396	18.6	472	4.9	125	0.8	20	-	-	1.77	2.00		
80096	Shaft drive	1,000	•	1.9	48	15.6	396	18.6	472	5.6	142	0.8	20	-	-	1.77	2.00		
80117	Pin on handle	1,000	•	1.9	48	10.2	259	13.0	330	4.8	122	6.0	152	0.8	20	1.77	2.00		
80109	Swivel handle	1,000	•	1.9	48	9.9	251	5.98	152	7.0	178	4.7	119	6.0	152	1.77	2.00		
80123	Swivel handle	1,000	•	1.9	48	9.9	251	7.04	179	5.9	150	4.7	119	6.0	152	1.77	2.00		
80150	Shaft drive	1,000	•	0.7	18	4.9	124	8.54	217	3.6	91	1.3	33	-	-	1.77	2.00		
81459	Shaft drive	2,000	•	2.3	58	16.3	414	21.6	549	5.6	142	0.8	20	-	-	2.00	2.26		
80315	Universal drive - OBSOLETE	500	•	1.9	48	15.6	396	18.6	472	4.9	125	0.8	20	-	-	1.62	1.87		
80325	Shaft drive - OBSOLETE	1,000	•	1.9	48	15.6	396	18.6	472	5.6	142	0.8	20	-	-	1.62	1.87		

SUPPORT CAPACITY DEFINITION: The support capacity is the maximum vertical load the jack can support.

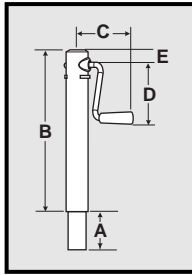
SPECIALTY JACK REPAIR KITS

Part No.	Handle & Pin	Gear	Bearing	Repair	Cap	Caster	Short Foot	Long Foot
80134	x	25524	81418	x	25525	80259	80260	80261
80096	x	25524	81418	x	25525	80259	80260	80261
80117	80317/17931	25524	81418	x	25525	x	x	x
80109	87362/17931	25524	81418	x	25525	x	x	x
80123	87362/17931	25524	81418	x	25525	x	x	x
80150	x	x	x	80455	80457	x	x	x
81459	x	81410	81518	x	84120	80552	82650	82660
80315	x	25524	81418	x	25525	NLA	82655	82665
80325	x	25524	81418	x	25525	NLA	82655	82665

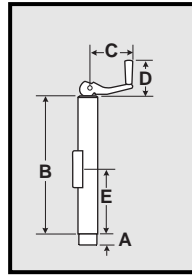
Jack Screws



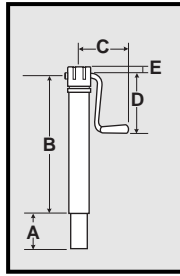
**80029, 80036,
80167, 80177,
80188, 80380**



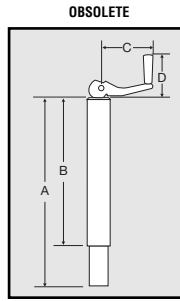
80126, 80172



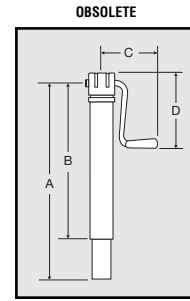
82522



81141



**80220, 80230,
80239, 80240,
81310**



80311, 80321

SUPPORT CAPACITY DEFINITION:

The support capacity is the maximum vertical load the jack can support.

*If jack is used with caster then the system capacity will be rated at 1,000 lb (the load carrying capacity of the caster).

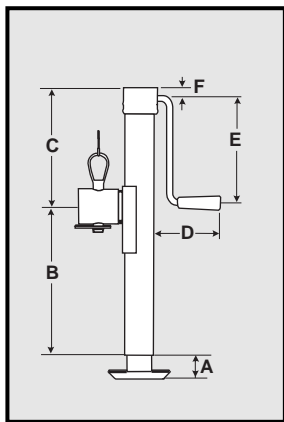
JACK SCREW SELECTION GUIDE

Part No.	Finish	Support Capacity	WIND		A				B		C		D		E		Outer Diameter					
					Top	Side	retracted		extended		in.	mm	in.	mm	in.	mm	in.	mm	in.	mm	Inner ram	housing
							in.	mm	in.	mm												
80188	Unpainted	1,000	●		2.0	51	10.5	267	11.0	279	5.8	147	5.3	135	—	—	1.8	2.0				
80167	Paint	1,000	●		2.1	53	16.0	406	19.7	500	5.8	147	5.3	135	—	—	1.8	2.0				
80177	Paint	1,000	●		2.0	51	10.4	264	11.0	279	5.8	147	5.3	135	—	—	1.8	2.0				
80029	Zinc	1,000	●		1.6	41	13.2	335	17.0	432	5.8	147	5.3	135	—	—	1.8	2.0				
80036	Paint	1,000	●		2.1	53	13.7	348	17.0	432	5.8	147	5.3	135	—	—	1.8	2.0				
80126	Paint	1,000		●	2.3	58	16.0	406	19.5	495	6.3	160	6.0	152	1.3	33	1.8	2.0				
80172	Paint	1,000		●	2.2	56	10.5	267	13.1	333	6.3	160	6.0	152	1.3	33	1.8	2.0				
82522	Unpainted	2,000	●		1.0	25	11.0	279	14.2	361	5.8	147	5.3	135	6.7	170	2.0	2.2				
81141	Paint	2,000*		●	2.3	58	16.3	414	21.7	551	6.4	163	6.0	152	1.0	25	2.0	2.2				
80380	Unpainted	5,000	●		1.4	36	15.5	394	20.3	516	5.8	147	5.3	135	—	—	2.0	2.2				
80220	Painted-OBSOLETE	1,000	●		2 13/4	553	35 5/8	905	19 5/8	499	6 3/8	161	5 1/4	133			1 5/8	1 7/8				
80230	Painted-OBSOLETE	1,000	●		19	483	30 3/4	780	17	431	6 3/8	161	5 1/4	133			1 5/8	1 7/8				
80239	Painted-OBSOLETE	1,000	●		13	330	21 1/2	545	12 3/8	314	6 3/8	161	5 1/4	133			1 5/8	1 7/8				
80240	Painted-OBSOLETE	1,000	●		13	330	21 1/2	545	11	280	6 3/8	161	5 1/4	133			1 5/8	1 7/8				
80311	Painted-OBSOLETE	1,000		●	20 3/8	519	34 1/8	867	18 5/8	472	6 5/8	167	6 5/8	167			1 5/8	1 7/8				
80321	Painted-OBSOLETE	1,000		●	14	355	22 1/4	566	12 1/8	310	6 5/8	167	6 5/8	167			1 5/8	1 7/8				
81310	Painted-OBSOLETE	1,000	●		18 5/8	472	30 3/4	780	17	431	6 3/8	161	5 1/4	133			1 5/8	1 7/8				

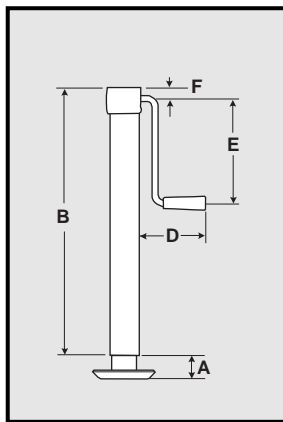
JACK SCREW REPAIR KITS

Part No.	Handle	Gear	Bearing	Repair	Cap	Caster	Short Foot	Long Foot
80188	82700	x	81416	x	x	80259	80260	80261
80167	82700	x	81416	x	x	80259	80260	80261
80177	82700	x	81416	x	x	80259	80260	80261
80029	82700	x	81418	x	x	80259	80260	80261
80036	82700	x	81418	x	x	80259	80260	80261
80126	x	x	x	80454	80457	80259	80260	80261
80172	x	x	x	80454	80457	80259	80260	80261
82522	82700	x	81416	x	x	x	x	x
81141	25526	81480	81416	x	84120	80552	82650	82660
80380	82700	x	81417	x	x	80552	82650	82660
80220	82700	x	81416	x	x	NLA	82655	82665
80230	82700	x	81418	x	x	NLA	82655	82665
80239	82700	x	81416	x	x	NLA	82655	82665
80240	82700	x	81416	x	x	NLA	82655	82665
80311	25526	25524	81418	x	25525	NLA	82655	82665
80321	25526	25524	81418	x	25525	NLA	82655	82665
81310	82700	x	81418	x	x	NLA	82655	82665

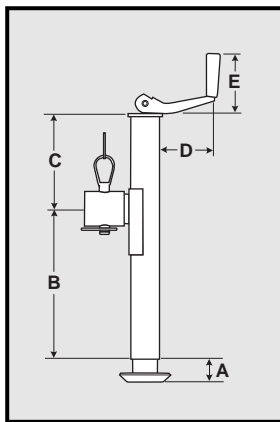
Atwood Square Tube Jacks



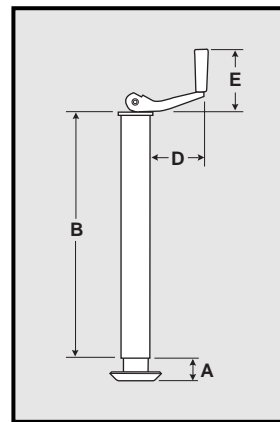
80407



80408



80409



80410

SUPPORT CAPACITY DEFINITION:
The support capacity is the maximum vertical load the jack can support.

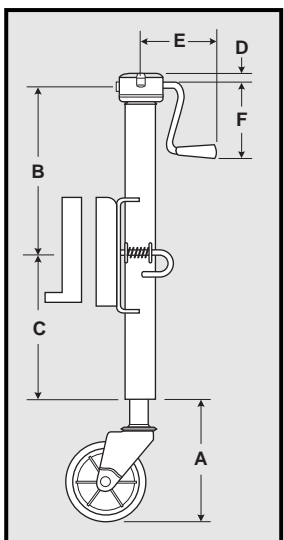
SQUARE TUBE JACK SELECTION GUIDE

Part No.	Description	Support Capacity lbs.	WIND		A				B		C		D		E		F		Outer Dimension	
					retracted	extended		in.	mm	in.	mm	in.	mm	in.	mm	in.	mm	in.	mm	Inner ram
			Top	Side	in.	mm	in.	mm	in.	mm	in.	mm	in.	mm	in.	mm	in.	mm		
80407	With tube swivel bracket	3,500		•	1	25.4	16	406	14.38	365	10.25	260	5.8	147	9.0	229	1.0	25.4	2.25	2.5
80408	Without bracket	3,500		•	1	25.4	16	406	24.63	627	—	—	5.8	147	9.0	229	1.0	25.4	2.25	2.5
80409	With tube swivel bracket	5,000	•		1	25.4	17	432	14.38	365	8.25	210	5.0	127	5.5	140	—	—	2.25	2.5
80410	Without bracket	5,000	•		1	25.4	17	432	22.63	575	—	—	5.0	127	5.5	140	—	—	2.25	2.5

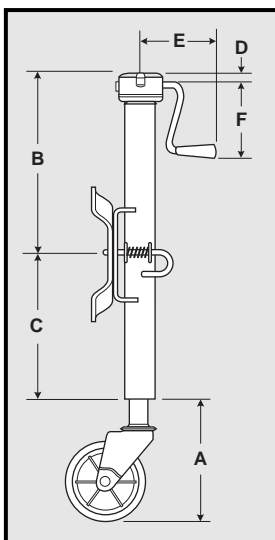
SQUARE TUBE JACK REPAIR KITS

Part No.	Handle & Pin	Handle	Gear	Thrust Bearing	Cap	Pin & Chain
80407	83401/70229	x	75029	81419	71416	85719
80408	83401/70229	x	75029	81419	71416	x
80409	x	82700	x	81415	x	85719
80410	x	82700	x	81415	x	x

Atwood Bolt Swivel Jacks



84025, 84026 OBS



84015, 84020

FEATURES

SPECIFICATIONS
Working Capacity
Supporting Capacity
Finish
Travel (extension)
Frame Brackets

Screw and Nut
Locking Mechanism
Bevel Gears

STANDARD

500 lbs., 1000 lb.
800 lbs., 1000 lb.
Zinc Plated
8" - 14"
weld-on, bolt on
adjustable bolt-on
8 pitch
1/2" dia. single pin
15 and 15 tooth (500 lbs.)
15 and 15 tooth (1000 lb.)

PRO TOW

750 lbs.
1000 lb.
Zinc Plated
11-1/2"
weld-on
adjustable bolt-on
6 pitch
1/2" dia. single pin
15 and 15 tooth (750 lbs.)

BOLT SWIVEL JACK REPAIR KITS

Part No.	Handle	Gear	Thrust Bearing	Cap
84015	25526	25524	81416	84120
84020	25526	25524	81416	84120
84025	25526	25524	81416	84120
84026	25526	25524	81416	84120

* Packed individually in retail carton.

CAPACITY DEFINITION: The working, or work, capacity is the maximum load that the jack can support for castering and easy lifting of a fully loaded trailer.
The supporting, or support, capacity is the maximum vertical load that the jack can support.

BOLT SWIVEL JACKS SELECTION GUIDE

Part No.	Finish	Work Capacity lbs.	Support Capacity lbs.	Side Wind	A				B		C		D		E		F	
					retracted		extended		in.	mm	in.	mm	in.	mm	in.	mm	in.	mm
					in.	mm	in.	mm	in.	mm	in.	mm	in.	mm	in.	mm		
84015	Zinc plated, bolt on bracket	750	1000	•	7.1	180	18.6	472	16.9	429	6.1	155	1.0	25	6.4	163	6.0	152
84020	Zinc plated, bolt on bracket	750	1000	•	7.1	180	18.6	472	16.9	429	6.1	155	1.0	25	6.4	163	6.0	152
84025	Zinc plated, weld-on bracket	750	1000	•	7.1	180	18.6	472	16.9	429	6.1	155	1.0	25	6.4	163	6.0	152
84026	Paint, weld-on bracket	750	1000	•	7.1	180	18.6	472	16.9	429	6.1	155	1.0	25	6.4	163	6.0	152

OBS

Atwood Implement Swivel Jacks

80518

82332, 82333

80459, 81264, 81353, 82340

82471

80273, 80294, 80452, 80453

81421
Bolt-on bracket fits frames 2" or 3" wide and 3, 4 or 5" deep

80580
Weld-on bracket Fits most frames

80590
Bolt-through bracket

87501
Weld-on bracket fits most frames. Bulk 25 quantity

87502
Bolt-on bracket fits frames 2 or 3" wide and 3, 4, or 5" deep.

NON-REPLACEABLE WELDED FOOT

Large Foot (4 3/4" x 8")

Small Foot (4" x 5 3/8")

80519, 80522, 80523

SUPPORT CAPACITY DEFINITION:
The maximum vertical load that the jack can support.
*If jack is used with caster then the system capacity will be rated at 1,000 lb (the load carrying capacity of the caster).

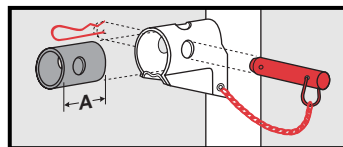
IMPLEMENT SWIVEL JACK SELECTION GUIDE

Part No.	Painted housing, zinc plated ram and foot	Support Capacity lbs.	Top Wind	Side Wind	A				B		C		D		E		F	
					retracted		extended		in.	mm	in.	mm	in.	mm	in.	mm	in.	mm
					in.	mm	in.	mm										
Tubular Swivel Jack																		
80459	Jack only, order bracket 81271	2,000	•		1.3	33	11.3	287	3.8	97	10.4	264	5.8	147	5.3	135	—	—
81264	Jack only, order bracket 81271	2,000	•		3.2	81	18.3	465	14.3	363	11.0	275	5.8	147	5.3	135	—	—
81353	Jack only, order bracket 81271	2,000	•		1.3	33	15.8	401	6.1	155	13.6	345	5.8	147	5.3	135	—	—
82340	Jack only, order bracket 81271	2,000	•		3.2	81	18.3	465	12.2	310	10.0	254	5.8	147	5.3	135	—	—
82332	Jack only, order bracket 81271	2,000		•	0.9	23	10.9	277	4.8	122	10.7	272	6.8	173	6.4	163	1.0	25
82333	Jack only, order bracket 81271	2,000		•	3.1	79	17.3	439	13.3	338	10.9	277	6.8	173	6.4	163	1.0	25
82471	Jack only, order bracket 82500	5,000	•		0.4	10	15.1	384	14.5	368	10.6	269	5.8	147	5.3	135	—	—
Retaining Ring Swivel Jack																		
80522	w/o bracket, Lrg. foot	1,000	•		1.7	43	16.9	429	6.0	152	13.2	335	5.8	147	5.3	135	—	—
80523	w/o bracket, Lrg. foot	1,000	•		1.2	30	11.3	287	3.3	84	10.5	267	5.8	147	5.3	135	—	—
80518	w/ weld-on bracket, Sml. foot	2,000	•		0.9	23	11.0	279	3.4	86	10.7	272	5.8	147	5.3	135	—	—
80519	w/o bracket, Sml. foot	2,000	•		0.9	23	11.0	279	3.4	86	10.7	272	5.8	147	5.3	135	—	—
OBSOLETE																		
80273	Painted w/ zinc ram & foot	1,000	•		11 5/8	296	21 3/4	553	3 3/8	85	6 3/8	162	5 1/2	140	—	—		
80294	Painted w/ zinc ram & foot	1,000	•		14 7/8	379	30	762	6	152	6 3/8	162	5 1/2	140	—	—		
80452	Painted w/ zinc ram & foot	2,000	•		11 5/8	296	21 3/4	553	3 3/8	85	6 3/8	162	5 1/2	140	—	—		
80453	Painted**	2,000	•		11 5/8	296	21 3/4	553	3 3/8	85	6 3/8	162	5 1/2	140	—	—		

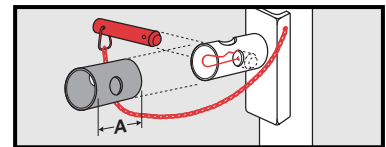
IMPLEMENT SWIVEL JACK REPAIR KITS

Part No.	Handle	Gear	Bearing	Cap	Pin & Chain
80459	82700	x	81416	x	85411
81264	82700	x	81416	x	85411
81353	82700	x	81416	x	85411
82340	82700	x	81416	x	85411
82332	25526	81410	81416	84120	85411
82333	25526	81410	81416	84120	85411
82471	82700	x	81417	x	85719
80522	82700	x	81416	x	x
80523	82700	x	81416	x	x
80518	82700	x	81416	x	x
80519	82700	x	81416	x	x
80273	82700	x	81416	x	x
80294	82700	x	81416	x	x
80452	82700	x	81416	x	x
80453	82700	x	81416	x	x

All Atwood Swivel Jacks must use Atwood Mounting Brackets.



81271 Tubular Mount Bracket Only



82500 Tubular Mount Bracket Only

85411 Pin and Lanyard Kit

86493 Pin and Lanyard Kit

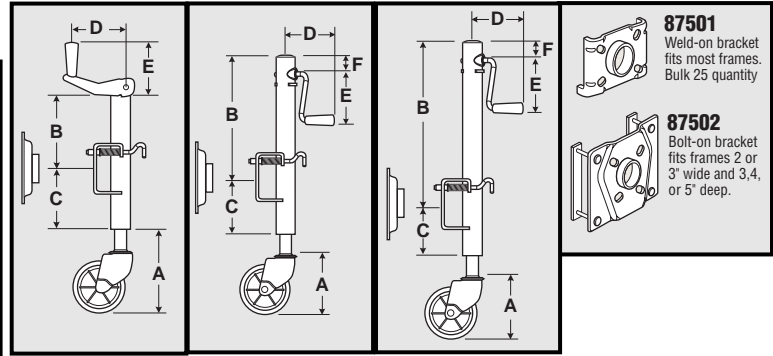
TUBULAR MOUNT BRACKETS

Part No.	Description	A		I.D.		O.D.		PIN SIZE	
		in.	mm	in.	mm	in.	mm	in.	mm
81271	Unpainted, female, weld-on receiver bracket for 2,000 lb. tubular mount jacks	2.5	64	—	—	2	51	.63	16
82500	Unpainted, female, weld-on receiver bracket for 5,000 lb. tubular mount jacks	3.5	89	2.5	64	3	76	.88	22

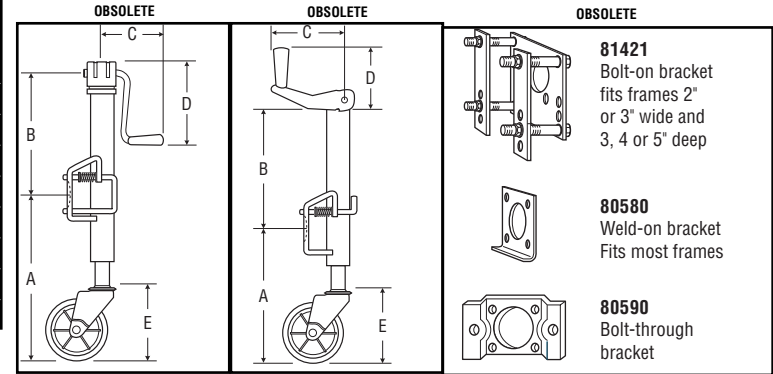
Atwood Retaining Ring Swivel Jacks

RETAINING RING & DOUBLE LOCK PIN SWIVEL JACK REPAIR KITS

Part No.	Handle	Gear	Bearing	Repair	Cap
80041	82700	x	81416	x	x
80042	82700	x	81416	x	x
80043	82700	x	81416	x	x
80149	x	x	x	80454	80457
80132	x	x	x	80454	80455
87535	x	x	x	80454	80457
80179	x	x	x	80465	80456
80124	x	x	x	80465	80456
80057	x	x	x	80465	80456
87761	x	x	x	80455	80456
87743	x	x	x	80455	80456
87690	x	x	x	80455	80456
80302	82700	x	81416	x	x
81413	25526	25524	81418	x	25525
83171	25526	25524	81416	x	84120
84200	25526	25524	81418	x	25525
84205	25526	25524	81416	x	84120
84250	25526	25524	81416	x	84120
84255	25526	25524	81418	x	25525
84290	82700	x	81416	x	x
80373	25526	25524	81418	x	25525



80041*, 80042, 80043 80132, 80149*, 87535, 87690, 87743, 87761* 80124, 80057 80179*



81413, 83171, 84200, 84205, 84250, 84255 80302, 84290

RETAINING RING SWIVEL JACKS WITH CASTER SELECTION GUIDE


Part No.	Description	Work Capacity lbs	Support Capacity lbs.	Top Wind	Side Wind	A				B		C		D		E		F			
						retracted		extended		in.	mm	in.	mm	in.	mm	in.	mm	in.	mm	in.	mm
						in.	mm	in.	mm												
80041	Retail package w/ appropriate bracket	500	800	•		7.4	188	15.9	404	6.1	155	5.3	135	5.8	147	5.3	135	—	—		
80042	Bulk w/ bolt-on bracket	500	800	•		7.4	188	15.9	404	6.1	155	5.3	135	5.8	147	5.3	135	—	—		
80043	Bulk, no bracket	500	800	•		7.4	188	15.9	404	6.1	155	5.3	135	5.8	147	5.3	135	—	—		
80149	Retail package w/ appropriate bracket	500	800		•	7.8	198	18.1	460	8.7	221	5.8	147	6.3	160	6.8	173	1.3	33		
80132	Bulk w/ bolt-on bracket	500	800		•	7.8	198	18.1	460	8.7	221	5.8	147	6.3	160	6.8	173	1.3	33		
87535	Bulk, no bracket	500	800		•	7.8	198	18.1	460	8.7	221	5.8	147	6.3	160	6.8	173	1.3	33		
80179	Retail package w/ appropriate bracket	1,000	1,000		•	7.3	185	21.4	544	17.4	442	4.0	102	6.3	160	6.8	173	1.7	43		
80124	Bulk w/ bolt-on bracket	1,000	1,000		•	7.3	185	21.4	544	17.4	442	4.0	102	6.3	160	6.8	173	1.7	43		
80057	Bulk, no bracket	1,000	1,000		•	7.3	185	21.4	544	17.4	442	4.0	102	6.3	160	6.8	173	1.7	43		
87761	Retail package w/ appropriate bracket	1,000	1,200		•	7.2	183	17	432	11.7	297	5.8	147	6.3	160	6.8	173	1.7	43		
87743	Bulk w/ bolt-on bracket	1,000	1,200		•	7.2	183	17	432	11.7	297	5.8	147	6.3	160	6.8	173	1.7	43		
87690	Bulk, no bracket	1,000	1,200		•	7.2	183	17	432	11.7	297	5.8	147	6.3	160	6.8	173	1.7	43		
80302	Zinc plated, with caster	500	800	•		127/8	327	21 3/8	543	6	152	6 3/8	162	5 1/2	140	6 3/4	172		OBSOLETE		
81413	Zinc plated, w/ caster	500	800		•	127/8	327	23	584	9 5/8	244	6 5/8	168	6 5/8	168	6 3/4	172		OBSOLETE		
83171	Zinc plated, w/ caster	1,000	1,000		•	11 1/4	286	25 3/8	644	15 5/8	398	6 5/8	168	6 5/8	168	6 3/4	172		OBSOLETE		
84200	Zinc plated, w/ caster*	500	800		•	127/8	327	23	584	9 5/8	244	6 5/8	168	6 5/8	168	6 3/4	172		OBSOLETE		
84205	Zinc plated, w/ caster*	1,000	1,000		•	11 1/4	286	25 3/8	644	15 5/8	398	6 5/8	168	6 5/8	168	6 3/4	172		OBSOLETE		
84250	Zinc plated, w/ caster	1,000	1,000		•	11 1/4	286	25 3/8	644	15 5/8	398	6 5/8	168	6 5/8	168	6 3/4	172		OBSOLETE		
84255	Zinc plated, w/ caster	500	800		•	127/8	327	23	584	9 5/8	244	6 5/8	168	6 5/8	168	6 3/4	172		OBSOLETE		
84290	Zinc plated, w/ caster*	500	800	•		127/8	327	21 3/8	543	6	152	6 3/8	162	5 1/2	140	6 3/4	172		OBSOLETE		

Note: All Atwood retaining ring swivel jacks must use Atwood mounting brackets.

CAPACITY DEFINITION: The working, or work, capacity is the maximum load that the jack can support for castering and easy lifting of a fully loaded trailer. The supporting, or support, capacity is the maximum vertical load that the jack can support.

Effective: 7/9/98

Guides are only intended for use on Atwood[®] products by service technicians who have successfully completed Atwood[®] training. This guide should be used in conjunction with the appropriate Instruction Manual provided with the product and any applicable Industry Standards. This is not intended to be a complete list. Please direct questions concerning service of Atwood[®] products to 866-869-3118 before proceeding.

 **WARNING**
PERSONAL INJURY AND/OR PRODUCT DAMAGE

- If any of the following conditions develop, the trailer must not be used until proper corrective action is taken.

CONDITION WITH SOLUTIONS

Handle Turns and Jack Leg Does Not Move
 Stripped bevel gears Replace gears
 Gear pin missing Replace pin
 Stripped acme nut Replace jack

Difficult to Crank

Too much tongue weight Verify weight and determine if adequate rated jack has been used
 Jack mounted at angle Reinstall jack perfectly vertical
 Dry gears Grease gears
 Dirt in gears Clean and grease gears
 Worn ball socket Replace coupler
 Broken teeth on bevel gears Replace gears
 Binding thrust bearing Replace bearing
 Stripped acme nut Replace jack
 Worn worm gear Replace jack
 Bent inner ram Replace jack

Jack Leg Seizes

Stripped acme nut Replace jack
 Stripped worm gear Replace jack
 Obstruction in gears Clean and grease gears
 Bent inner ram Replace jack

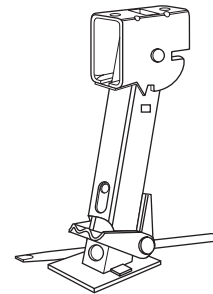
Atwood Stabilizer Jacks

STABILIZER JACK SELECTION GUIDE

Model No.	Part No.	Painted	Work capacity	Support capacity	Retracted		Extended	
					in.	cm	in.	cm
Single Jack—standard	82301	●	650lbs	1,000lbs	11.5	29.21	17.75	45.09
Single Jack—long	82297	●	650lbs	1,000lbs	15.5	39.37	21.75	55.25
Single Jack—standard	82306		650lbs	1,000lbs	11.5	29.21	17.75	45.09
Single Jack—standard	82307*	●	650lbs	1,000lbs	11.5	29.21	17.75	45.09
Set of 2 Jacks	82302	(2) of #82301 and (1) #80480 jack rod						
Set of 2 Jacks	82298	(2) of #82297 and (1) #80480 jack rod						
Jack Rod	80480	Individual Jack Rod						

* with u-bolt and welded bracket

Pull on the leg until the tab disengages from the slot.
 Swing the leg down and snap into position.



Atwood Telescoping Stabilizers

TELESCOPING STABILIZER SELECTION GUIDE

Part No.	Description	Retracted		Extended		Maximum Vertical Load	Weight
		in.	mm	in.	mm		
480920	2" Outer Tube	20	508	26	660	3,000	5
82215	2 1/2" Outer Tube	30	762	45	1143	6,000	14

Weld the outer housing to a structural attachment point on the trailer.





Atwood Mobile Products LLC
 1120 North Main Street • Elkhart, IN 46514
PHONE: 574•264•2131 **FAX:** 574•262•2550
INTERNET: http://www.atwoodmobile.com

Power Jack

TROUBLE SHOOTING GUIDE

Effective: 9/11/06

Guides are only intended for use on Atwood® products by service technicians who have successfully completed Atwood® training. This guide should be used in conjunction with the appropriate Instruction Manual provided with the product and any applicable Industry Standards. This is not intended to be a complete list. Please direct questions concerning service of Atwood® products to 866-869-3118 before proceeding.



WARNING

PERSONAL INJURY AND/OR PRODUCT DAMAGE

- If any of the following conditions develop, the trailer must not be used until proper corrective action is taken.

CONDITION WITH SOLUTIONS

MOTOR WILL NOT OPERATE

- No or low voltage Check battery & electrical connections. Must have minimum of 10 VDC
- Jack flange not making good contact to provide adequate ground with coupler surface Clean paint or dirt from coupler frame
- Blown fuse Replace with 30 amp AWG fuse
- Loose wires on ON/OFF switch Secure wire connections
- ON/OFF switch faulty Replace switch
- Motor faulty Replace motor

POOR GROUND

- WHEN BUTTON IS PRESSED ON JACK -
- Jack doesn't operate Inspect motor mounting bolt for Loctite®. If Loctite® found, replace with new 1/4-20 x 3" screw and two lock washers. If bolt unavailable, clean present bolt and hole with wire buffing wheel. Inspect bolt
- Jack operates only partially up or down
- Jack runs intermittently

hole. If dirty, clean with a 1/4-20 tap.

MOTOR CLUTCH ENGAGES

- Normal if jack leg is at fully retracted or extended position None, but let go of switch when you hear the clutch
- Worn worm gear Replace jack ram
- Dirty inner ram tube Clean ram tube and coat with light coat of silicon spray
- Bent inner ram Replace inner ram
- Clutch faulty Replace motor
- Jack at angle Secure mounting bolts and ensure a support plate is used.
- Excessive tongue weights Determine if jack is adequate for tongue weight.

UTILITY LIGHT DOES NOT WORK

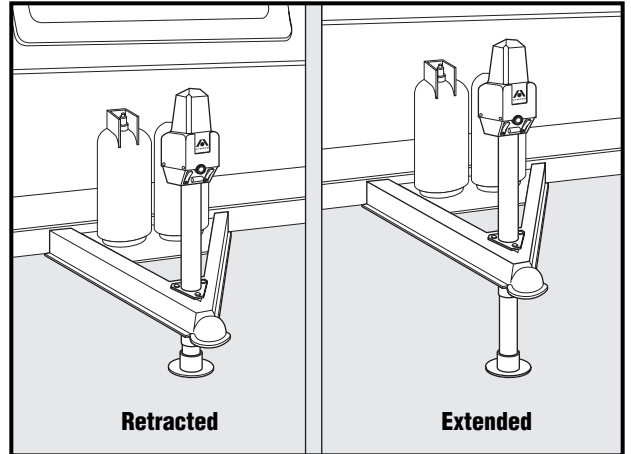
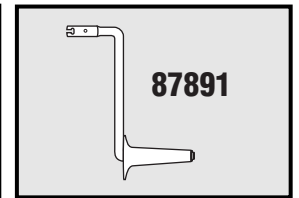
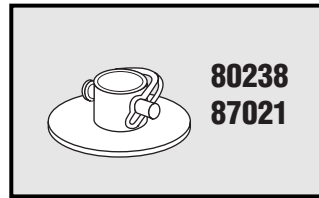
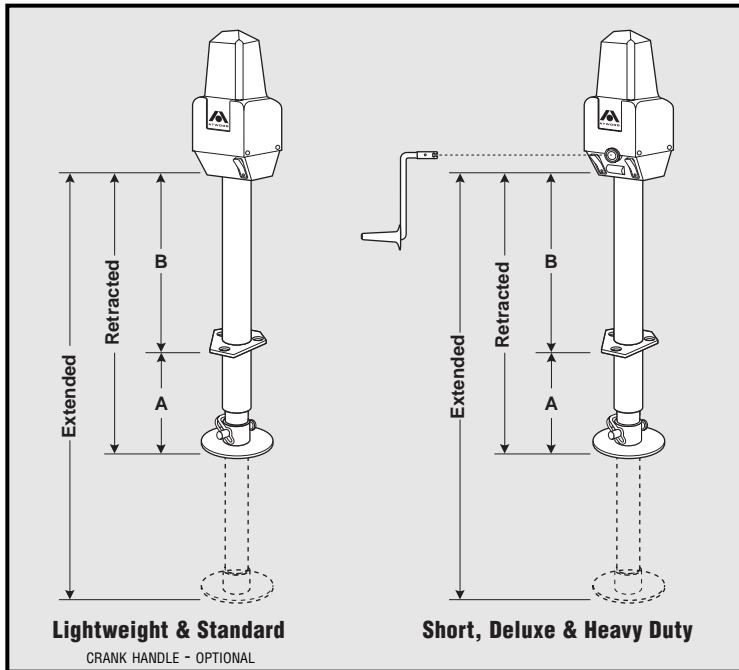
- Loose wires on the ON/OFF switch Secure wire connection
- Bad light bulb Replace bulb

AMP DRAW

- Range of motor 8-45 amps

IMPORTANT CAUTION - If equalizer bars are attached to the tow vehicle and the trailer while operating the power tongue jack, you may experience the motor clutching the moment the jack sees load. This will occur because you are lifting both the tongue of the trailer and the rear of the tow vehicle. The 1500 lb. and 2500 lb. acme screw jacks cannot lift this excessive weight. To overcome this excessive weight, you should upgrade to the 3500 lb. power jack. The ball screw mechanism utilized in this jack should allow you to lift this load.

Atwood Power & Marine Power Jacks

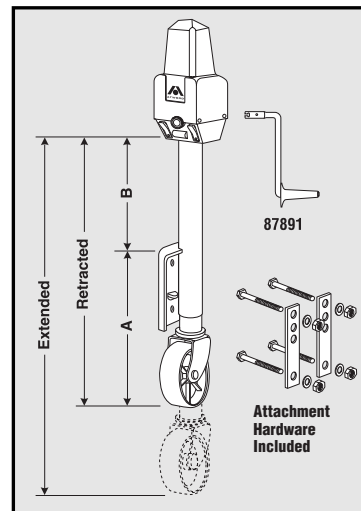


POWER JACK SELECTION GUIDE

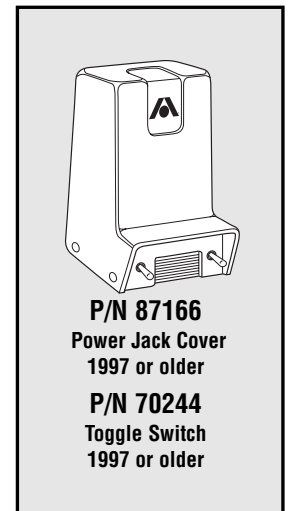
POWER JACK													
Part No.	Description	Rate of Travel	A		B		Retracted		Extended		Capacity		Coupler Ball Size
			in.	mm	in.	mm	in.	mm	in.	mm	lbs.	kg	in.
80236	Lightweight Power Jack	10" per minute	10 1/8	257.2	14 3/4	374.7	24 7/8	631.8	39 1/4	997	1,500	680	2
80511	Standard Power Jack	10" per minute	10 1/8	257.2	14 3/4	374.7	24 7/8	631.8	39 1/4	997	2,500	1134	2 5/16
80515	Deluxe Power Jack	10" per minute	10 1/8	257.2	14 3/4	374.7	24 7/8	631.8	39 1/4	997	2,500	1134	2 5/16
80530	Heavy Duty Power Jack	15" per minute	10 1/8	257.2	14 3/4	374.7	24 7/8	631.8	39 1/4	997	3,500	1588	2 5/16
80509	Short Jack	10" per minute	10	254.0	9 7/8	251.0	19 7/8	505.0	31 5/16	795	2,500	1134	2 5/16
80524	Marine Jack	10" per minute	14 3/4	374.7	10 1/8	257.2	24 7/8	631.8	39 1/4	997	1,000	1134	2 5/16

SHIPPING SPECIFICATIONS—POWER JACKS

Product	Shipping Wt.		Carton Length		Carton Width		Carton Depth	
	lbs.	kg	in.	mm	in.	mm	in.	mm
Lightweight—boxed	27	12.2	37	940	8	203	8	203
Standard Jack—boxed	27	12.2	37	940	8	203	8	203
Deluxe Jack—boxed	27	12.2	37	940	8	203	8	203
Heavy Duty—boxed	29	13.2	37	940	8	203	8	203
Short—boxed	27	12.2	37	940	8	203	8	203
Marine—boxed	30	13.6	37	940	8	203	8	203
Foot	1	.45						
Handle	2	.91						



Marine Power Jack



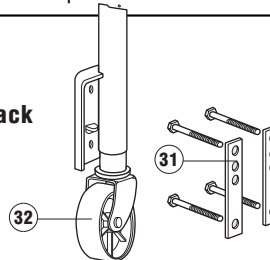
REPLACEMENT SERVICE PARTS / PIÈCES DÉTACHÉES

ITEM ARTICLE	LIGHT WT LÉGER	STANDARD STANDARD	SHORT NORMAL	DELUXE DE LUXE	HEAVY DUTY LOURD	MARINE MARIN	DESCRIPTION DESCRIPTION
1	87571	87571	87595	87595	87595	87595	Upper Cover Couvercle supérieur
2	87060	87060	87057	87057	87057	87057	Cover Screw Vis du couvercle
3	87055	87055	87942	87942	87942	87942	Motor Ground Screw / Vis
4	86111	86111	86111	86111	86111	86111	Lock Washer Rondelle de blocage
5	75367	75367	75625	75625	75625	75625	Motor and Terminals Moteur et bornes
6	N/A	N/A	87916	87916	87916	87916	Cover Tube Tube du couvercle
7	N/A	N/A	87108	87108	87108	87108	Bevel Gear Kit Pignon conique
8	N/A	N/A	88002	88002	88002	88002	Gear Housing Cover Couvercle de la boîte de vitesse
9	N/A	N/A	70298	70298	71132	70298	Drive Pin Goupille d'entraînement
10	N/A	N/A	87941	87941	87941	87941	Drive Shaft Arbre d'entraînement
11	87573	87573	87597	87597	87597	87597	Lower Cover Couvercle inférieur
12	N/A	N/A	87585	87585	87585	87585	Wire & Light Bulb* Ampoule électrique*
13	N/A	N/A	87591	87591	87591	87591	Lens / Lentille
14	87035	87035	87035	87035	87035	87035	Hole Plug Bouchon de l'orifice
15	80237	80512	87489	87500	87559	N/A	Jack Hsing & Ram Assy 16" trvl Enveloppe du vérin et corps du cric à course de 16 po
16	N/A	N/A	87847	87847	87847	87847	Washer Support Support de rondelle
17	70229	70229	70667	70667	70667	70667	Pin / Tige
18	87568	87568	87598	87598	87598	87598	Ground Wire Fil de terre
19	N/A	N/A	87586	87586	87586	87586	Light Switch Commutateur d'éclairage
20	87570	87570	87570	87570	87570	87570	Motor Switch Commutateur du moteur
21	87327	87327	87327	87327	87327	87327	Strain Relief Bushing Bague de bride de cordon
22	N/A	N/A	87599	87599	87599	87599	Jumper Wire & Fuse Fil de connexion et fusible
23	N/A	N/A	N/A	N/A	N/A	N/A	Fuse▲ / Fusibles▲
24	87176	87176	87176	87176	87176	87176	Mounting Bolt / Boulon
25	87891	87891	87891	87891	87891	87891	Manual Drive Handle Manette de commande manuelle
26	70269	70269	70269	70269	N/A	70269	Cotter Pin Goupille fendue
27	80238	87021	87021	87021	87021	--	Round Foot Pad Coupelle ronde
28	87709	87709	87709	87709	70215	87709	Clevis Pin Axe de chape
29	87077	87077	N/A	N/A	NA	N/A	Hex Drive Nut Écrou de commande hexagonal
30	87569	87569	N/A	N/A	N/A	N/A	Fuse Wire Fil du fusible
31						87150	Bracket / Patte
32						84037	Caster / Roue pivotante

*912 type T5 12 candle power
▲Buss Type AGC-30 amp fuse

*912 type T5 12 candelas
▲Buss type AGC-30 à fusible

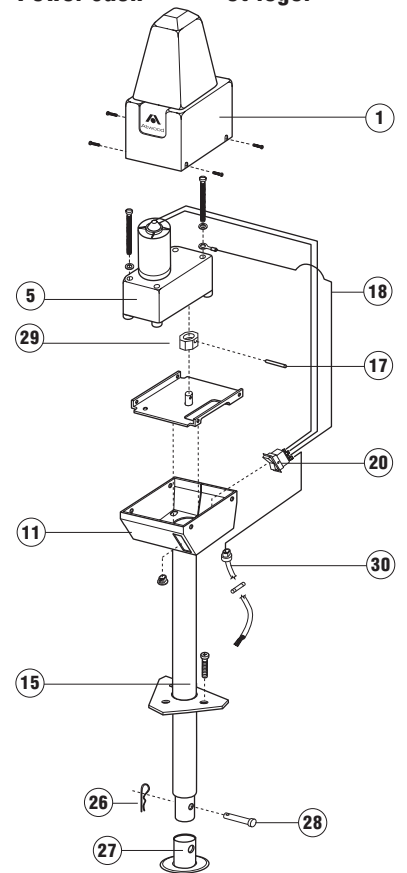
Marine Power Jack



23

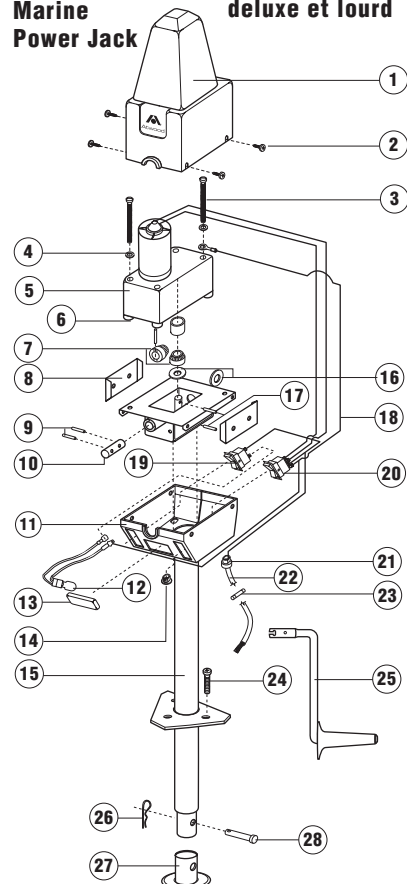
Standard & Lightweight Power Jack

Cric électrique service normal et léger



Short, Deluxe, Heavy Duty & Marine Power Jack

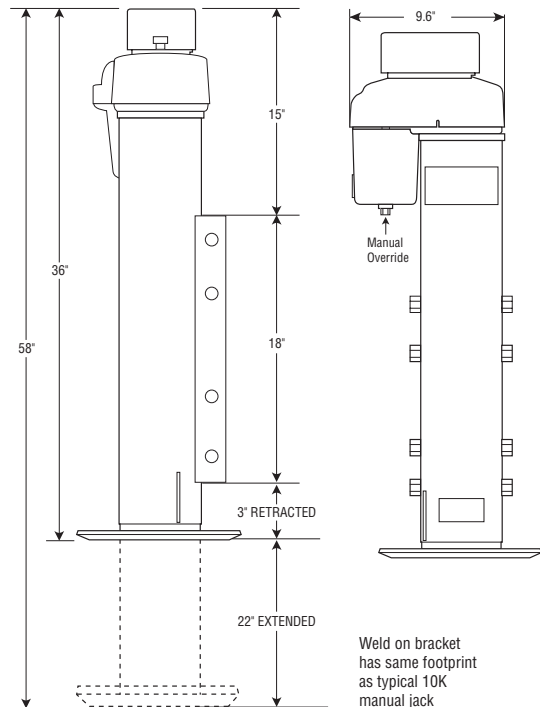
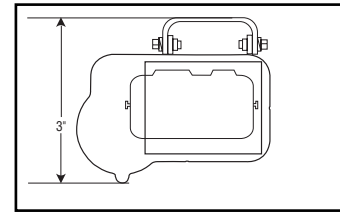
Cric électrique service court, deluxe et lourd



DuraLeg Center Mount Jack

Atwood DuraLeg® Selection Guide

Atwood DuraLeg					
Part Number	Description	Leg Capacity		Leg Weight	
		lbs	Kg	lbs	Kg
66038	DuraLeg, single switched	10,000	4,536	85	39.0
66369	DuraLeg, single 2-speed	10,000	4,536	85	39.0
66370	DuraLeg, dual 2-speed	10,000	4,536	160	72.6



MAINTENANCE

1. Internal part of DuraLeg are permanently lubricated at the factory and do not require any further lubrication.
2. If it is not possible to get DuraLeg to operate freely, replace DuraLeg.
3. At least once each usage season fully extend jacks and clean dirt and grime from outside of inner tube. Coat entire outside of inner tube with silicone spray lubricant. This will protect the finish of the inner tube and provide lubrication between the jack's tubes. Clean dirt and grime from outer housing.
4. Apply a good automotive polish or wax to the outer tube of the jacks to maintain the appearance.

Manual Override

To Manually Extend or Retract jack, use a 1/2" socket on Drive nut on end of motor (fig 12).

Note: It takes 500 revolutions of nut to extend/retract leveler one (1") inch.

TIP:

If the storage battery of the trailer is charged by the tow vehicle; it will improve the performance of the jack under very heavy loads if the tow vehicle wiring harness is connected and the tow vehicle is running. This is not required but may improve the performance in some cases.



WARNING PERSONAL INJURY

- The tow vehicle must be in park and the emergency brake set when making vehicle hook up and operating the jack.



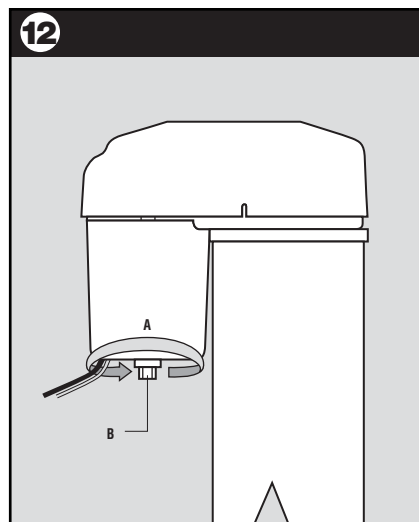
CAUTION PERSONAL INJURY/PRODUCT DAMAGE

- Battery operated drills, 9.6V to 18V, are powerful. Hold drill with both hands to protect your wrist. Keep loose clothing and body parts away from drill as the reaction torque from the drill may cause it to kick back.
- Refer to your drill manufacturer's operation manual.
- Use a battery operated drill/drive to rotate nut counter clockwise (looking from bottom end of nut FIG 12) to extend jack.

SYSTEM PROTECTION FEATURES:

Low Voltage Protection

Low Battery indicator lights indicates voltage drop below 10.5 volts. Charge battery or connect trailer to tow vehicle. Turn system off then back on to clear low battery. If system "times out" and shuts off automatically, just turning it back on will clear low battery indicator.



For complete DuraLeg operating instructions please see Literature Number MPD 66199

Remote Control Electric Ball Screw Camper Jacks

TROUBLE SHOOTING GUIDE

Effective: 9/11/06

Guides are only intended for use on Atwood® products by service technicians who have successfully completed Atwood® training. This guide should be used in conjunction with the appropriate Instruction Manual provided with the product and any applicable Industry Standards. This is not intended to be a complete list. Please direct questions concerning service of Atwood® products to 866-869-3118 before proceeding.



WARNING

PERSONAL INJURY AND/OR PRODUCT DAMAGE

- If any of the following conditions develop, the trailer must not be used until proper corrective action is taken.

CONDITION WITH SOLUTIONS

REMOTE WORKS INTERMITTENTLY

- Low voltage Recharge the camper battery.
- Antennae out of alignment Straighten the antennae. Arrange so they are perpendicular to the sides of the relay module.
- Small energy drains Turn appliances and electronic equipment off, not just in sleep mode.
- Interference from other RF devices Move other radio frequency devices such as cell phones, key fobs, or TV remote control, away from the camper. These can interfere with the proper operation of the remote control system.
- Weak signal Walk around outside the camper, while operating the remote, to determine the best position for operation.

LIGHT ON ACTIVATION SWITCH DOES NOT TURN OFF

- Relay module operation Turn on the activation switch. Now turn it off. If the light does not go out, replace the relay module.

ONE OR MORE JACKS DO NOT OPERATE

- Jack cord not plugged in Verify that each jack cord is securely plugged into the outside of the camper.
- Wiring Check wiring between relay module and jack are correct & wires are not crossed.

- Low voltage Using a digital voltmeter, verify there is at least 12 volts present and the polarity changes between “extend” and “retract”.
- Module operation If there is no output voltage, replace the relay module. Check operation of electric jack and its wiring before connecting it to the new relay module - shorted jack will damage the relay module if connected and turned on.
- Shorted wiring or jack If there is voltage on the output of the relay module, the problem is in the wiring or the electric jack.

NOTHING HAPPENS

- Remote control battery dead Replace the 9V battery in the hand held remote control.
- Unmatched dip switch settings Compare the dip switch settings on the relay module to those of the hand held remote control. If different, make them the same settings.
- Relay module operation Replace the relay module and see if the system operates.
- Remote control operation Replace the remote control and see if the system operates.
- Cable Obtain a known good cable from another Atwood remote control system and install the cable between the relay module and the activation switch.

NOTHING HAPPENS WHEN I PRESS “ALL JACKS”, BUT I HEAR A CLICKING SOUND

- Low voltage Recharge the camper battery.
- Battery connections Check the battery connections.

ONE OR MORE JACKS, BUT NOT ALL, CANNOT BE CONTROLLED BY THE HAND HELD REMOTE

- Crossed wires Verify that the output wiring is correct.
- Jack operation Verify, using the hand crank, that the electric jacks work properly.
- Module operation If the two above are correct, replace the relay module.

AMP DRAW

- No load Do not exceed 8 amps while extending or retracting jacks.
- With load Less than 25 amp draw to lift 2,200 lbs at 12 VDC.

Atwood Truck Camper Jacks

Truck Camper Jack Selection Guide

Model	Part No.	Pure (Arctic) White	New White	8' or shorter campers (1500 lbs. or less)	campers exceeding 8' length	Color	Application
REMOTE CONTROL JACKS (set of four (4) jacks only)							
Electric Ball Screw	80491	●		●	●		
Electric Ball Screw	80492		●	●	●		
Heavy Duty Ball Screw	80411		●	●	●		
Heavy Duty Ball Screw	80417	●		●	●		
JACKS (set of four (4) jacks only)							
Electric Ball Screw	80488	●		●	●		
Electric Ball Screw	80489		●	●	●		
Heavy Duty Ball Screw	80412	●		●	●		
Manual Ball Screw	84371	●		●	●		
Manual Ball Screw	84376		●	●	●		
Acme Screw	84241		●	●	●		
Acme Screw	84246	●		●	●		
HARDWARE/BRACKET KITS for wide front, narrow rear with lower clamps for rear jacks							
Electric Ball Screw	85930		●	●	●		
Electric Ball Screw	85964	●		●	●		
Manual Ball Screw	85925		●	●	●		
Manual Ball Screw	85927	●		●	●		
Acme Screw	85966		●	●	●		
Acme Screw	85967	●		●	●		
HARDWARE/BRACKET KITS for wide front, wide rear with lower clamps							
Electric Ball Screw	85981		●	●	●		
Electric Ball Screw	85983	●		●	●		
Remote Electric	85984	●		●	●		
Remote Electric	85985		●	●	●		
Manual Ball Screw	85979		●	●	●		
Manual Ball Screw	85982	●		●	●		
HARDWARE/BRACKET KITS for wide front, wide rear without lower clamps							
Acme Screw	85969		●	●	●		
Acme Screw	85970	●		●	●		
HARDWARE/BRACKET KITS for narrow front, narrow rear with lower clamps							
Electric Ball Screw	85972	●		●	●		
Manual Ball Screw	85974	●		●	●		
SWING-OUT KITS for use with dual-wheel pick-ups							
All Pickup Jacks	85428		●				
All Pickup Jacks	85473	●					
RETROFIT KITS (Zinc plated ONLY) Retrofits onto existing Atwood jacks							
Electric Ball Screw	87357						
Remote Electric	87329						
REPLACEMENT PARTS - REMOTE CONTROL & ELECTRIC CMPR JCK							
Wireless Remote Control Kit	85441						
Handheld Wireless Remote	85442						
14' Phone Cable	85453						
Relay Controller	85439						
Activation Switch	85440						
Male Plug-Electric Cmpr Jck	87034						

Wireless Remote Control Kit—85441

The Remote Control Kit consists of the micro-processor unit with antennae, activation wall switch, cable connecting the unit to the wall switch, and handheld remote control.



Obsolete Wired Remote kits - 85449, 85451, 85444

No replacement parts available.

Must replace complete control kit with MPD 85441.

TO ORDER JACKS, KITS AND REPLACEMENT PARTS -

1. DETERMINE TYPE OF JACK

Hand Cranked Acme Manual Ball Screw
Electric Switched Remote Control

SEE SELECTION GUIDE ON LEFT

2. COLOR CHOICE New White or Pure White

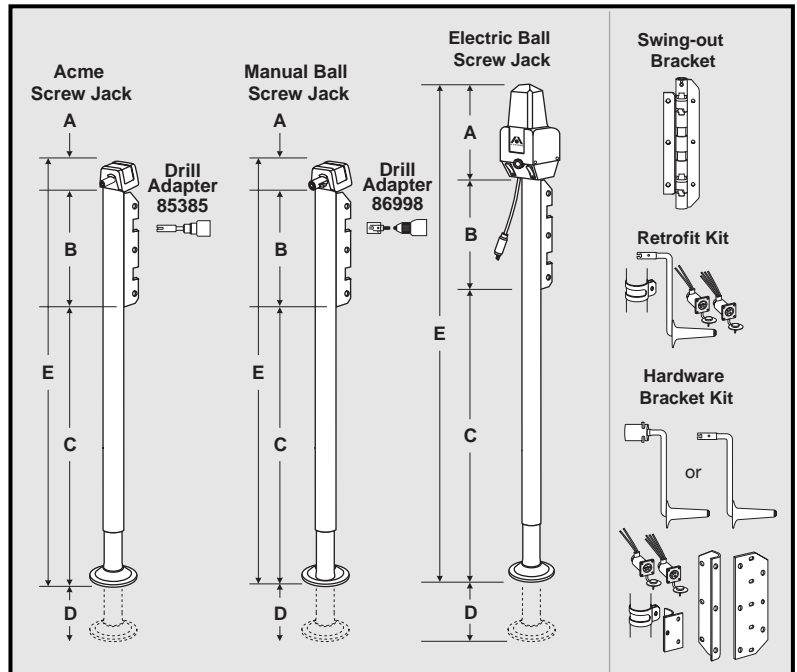
3. REMOTE CONTROL Order kit separately

4. BRACKET KITS Wide Front / Wide Rear

GVWR < 1500 lbs. (ONLY) Order Narrow Fronts / Narrow Rears
Interference in the camper rear

(generator or water heater compartment) .. Order Wide Fronts / Narrow Rears

Truck with Dual Rear Wheels Order Swingout Bracket Kits



Dimensions

Model	A		B		C		D		E	
	in.	mm	in.	mm	in.	mm	in.	mm	in.	mm
Electric	11	279	13	330	32	813	33.5	851	56	1422
Manual	3	76	13	330	32	813	33.5	851	48	1219
Acme	3	76	13	330	32.5	826	27.5	699	48.5	1232

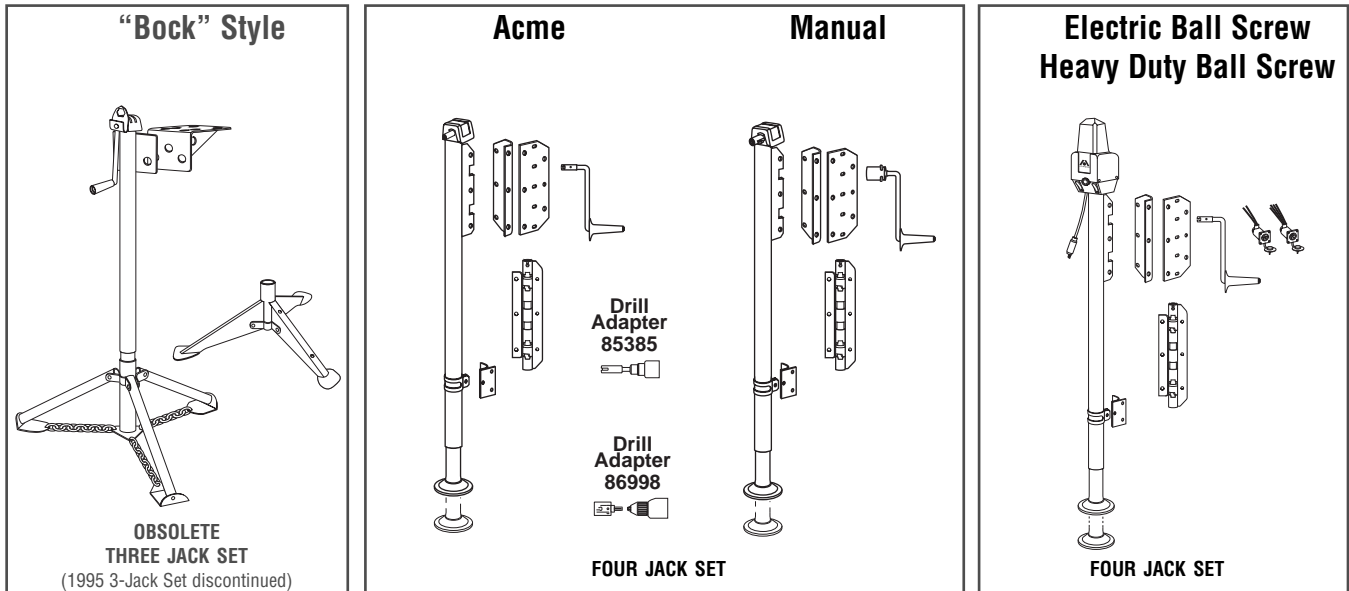
* Includes mounting brackets as specified, required bolts, washers and nuts, handle, wiring receptacles and installation/operation instructions.

Hardware/Bracket Kits (required) include mounting brackets, required bolts, washers and nuts, handle and installation/operation instructions, plus wire receptacles for the Electric Ball Screw Jack.

The Swing-Out Kit, to accommodate dual-wheel pick-ups, must be used in conjunction with a Hardware/Bracket Kit.

Retrofit Kit includes lower zinc clamp, wiring receptacles, required bolts, washers and nuts, handle and installation/operation instructions.

TRUCK CAMPER JACKS



SPECIFICATIONS	BOCK (OBS)			BALL SCREW*		ELECTRIC*			
	LIGHT-WT	STANDARD	HEAVY	ACME	MANUAL	REGULAR		REMOTE CONTROL	
						REGULAR	HEAVY DUTY	REGULAR	HEAVY DUTY
Max. Camper Weight (lbs)				2,250 (4)	3,900 (4)	3,900 (4)	5,000 (4)	3,900 (4)	5,000 (4)
Individual Jack Rating (lbs)	1000	1000	2000	1,250	2,200	2,200	2,800	2,000	2,800
Tripod	Stamped	Chained	Chained						
Drill Adapter				85385	86998				
Travel (extension in inches)	22	22	22	27.5	29.5	29.5	29.5	29.5	29.5
Bevel Gear Teeth	15 & 15	15 & 15	12 & 16	15 & 15	15 & 15	12 & 16	12 & 16	12 & 16	12 & 16
* Individual jack may see up to 60% of camper weight N/N = Narrow Narrow USE ONLY IF GVWR<1500 LBS. WF/NR = Wide Front Narrow Rear						MOTOR AMP DRAW Single leg, no load 7 amps Single leg, X <2000 lbs 19 amps All legs, 2500 lbs 40 amps			

Shipping Specifications

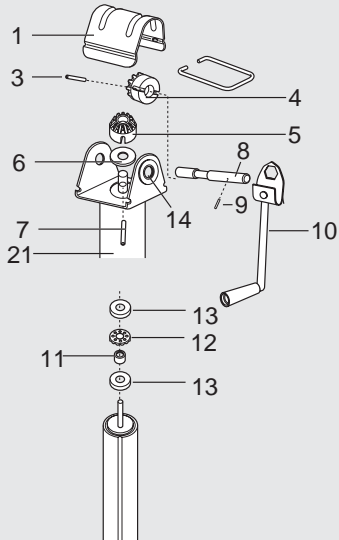
Product	Shipping Wt.		Carton Length		Carton Width		Carton Depth	
	lbs.	kg	in.	cm	in.	cm	in.	cm
Remote Control (set of 4)	145	65.8	62	157.5	32	81.3	8	20.3
Electric Jack (set of 4)	145	65.8	62	157.5	32	81.3	8	20.3
Manual Jack (set of 4)	108	49.1	55	139.7	18	45.7	8	20.3
Acme Jack (set of 4)	78	35.5	54	137.2	16	40.6	8	20.3
Hardware/bracket kits	20	9.1	22	55.9	12	30.5	3	7.6
Swing-out kits	15	6.8	15	38.1	8	20.3	3	7.6
Wireless Remote kit	2							

INDIVIDUALLY BOXED Truck Camper Jacks

ELECTRICAL	SHIPPING WEIGHT	Switched Pure white	Switched New White	Switched Colonial White	Heavy Duty Switched Pure White	Remote Pure White	Remote New White	Heavy Duty Remote Pure White	Heavy Duty Remote New White
Set of 4	145 lbs	80488	80489	80487 - OBS	80412	80491	80492	80417	80411
Driver Front	37 lbs	80470	80466	80461 - OBS	80440	80473	80469	80443	80444
Passenger Front	37 lbs	80471	80467	80462 - OBS	80442	80471	80467	80442	80445
Driver Rear	37 lbs	80472	80468	80463 - OBS	80441	80471	80467	80442	80445
Passenger Rear	37 lbs	80473	80469	80464 - OBS	80443	80473	80469	80443	80444

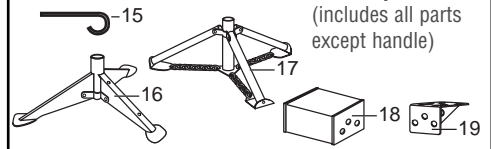
MANUAL	SHIPPING WEIGHT	Ball Screw Pure white	Ball Screw New White	Ball Screw Colonial White	Acme Pure White	Acme New White	Acme Colonial White	SHIPPING WEIGHT
Set of 4	108 lbs	84371	84376	84351 - OBS	84246	84241	84298 - OBS	78 lbs
Driver Front	27 lbs	81443	81439	81435 - OBS	81456	81452	81488 - OBS	20 lbs
Passenger Front	27 lbs	81444	81440	81436 - OBS	81455	81451	81447 - OBS	20 lbs
Driver Rear	27 lbs	81445	81441	81437 - OBS	81458	81454	81450 - OBS	20 lbs
Passenger Rear	27 lbs	81446	81442	81438 - OBS	81457	81453	81449 - OBS	20 lbs

OBSOLETE - "BOCK" STYLE CAMPER JACK - REPLACEMENT PARTS

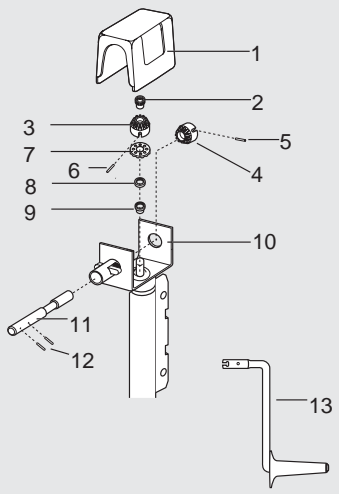


ITEM #	LIGHT & STANDARD	HEAVY DUTY	DESCRIPTION
1	25525	84120	Cover Kit COVER
3, 7	25524	81480	Bevel Gear Kit GEAR PINS
4, 5			BEVEL GEARS
6	23721		Thrust Washer
8	87189	87193	Shaft
9	71132	71132	Crank Pin
10	87258	87258	Crank
11		25503	Felt Washer
12		25504	Bearing
13	25500	25500	Thrust Washer
14	21693	21693	Bushing
15	87258	87257	Carrier Ring
16	87272		Tripod-stamped
17	87264	87283	Tripod-chained.

ITEM #	LIGHT & STANDARD	HEAVY DUTY	DESCRIPTION
18	87318	87318	Dual Wheel Jack Ext. Brkt. Kit (2 brackets + hrdwr)
19	87293	87293	Mounting Bracket- Standard
N/S	87281	87281	Mounting Bracket Hardware Kit BOLT 5/8" x 1" BRACKET NUT 5/8"
N/S	81071	81020	Inner & Outer Ram Assembly (includes all parts except handle)



ACME & MANUAL BALL SCREW JACK - REPLACEMENT PARTS

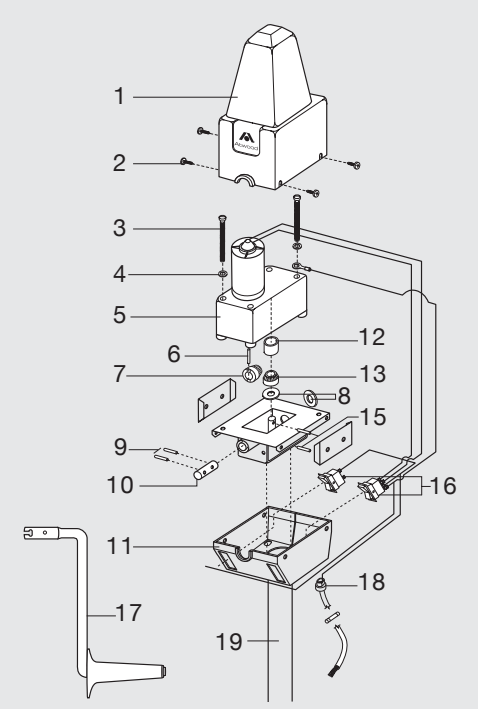


ITEM #	ACME	MANUAL BALL SCREW	DESCRIPTION
1	85171	85171	Cover-pure white
3,4,5,6	85172	85172	Cover-new white
		85387	Bevel Gear Kit (2 gears, 2 pins)
2		87853	Knurled Nut
3	85706		Bevel Gear
4	71138		Bevel Gear
5	71132		Gear Pin
6	70229		Gear Pin
7	25504	25504	Thrust Bearing

ITEM #	ACME	MANUAL BALL SCREW	DESCRIPTION
8	87846	87846	Spacer
9	70224	70224	Bushing, nylon
10	21693	21693	Bushings
11	87378	87232	Drive Shaft
12	70298	70298	Drive Pin
13	87891	87030	Handle
BELOW	85385	86998	Drill Adapter
N/S	86470		Bearing



ELECTRIC & HEAVY DUTY BALL SCREW JACK - REPLACEMENT PARTS



ITEM #	PART #	DESCRIPTION UPPER COVERS
1	87595	New White
	87663	Pure White
2	87057	Cover Screws
3	87942	Screw
4	86111	Lock Washer
5	75625	Motor
6,7, & 13,15	87108	Bevel Gear Kit (2 gears, 2 pins)
16	87570	Motor Switch
8	87847	Washer
N/S	87912	Nylon Bushing
9	70298	Driver Pin
10	87941	Drive Shaft

ITEM #	PART #	DESCRIPTION LOWER COVERS
11	87594	New White FRONT DS
	87684	New White FRONT PS
	87665	Pure White FRONT DS
	87682	Pure White FRONT PS
12	87916	Cover Tube
17	87891	Handle
18	87326	Strain Relief Bushing

Standard Jack only-Lower Assembly for Electric
(NOT AVAILABLE FOR HEAVY DUTY)

19	80460	Pure White
19	80449	New White

IN 1994 THE MOUNTING SYSTEM CHANGED -
The ring mounting with a one piece bracket
changed to a strap mounting with two brackets.

NOTE: DS = Driver Side
PS = Passenger Side



Atwood Mobile Products LLC
 1120 North Main Street • Elkhart, IN 46514
 PHONE: 574•264•2131 FAX: 574•262•2550
 INTERNET: http://www.atwoodmobile.com

LITERATURE NUMBER MPD 87904

SWING OUT BRACKET

ENGLISH

•Installation •Operation •Maintenance

Effective 10/26/04

Use with Atwood Acme and Ball Screw Truck Camper Jacks when additional width between the two front jacks is required to clear the fenders on dual wheel trucks. Due to the variety of camper sizes and truck trims, please verify that these swingout brackets provide enough clearance for driver comfort during loading and unloading.

For complete Acme and Ball Screw truck camper instructions consult MPD 87903.

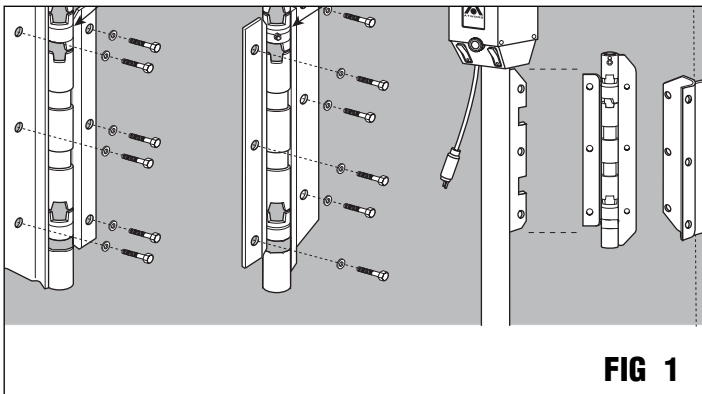


FIG 1

MPD 85428 - New White

MPD 85473 - Pure White

Swing Out Bracket Kit contains -

- 1 Driver Side brkt. Note the single grooved bushings (FIG 1-A).
- 1 Passenger Side brkt. Note the double grooved bushings (FIG 1-B).
- 6 Nuts and bolts
- 12 Washers

INSTALLATION

1. The end with the 1/4" thru-bolt must be at the top of the bracket during installation (FIG 2-A).
2. The angle bracket welded to the bushing with the thru-bolt attaches to the bracket already on the camper corner (FIG 1-C / 2-B).
3. Use three-3/8" x 1-1/2" long Grade 5 bolts and washers to attach each bracket. Torque bolts to between 15-20 ft. lbs (FIG 1-D).

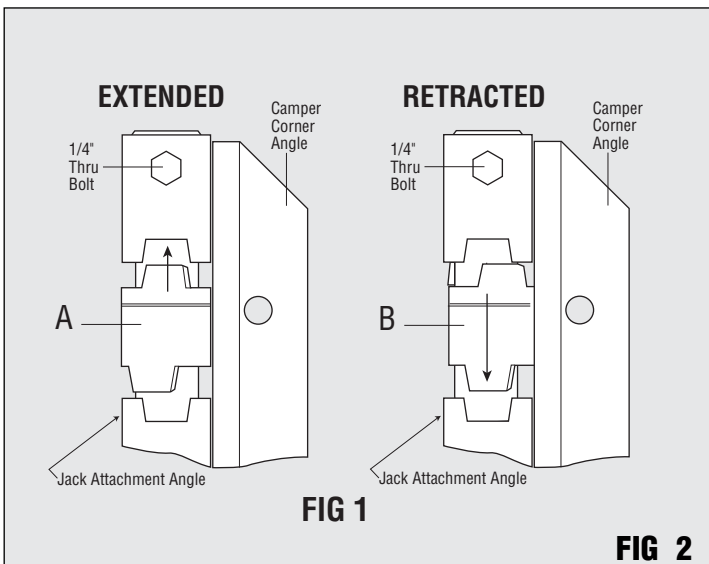


FIG 1

FIG 2

⚠ WARNING

PERSONAL INJURY & PRODUCT DAMAGE

- Position swing out brackets properly. In the **Extended Position** - 90° outward to the side of camper (FIG 3-A) and in the **Retracted Position** - 60° inward to the side of camper (FIG 3-B).
- Jack bracket must be in retracted position when traveling on roadway (FIG 3-B).

OPERATION

Extended Position -

1. Lift jack and swing outward from camper body to clear truck's dual wheel fenders. When jack is in the extended position, be sure the bracket attached to the jack (FIG 2-D) rides up into the notch in the camper corner angle bracket attached to the camper (FIG 2-D). This must be done visually prior to loading jack.

Retracted Position -

2. After the jack is retracted, lift the jack and rotate it forward (inward) so when released, the bracket attached to the jack rides down into the notch in the camper corner angle (FIG 2-E).

MAINTENANCE

1. Spray entire bracket with silicon spray lubricant at least once each camping season. Wipe off excess.

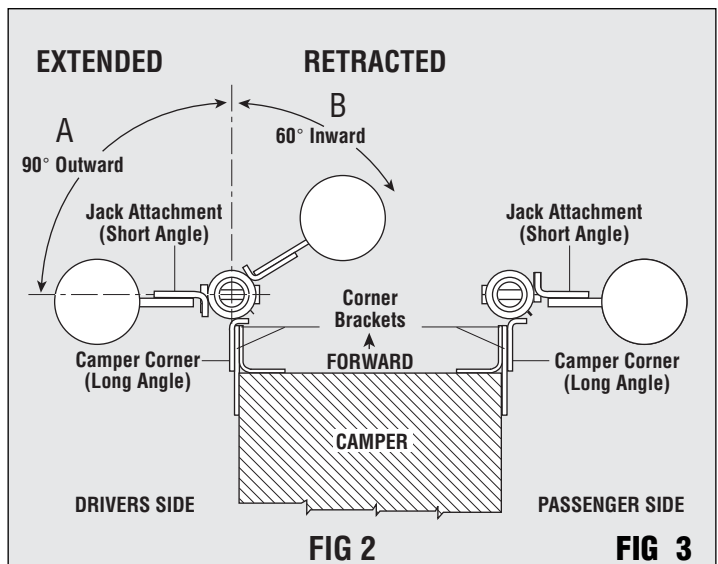
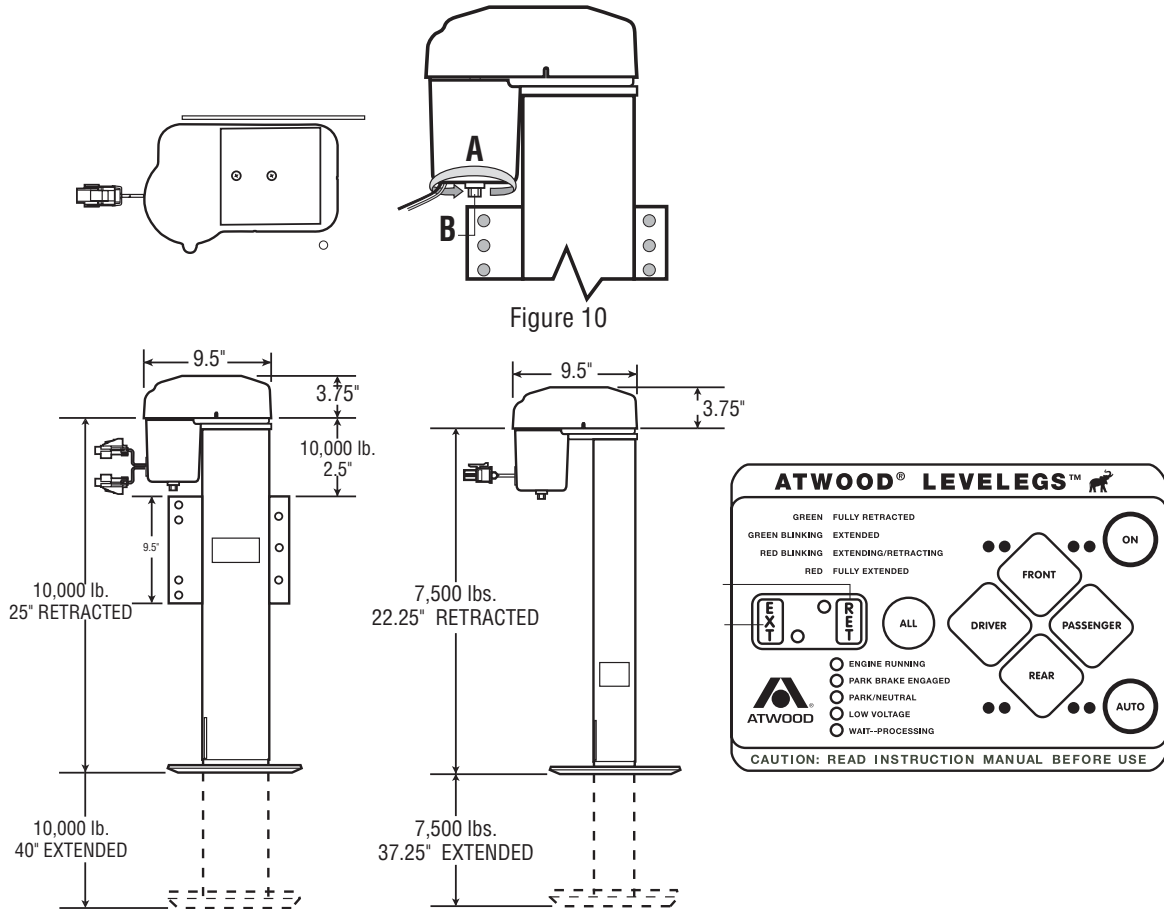


FIG 2

FIG 3

Atwood Levellegs®




Atwood Levellegs Selection Guide

Atwood Levellegs					
Part Number	Description	Capacity		Weight	
		lbs	Kg	lbs	Kg
66302	7.5K 13" travel	7,500	3,409	32	14
66280	7.5K 15" travel	7,500	3,409	34	15
66375	10K 13" travel	10,000			
66070	10K 15" travel	10,000		54	25
Control Kits					
66276	Workhorse® Auto Position				
66272	Ford® Auto Position				
66387	5th Wheel - Auto Position				
85480	5th Wheel - 4 motor remote control				

CONTROL PAD LED INDICATORS

The control pad LED's indicate the following when illuminated:

DESCRIPTION	COLOR
Vehicle Engine running (ignition switch is in the ON position) (MOTORHOME ONLY)	green
Park Brake engaged (MOTORHOME ONLY)	green
Park engaged (MOTORHOME ONLY)	green
Low Voltage (less than 13 VDC present at controller)	red
ON/OFF (referencing power to control box)	green
Extend/Retract Mode	green
Leveler positions	
Fully Retracted	solid green
Extended	green blinking
Extending/Retracting	red blinking
Fully Extended	solid red

 Atwood Atwood Mobile Products LLC 1120 North Main Street • Elkhart, IN 46514 PHONE: 574-264-2131 FAX: 574-262-2550 INTERNET: http://www.atwoodmobile.com	LITERATURE NUMBER MPD 66346
	LEVELEGS™ SYSTEM
	MANUALLY DUMP THE AIR BAGS
	Effective 9/15/05

For Atwood® LEVELEGS™ SYSTEM

Atwood Levelers™ Levelers are intended for use on recreation vehicle motorhomes and trailers.

TO MANUALLY DUMP THE AIR BAGS

- a. Engine must be running.
- b. Transmission must be OUT of Park/Neutral.
- c. Parking brake must NOT be engaged.
- d. Atwood Levelers keypad is NOT on. Lights inside the ON switch are not lit.
- e. Press the FRONT + REAR + ALL buttons to dump air from air bags. (Note: Air dump feature does need to be enabled for this feature to work.)
- f. Air bags dump in approximately 20 seconds and air bags refill 60 seconds from the start of the air dump.

For complete LEVELEGS™ SYSTEM instructions consult MPD 66166.



Atwood Mobile Products LLC
 1120 North Main Street • Elkhart, IN 46514
 PHONE: 574•264•2131 FAX: 574•262•2550
 INTERNET: <http://www.atwoodmobile.com>

LEVELGS™ SYSTEM

TROUBLE SHOOTING GUIDE

Effective: 1/22/07

Guides are only intended for use on Atwood® products by service technicians who have successfully completed Atwood® training. This guide should be used in conjunction with the appropriate Instruction Manual provided with the product and any applicable Industry Standards. This is not intended to be a complete list. Please direct questions concerning service of Atwood® products to 866-869-3118 before proceeding.



WARNING PERSONAL INJURY AND/OR PRODUCT DAMAGE

- If any of the following conditions develop, the RV must not be used until proper corrective action is taken.

CAUSE WITH SOLUTIONS

SCROLLING LIGHTS ON KEYPAD

- Communication between keypad and control board lost.
 Check wiring between keypad and control board.

JACK CONTINUES TO CLUTCH AND WILL NOT TURN OFF

- Short jack extension followed by jack retraction.
 Put system in error mode by disconnecting one jack from power and pressing RET and ALL. Reconnect jack to power. Manually extend individual jacks for 10 seconds by holding down the EXT key and the two jack keys that make up the camper corner of that jack. Listen to insure all jacks move when manually activated. Press RET and ALL to retract all jacks.

RED AND GREEN LIGHTS COME ON FOR A SPECIFIC JACK LOCATION

- Loss of power to jack
 1. Manually extend individual jack by holding down the EXT key and the two jack keys that make up the camper corner of that jack. Listen to insure all jacks move when manually activated. Press RET and ALL to retract all jacks.
 2. If jacks do not move, inspect wiring at jacks and at control board to insure proper connection.

KEY PAD WILL NOT TURN ON

- No power to key pad
 1. Insure vehicle engine is running, transmission is in 'PARK' and park brake is set.
 2. Check wiring between keypad and control board.

JACKS WILL NOT MOVE

- No power to jacks
 1. Insure vehicle engine is running, transmission is in park and park brake is set.
 2. If emergency stop was activated by pressing any keypad button, press 'RET' and 'ALL' to reset legs.

AUTO POSITION DOES NOT LEVEL THE COACH

- The last position in memory was not level. Leveler System always returns to position in memory.
 1. The control board must be mounted horizontally, on a solid fixed surface and can not be more than 10 degrees out of level.
 2. Manually set coach to desired position and program position into memory, following the steps in the IOM.

PANEL LIGHTS BLINK "ON" AND "OFF"

- An Auto Position is not set
 Set the Auto Position, referring to the IOM.

TRANSMISSION LIGHT WILL NOT COME ON

- Chassis wiring fuse problem.
 Check fuse on chassis fuse box.

The following error modes are built into your system to detect problems.

FALSE RET (FULL RETRACTION) ERROR MODE

- For extensions greater than 20 seconds, if the retraction time for any leveler is less than the extension time (indicating premature clutching prior to full retraction), the following occurs:

1. Warning alarm will sound.
 2. Power is removed from the control box disabling normal operations. (This is done to encourage operator to do a visual inspection of levelers prior to further leveling operations.)
 3. The red and green LED's for the particular leveler will blink on and off to indicate the system is in an error mode.
- To proceed,
 1. Press "ON". This will shut the warning alarm off.
 2. Visually inspect the leveler.
 3. If it is required, activate levelers to correct problem.
 Simultaneously press the EXTEND or RETRACT mode switch along with the adjacent two (2) leveler switches common to the lit LED's. In error mode, any leveler can be activated in this manner.
 4. Complete an ALL RETRACT operation and system is now out of error mode and ready for normal operations.

NO CURRENT ERROR MODE

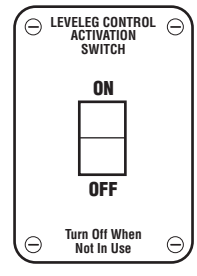
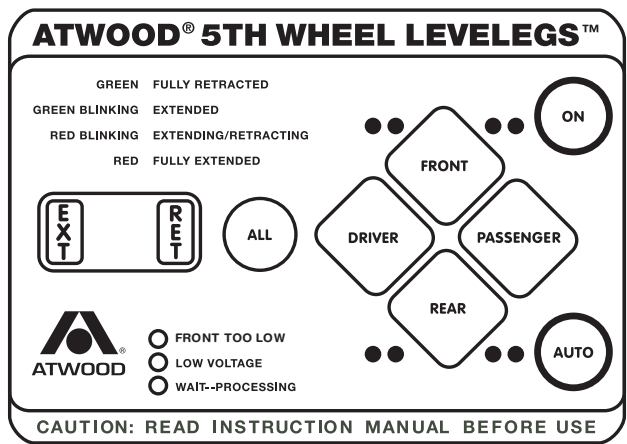
- During any operation if no current is detected from leveler after leveler is activated, the following occurs:
 1. Warning alarm will sound.
 2. Power is removed from the control box disabling normal operations.
 3. The red and green LED's for that leveler will blink on and off to indicate the system is in an error mode.
- To proceed,
 1. Press "ON". This will shut the warning alarm off.
 2. Simultaneously hold down all four direction buttons and the "All" button. This resets the timers so controls will detect the next clutch.
 3. Press "RET" and "ALL" buttons. The system is now out of error mode and ready for normal operations.
 If step 3 does not fix the problem, individual levelers can be retracted by simultaneously pressing the "RET" button and the adjacent two (2) leveler buttons common to the leveler requiring retraction.

LEVELER CONTINUES TO "CLUTCH"

- To proceed,
 1. Press "ON". This will shut the warning alarm off.
 2. Simultaneously hold down all four direction buttons and the "All" button. This resets the timers so controls will detect the next clutch.
 3. Press "RET" and "ALL" buttons. The system is now out of error mode and ready for normal operations.

TROUBLE SHOOT SEQUENCE

1. Disconnect power to one jack by unplugging jack quick connect at jack motor.
2. Turn power on at keyboard.
3. Press "RET" and "ALL" buttons together to put system in error.
4. The buzzer should sound on the keypad and the jack lights should be blinking red and green.
5. Turn keypad off by pressing the ON button.
6. Reconnect power to disconnected jack.
7. Turn keypad on by pressing ON button.
8. Hold down the EXT button and the DRIVER and REAR buttons together for 10 seconds to run the passenger rear jack down.
9. Hold down the EXT button and the PASS and REAR buttons together for 10 seconds to run the passenger rear jack down.
10. Hold down the EXT button and the DRIVER and FRONT buttons together for 10 seconds to run the passenger front jack down.
11. Hold down the EXT button and the PASS and FRONT buttons together for 10 seconds to run the passenger front jack down.
12. Visually inspect to see that all jacks moved and went down a few inches.
13. Press release the RET and ALL buttons together to bring the jacks up.
14. All jacks will come up to full retraction and stop after a few clutches of the motor.



10/9/06 MPD 70335	
ATWOOD® 5TH WHEEL LEVELERS	
Unhooking From Tow Vehicle and Leveling RV	
1. Park on solid ground without obstructions. Chock wheel and warn persons to stand clear of RV.	
2. Do not extend slideouts until RV is leveled.	
3. Switch Activation Switch ON.	
4. Turn on Key Pad	ON
5. Auto extend Landing Gear (Front Legs)	EXT/ALL/FRONT
6. Set preferred King Pin height for unhooking hitch	EXT/FRONT RET/FRONT
7. Detach Tow Vehicle from RV and move to safe distance.	
8. Auto extend rear levelers and level RV.	AUTO
9. Once RV is level, turn unit off and Activation Switch OFF.	ON
Hooking Up To Tow Vehicle Retraction of Levelers	
1. Retract slide rooms and warn all persons to stand clear of RV	
2. Switch Activation Switch ON.	
3. Turn on Key Pad	ON
4. Auto retract the rear levelers	RET/ALL/REAR
5. Set King Pin height (per hitch mfg.'s recommendations) for proper hitch connection	EXT/FRONT RET/FRONT
6. Position tow vehicle, connect hitch and connect trailer wiring harness	
7. Auto retract Landing Gear (front legs) once safely hitched.	RET/ALL FRONT
8. Turn unit off and Activation Switch OFF	ON
9. Remove chocks from wheels before towing.	
CAUTION: READ INSTRUCTION MANUAL 66385 BEFORE USE	

SYSTEM PROTECTION FEATURES

Automatic Retract

- Anytime the engine is on, if the vehicle brake is depressed and transmission is taken out of park, the levelers will fully retract automatically.
- During auto retraction, an alarm will sound and all LEDs will blink on and off.

Nine Cycle Maximum

- The controls will shut off for 15 minutes any time nine (9) full retractions occur in less than 30 minutes.
- When this occurs, all four system status lights blink off and on.
- This sequence can be over ruled by turning the ignition off, then back on.

Low Voltage Protection

- If the voltage falls below 10.5 VDC, leveler operation will cease and the low voltage LED will flash.
- Controls will be inoperable until battery voltage climbs above 13 VDC, at which time leveling functions will resume.

Manual Override

- To Manually Extend or Retract Leveler, use a 1/2" socket on Drive Nut on end of motor (FIG 10-A).

Rotate nut counter clockwise (looking from bottom end of nut [FIG 10-B]) to extend leveler.

NOTE: It takes 500 revolutions of nut to extend/retract leveler 1".

CAUTION

PERSONAL INJURY/PRODUCT DAMAGE

- Battery operated drills, 9.6V to 18V, are powerful. Hold drill with both hands to protect your wrist. Keep loose clothing and body parts away from drill as the reaction torque from the drill may cause it to kick back.
- Refer to your drill manufacturer's operation manual.
- Do not over extend or over retract levelers. Each leveler has built in stops. Excessive force applied against the stops will cause damage.
- When manually overriding the leveler do not use pneumatic tools to operate any leveler. They can over-extend or over-retract the leveler.
- If the motor will not extend/retract the leveler and the motor is making a ratcheting sound (clutch slipping), do not use the manual override. Immediately contact an Atwood Service Center and have leveler replaced. Do not use the leveler until replaced.

EMERGENCY STOP ANY LEVELER ACTIVITY

PRESS ANY BUTTON ON KEY PAD

5th Wheel Landing Gear Selection Guide

Landing Gear includes handle.

LANDING GEAR										
P/N	P/N Boxed*	Description	Screw Type	Leg Capacity		System Capacity		Version		Rate of Travel
				lbs.	kg.	lbs.	kg.	Electric	Manual	Approximate
75384	75333	Heavy-duty*	Acme	3,000	1364	6,000	2727		●	4.0 in/min
75399		2 Motor Heavy Duty	Acme	3,000	1364	6,000	2727	●		4.0 in/min
75326	75362	Super-Duty*	Ball Screw	4,000	1818	8,000	3636	●		6.2 in/min
75331		Direct Drive, 2 MOTOR, INLINE	Ball Screw	4,000	1818	8,000	3636	●		6.2 in/min

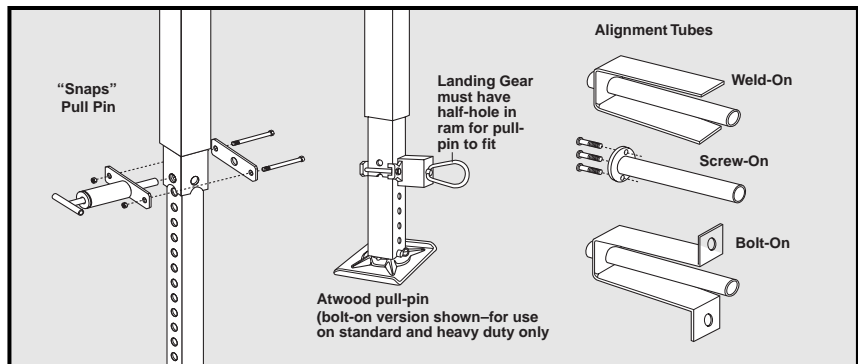
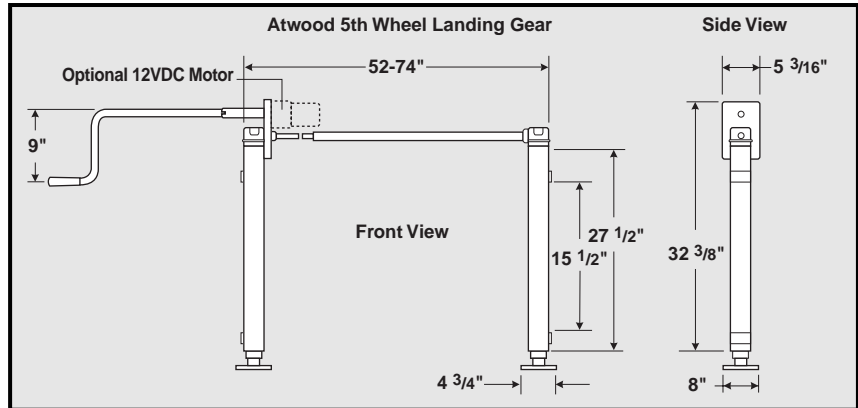
* Shipped without a motor. If (1) motor is needed, order 75391. If (2) motors are needed, order 75366

LEG CAPACITY DEFINITION: The leg capacity is the maximum vertical load the leg can support.
SYSTEM CAPACITY DEFINITION: The system capacity is the maximum vertical load both legs and motor (if included) can support.

Accessories

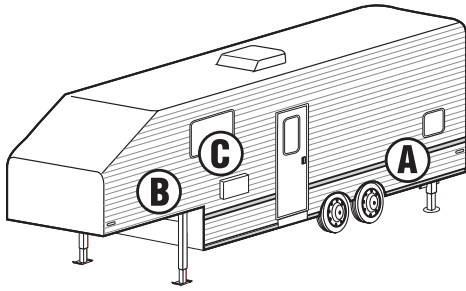
MOTORS	
Composite	Description
75391*	Single Motor Kit w/regular switch panel
75366	Two Motor Kit w/87701 Dual Motor Switch Panel
75367	Single Motor Kit no switch
75388	Single Motor Replacement Kit for Super Duty
75387	Single Motor Kit w/teeny switch panel
75406	6000 lb Motor and Switch
70334	Single Motor Kit - Direct Drive
HANDLE	
70920	Handle, One-piece 18"
70983	Handle, One-piece 26"
OPTIONAL PULL PIN	
70045	"Snaps" pull-pin, pair, bolt-on for use only with Super Duty legs
75360	Bolt-on, pair of pull-pins
ALIGNMENT TUBES	
75521	Alignment Tube, 21 3/4", screw-on
75529	Alignment Tube, 17 1/2", screw-on
75522	Alignment Tube, 2", screw-on
70542	Alignment Tube, 9 1/2", weld-on
70557	Alignment Tube, 7 1/2", bolt-on for use w/composite gear box
SWITCH PANEL	
87701	Switch Panel for 2 motor sets
GEAR BOX REPLACEMENT KIT	
70177	Service Kit for Heavy Duty
70180	Service Kit for Standard Duty

* UL Listed Marine Ignition Protected



CAPACITY		
DO NOT EXCEED THESE CAPACITIES		
Standard Duty - OBSOLETE		
Manual ▼	1,000 lbs. per leg,	2,000 lbs. system
Manual ▼▼	2,000 lbs. per leg,	4,000 lbs. system
Electric ⚡	2,000 lbs. per leg,	4,000 lbs. system
Heavy-Duty		
Manual ▼▼	3,000 lbs. per leg,	6,000 lbs. system
Electric ⚡	2,500 lbs. per leg,	5,000 lbs. system
Electric ⚡⚡	3,000 lbs. per leg,	6,000 lbs. system
Super-Duty		
Electric ⚡⚡	4,000 lbs. per leg,	8,000 lbs. system
Direct Drive		
Electric ⚡⚡	4,000 lbs. per leg,	8,000 lbs. system
▼ without gear box	⚡ single motor	
▼▼ with gear box	⚡⚡ dual motor	

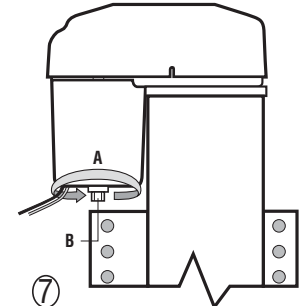
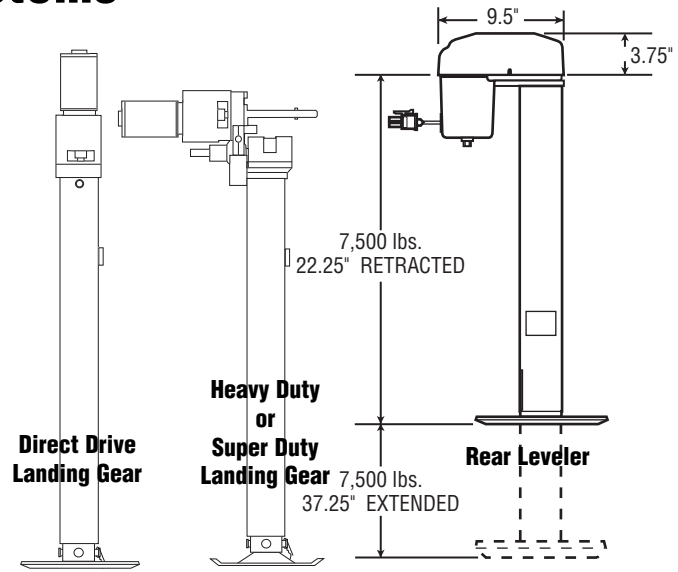
Atwood 5th Wheel Leveling Systems



Selection Guide

Part Number	Description	Leg Capacity		System Capacity	
		lbs	Kg	lbs	Kg
ATWOOD LEVELLEGS (individual)					
66302	7.5K Levelleg	7,500	3,410	15,000	6,820
LANDING GEAR (sets of 2)					
75399	2 Motor H.D. Ldg. Gear	3,000	1,364	6,000	2727
75326	2 Motor Super Duty	4,000	1,818	8,000	3636
75331	2 Motor Direct Drive, Inline	4,000	1,818	8,000	3636
CONTROLLERS					
87701	Dual Switch Panel	Controls Front Only			
85476	Remote Control - 2 Motor	Controls Front Only			
85480	Remote Control - 4 Motor	Controls All Four Legs			

A
B
C



MAINTENANCE

- Before use, inspect drop tube and inner ram tube. Replace if bent or damaged.
 - ONCE EACH YEAR:**
 - Extend landing legs as far as possible, clean drop tube and inner ram tube. Coat exposed surface of tubes with silicone spray lubricant.
 - Coat inside of handle alignment tube with silicone spray lubricant.
 - Oil shaft bushing in gear box and leg gear heads with SAE 30 oil.
 - Lubricate gears in gear box and landing leg gear heads with extreme pressure grease.
 - For Electric Drive Motor Landing Legs, twice each year, check wiring connections at battery. Clean terminals with a solution of baking soda and water. Cover with a thin coat of grease.
- NOTE: Electric Drive Motor is lubricated at factory and requires no further lubrication.
- The Electric Drive Motor Landing Leg system is protected by a 30 amp fuse. If replacement is necessary, replace only with a Buss Type AGC-30 fuse or equivalent, available in automotive supply stores.
 - The 3:1 gear box is not repairable. Do not take it apart. If you have a problem with the gear box, replace it.

TROUBLESHOOTING

If all or any of the jacks or landing legs fail to operate:

- Check whether the 12VDC battery is fully charged. You may need to recharge it.
- Check that the camper jack cords are securely plugged into the exterior sockets. You may need to pull a plug out and replug it.
- If the motor will not extend/retract the jack and the motor is making a ratcheting sound (clutch slipping), do not use the manual override. Immediately contact an Atwood Service Center and have jack replaced. Do not use the jack until replaced.
- Assure the activation switch is turned on. The LED on the switch pad should be lit.

- Hold the hand-held remote vertically with the keypad facing you and have the remote between you and the camper.
- Check that you are within 20 feet of the camper.
- Replace the 9V battery
- Check that the battery terminals are clean and have no corrosion.
- Be sure the dip switch code for the remote and the power relay module are set for the same code.
- Look to see if other radio frequency devices such as an automobile key fob, cellular phone, TV remote control, are operating within range of your remote. These devices will make the jacks pause. Lift your finger from the button on the remote and re-press the button.

If the jacks keep running, push the activation switch and the light on the switch will go out. This will shut the power off to the jacks. If not, unplug the jack(s) from its (their) exterior socket(s).

Rear Leveler Operation

- To Manually Extend or Retract Leveler, use a 1/2" socket on Drive Nut on end of motor (FIG 7-A). Rotate nut counter clockwise (looking from bottom end of nut [FIG 7-B]) to extend leveler.
- NOTE: It takes 500 revolutions of nut to extend/retract leveler 1".

⚠ CAUTION

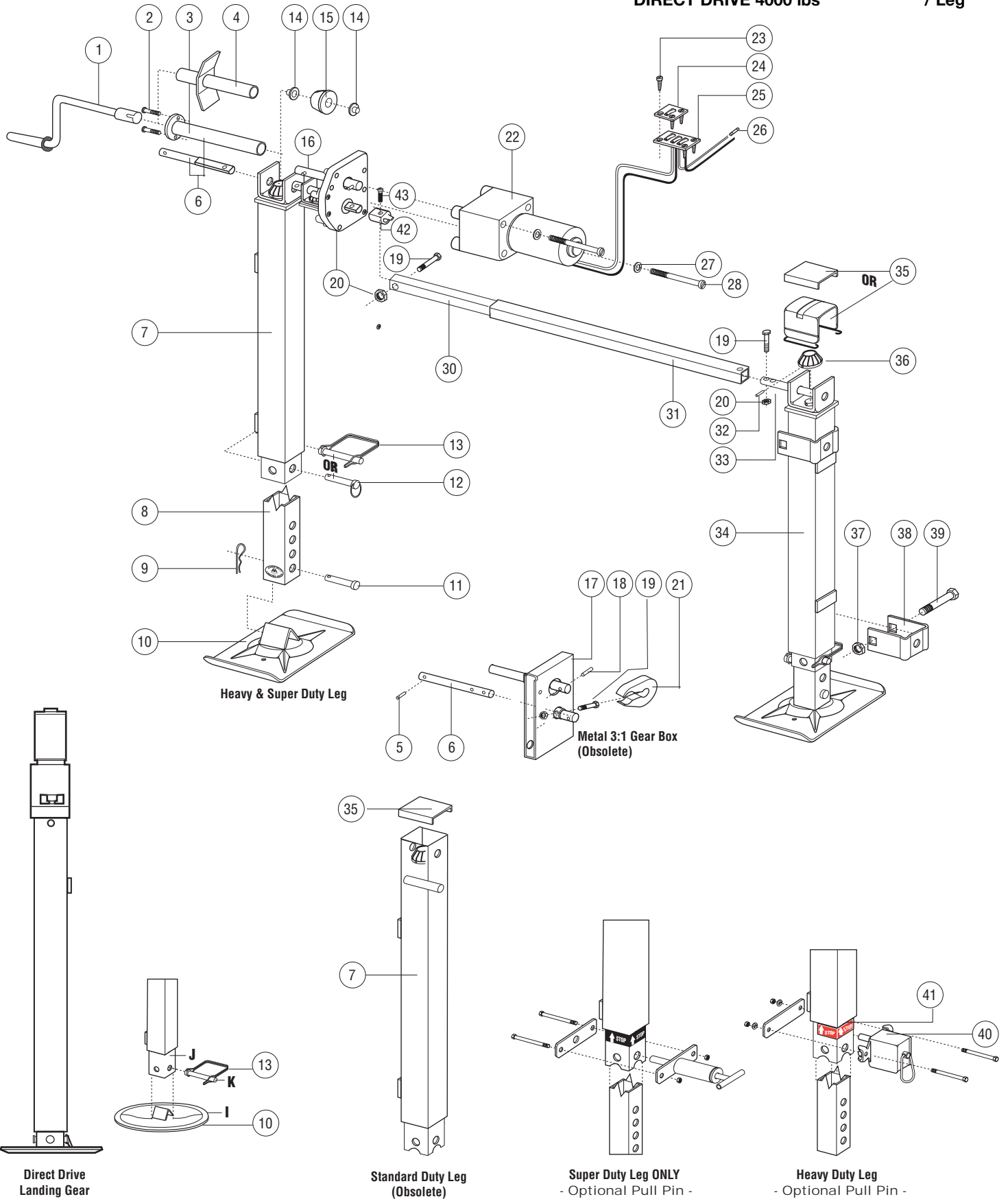
PERSONAL INJURY/PRODUCT DAMAGE

- Battery operated drills, 9.6V to 18V, are powerful. Hold drill with both hands to protect your wrist. Keep loose clothing and body parts away from drill as the reaction torque from the drill may cause it to kick back.
- Refer to your drill manufacturer's operation manual.

For complete operating instructions of Landing Legs and Rear Levelers, please see literature numbers MPD 71125 and MPD 87920.

5th Wheel Landing Legs

STANDARD DUTY 2000 lbs / Landing Leg
 HEAVY DUTY 3000 lbs / Landing Leg
 SUPER DUTY 4000 lbs / Landing Leg
 DIRECT DRIVE 4000 lbs / Leg



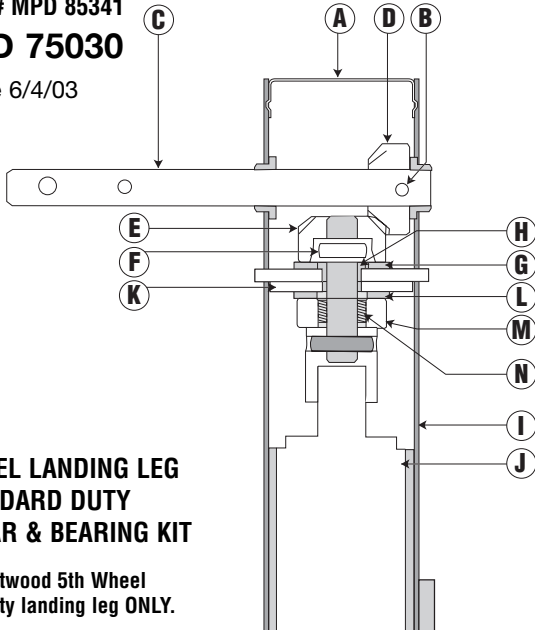
PART IDENTIFICATION

ITEM	PART NUMBERS				DESCRIPTION
	STANDARD	HEAVY	SUPER	DIRECT	
				87891	Crank Handle / Manivelle
1	70920	70920	70920	N/A	Crank Handle Assembly / Manivelle, 41 cm
	70983	70983	70983	N/A	Crank Handle Assembly / Manivelle, 58 cm
2	70328	70328	70328	70328	Sheet Metal Screw / Vis à tôle
3	75521	75521	75521	75521	Alignment Tube, 21-3/4" / Tube d'alignement, 55cm
	75529	75529	75529	75529	Alignment Tube, 17-1/2" / Tube d'alignement, 44.5cm
4	70542	70542	70542	70542	Alignment Tube, 9-1/2" / Tube d'alignement, 24 cm
	70557	70557	70557	70557	Alignment Tube, 7-1/2" / Tube d'alignement, 19 cm
5	71132	70229	70229	N/A	Gear Drive Pin / Broche d'entraînement de réducteur
6	75062	75061	75061	87941	Driver D-Shaft - new / Arbre primaire - NOUVEAU
6	70105	70757	70757	N/A	Driver Shaft - old / Arbre primaire - ANCIEN
7	*71486	*71488	71470	71528	Driver Leg, 15-1/2" between mtg. stops - new Béquille primaire, 39,4 cm entre butées de montage - NOUVEAU
7	*71424	*71417	71435	N/A	Driver Leg, 15-1/2" between mtg. stops - old Béquille primaire, 39,4 cm entre butées de montage - ANCIEN
8	70004	70004	70216	N/A	Drop Tube / Tube télescopique
9	70269	70269	70269	N/A	Bridge Pin / Goupille
10	70008	70008	70008	70271	Foot Pad / Patin
11	70325	70325	70325	N/A	Clevis Pin / Broche à épaulement
12	N/S	N/S	70215	N/A	Ball Detent Pin / Broche à bille
13	87186	87186	N/S	87186	Lock Pin / Broche de verrouillage
14	21693	21693	21693	N/A	Bushing / Coussinet
15/36	75030	75029	N/A	75029	Bevel Gear Kit/ Pignon de renvoi
16	70754	70754	70754	N/A	Crank Shaft / Arbre d'entraînement (OBSOLETE)
17	71320	71320	71320	N/A	Metal 3:1 Gear Box / Réducteur 3/1 métal
	75054	75054	75054	N/A	Plastic 3:1 Gear Box / Réducteur 3/1 plastique
18	70358	70358	70358	N/A	Motor Drive Pin / Broche d'entraînement moteur
19	70815	70815	70815	N/A	Screw, 1/4"x1.28" / Vis, 1/4" x 4,2 cm
20	70816	70816	70816	N/A	Lock Nut, 1/4" / Écrou-frein, 1/4"
21	71436	71436	71436	N/A	Gear Box Hub Cover for metal 3:1 gear box only Couvercle de moyeu de réducteur – réducteur métal 3/1 seulement
22	75367	75367	75367	70334	Motor Assembly / Moteur complet
23	70243	70243	70243	70243	Sheet Metal Screw / Vis à tôle
24	70254	70254	70254	70254	Switch DPDT / Commutateur bipolaire bidirectionnel
	70259	70259	70259	70259	Small Switch DPDT/Petit commutateur bipolaire bidirectionnel
	70266	70266	70266	70266	Ignition Protected Switch DPDT /Commutateur bipolaire bidirectionnel antidéflagrant
25	87701	87701	87701	87701	Three Switch Panel / Panneau à trois commutateurs
26	N/A	N/A	N/A	N/A	Fuse, 30 amp / Fusible 30 A, Buss-type ACC
27	86111	86111	86111	86111	Lock Washer / Rondelle-frein
28	70246	70246	70246	87942	Bolt, Motor Mounting 1/4" x 3-1/2" / Boulon de fixation moteur, 1/4" x 9 cm
30	70840	70840	N/A	N/A	Cross Shaft End tube, 3/4" sq. / Embout d'arbre creux intermédiaire, carré 19 mm
31	70841	70841	N/A	N/A	Cross Shaft Tube, 1" sq. / Arbre creux intermédiaire, carré 25 mm
32	70667	70666	70666	N/A	Machine Pin / Broche mécanique
33	71139	70817	N/A	N/A	Driven Shaft / Arbre secondaire
34	71425	*71415	N/A	N/A	Driven Leg, 15-1/2" between mtg. stops Béquille secondaire, 39,4 cm entre butées de montage
35	71145	71416	71416	88002	Gear Case Cover / Couvercle de réducteur
37	24527	24527	24527	24527	Lock Nut / Écrou-frein
38	70284	70284	70284	70284	Mounting Bracket / Étrier de fixation
39	70329	70329	70329	70329	Mounting Bracket Bolt / Vis d'étrier de fixation
40	N/A	75360	70045	N/A	Pull Pin OPTIONAL / Broche de traction
41	70220	70220	70220	N/A	STOP Label / Étiquette STOP
42	75059	75059	75059	N/A	Collar / collier
43	75045	75045	75045	N/A	Screw / Vis
N/S	86997	86997	86997	85385	Drill Adapter / Adaptateur pour perceuse
N/S	70180	70177	N/A	N/A	Service Kit - includes 3:1 Gear Box and Drive Shaft

- The manual Standard and Heavy Duty landing legs include the cross shaft. Order the optional motor kit, #75391, to convert them to electric jacks.
- For independently operated legs, the Heavy Duty can be ordered in a two-motor version.
- N/A Not available
- * These part numbers vary on non-standard sets. When ordering replacement parts, know the overall length and dimension between mounting stops if any.
- Les béquilles manuelles « Service Normal » et « Service lourd » comprennent un arbre intermédiaire. Commander le kit de moteur en option n° 75391 pour les convertir en béquilles électriques.
- Il est possible de commander les béquilles pour « Service lourd » en version à deux moteurs pour commander chaque béquille indépendamment.
- N/A Non disponible
- * Ces numéros de pièce sont différents sur les ensembles non standard. Pour commander des pièces de rechange, veiller à connaître la longueur totale et la distance entre les butées de fixation, le cas échéant.

LITERATURE # MPD 85341
KIT MPD 75030

Effective 6/4/03



**5TH WHEEL LANDING LEG
 STANDARD DUTY
 BEVEL GEAR & BEARING KIT**

Use on Atwood 5th Wheel
 Standard Duty landing leg ONLY.

Remove 5th Wheel Landing Leg per instruction manual MPD 71125 and camper manufacturer instructions.

1. Remove Jack Cover (A).
2. Punch out Drive Pin (B).
3. Remove Drive Shaft (C), Bevel Gears (D) & (E), Machine Pin (F), Spacer Washer (G) and Nylon Brushing (H).
4. Lift Outer Housing (I) from Inner Ram (J).

5. From the top of the Inner Ram, remove Spreader Washer (K), Spacer Washer (L), Thrust Bearing (M) and Felt Sleeve (N).

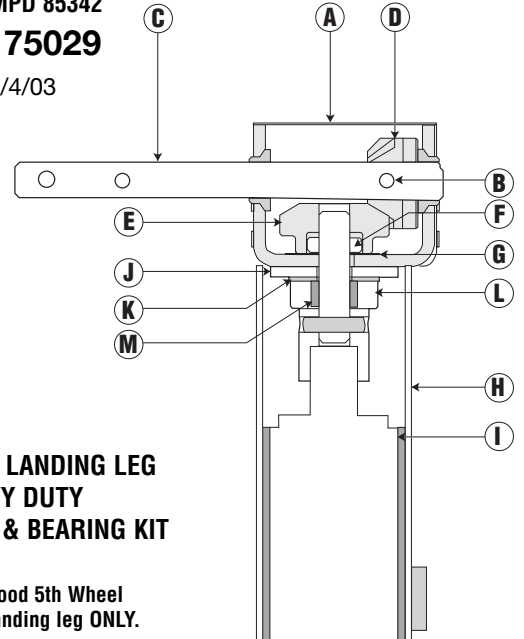
6. Reassemble jack with the new components (B,D-H, K-N) following steps opposite to the disassembly steps.

Install 5th Wheel Landing Leg per Instruction Manual MPD 71125 and camper manufacturer instructions.

For complete 5th Wheel Landing Leg instructions, consult MPD 71125.

LITERATURE # MPD 85342
KIT MPD 75029

Effective 6/4/03



**5TH WHEEL LANDING LEG
 HEAVY DUTY
 BEVEL GEAR & BEARING KIT**

Use on Atwood 5th Wheel
 Heavy Duty landing leg ONLY.

Remove 5th Wheel Landing Leg per Instruction Manual MPD 71125 and camper manufacturer instructions.

1. Remove Jack Cover (A).
2. Punch out Drive Pin (B).
3. Remove Drive Shaft (C), Bevel Gears (D) & (E), Machine Pin (F) and Thrust Washer (G).
4. Lift Outer Housing (H) from Inner Ram (I).

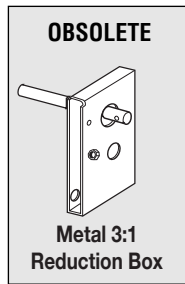
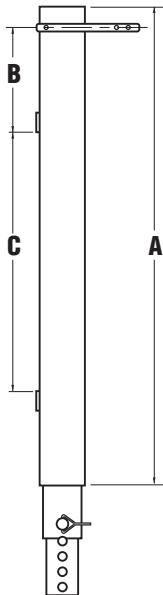
5. From the top of the Inner Ram, remove Cap (J), Support Washer (K), Thrust Bearing (L) and Felt Sleeve (M).

6. Reassemble jack with the new components (items B,D-G, J-M) following steps opposite to the disassembly steps.

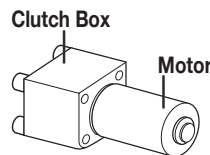
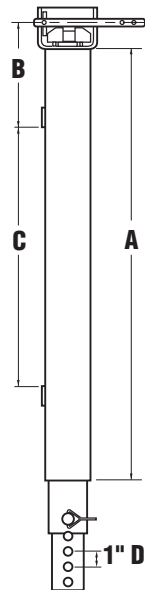
Install 5th Wheel Landing Leg per Instruction Manual MPD 71125 and camper manufacturer instructions.

For complete 5th Wheel Landing Leg instructions, consult MPD 71125.

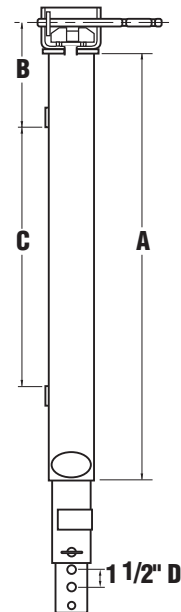
STANDARD DUTY (15/15) (OBS)



HEAVY DUTY (12/16)



SUPER DUTY (12/16)



1. Are the legs driven manually, with a single motor, or dual motors?
2. Is the motor gear box black plastic or gray metal?
3. If the legs are driven manually or with a single motor, do you need the Driver (leader or master) leg or Driven (follower or slave) leg?
4. If you need the Driver leg, does the leg utilize a plastic 3:1 gear reduction box or metal 3:1 gear reduction box?
5. Count the number of teeth on each bevel gear on top of the leg. If the tooth count is 12 on one gear and 16 on the other and the system utilizes

6. Measure the total length of the outer housing tube (see letter "A" on drawing).
7. Measure from the center of the drive shaft to the bottom of the upper stop (see letter "B" on drawing).
8. Measure the distance between the stop tabs (see letter "C" on drawing).



Atwood Mobile Products LLC
 1120 North Main Street • Elkhart, IN 46514
 PHONE: 574•264•2131 FAX: 574•262•2550
 INTERNET: <http://www.atwoodmobile.com>

MPD 70300

3:1 GEAR BOX REPLACEMENT

**METAL GEAR BOX REPLACED BY COMPOSITE GEAR BOX
 5TH WHEEL LANDING LEGS**

ENGLISH

• **Service Kit**
 Effective 4/11/00

SAFETY ALERT SYMBOLS

Safety Symbols alerting you to potential personal safety hazards. Obey all safety messages following these symbols.

WARNING
 avoid possible
 injury or death

CAUTION
 avoid possible
 injury and/or property damage

FOR COMPLETE LANDING LEGS INSTRUCTIONS CONSULT MPD 71125.
 For your safety read all instructions before operating landing legs.

NOTE: Atwood 5th Wheel Landing Legs are intended for use on recreational vehicle 5th wheel-type trailers only.

LANDING LEG CAPACITY

Standard Duty

Manual ▼ 1,000 lbs. per leg, 2,000 lbs. system
Manual ▼▼ 2,000 lbs. per leg, 4,000 lbs. system
Electric ⚡ 2,000 lbs. per leg, 4,000 lbs. system

Heavy-Duty

Manual ▼▼ 3,000 lbs. per leg, 6,000 lbs. system
Electric ⚡ 2,500 lbs. per leg, 5,000 lbs. system
Electric ⚡⚡ 3,000 lbs. per leg, 6,000 lbs. system

Super-Duty

Electric ⚡⚡ 4,000 lbs. per leg, 8,000 lbs. system
 ▼ without gear box ⚡ single motor
 ▼▼ with gear box ⚡⚡ dual motor

DO NOT EXCEED THIS CAPACITY



WARNING
TRAILER CAN MOVE OR COLLAPSE

- Never exceed the rated capacity of 5th Wheel Landing Leg.
- **LANDING LEGS ARE NOT DESIGNED TO BE USED AS TRAILER JACKS.** Do not use the landings legs to lift the trailer during tire changes, axle work or trailer servicing (the trailer weight will exceed the capacity of the landing legs). The landing legs are designed to stabilize a portion of the trailer's weight. Support the front end of the trailer with structural stands rated for the GVWR of the trailer.
- The pin between the ram and drop tube should be the same diameter as the adjustment hole in the drop tube. Otherwise premature wear on drop tube and ram can occur.

DETERMINE LANDING LEG TYPE

- STANDARD DUTY =** A leg with a flat top (FIG 1-A).
HEAVY DUTY = A leg with a rounded top (FIG 1-A), with 1" between the centers of the holes in the drop tube (FIG 1-B).
SUPER DUTY = A leg with a rounded top, with 1-1/2" between the centers of the holes in the drop tube.

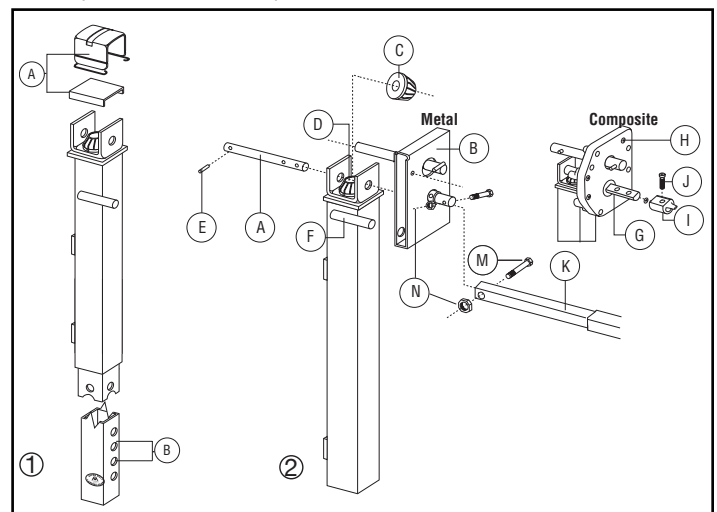
THE DRIVE SHAFTS ARE DIFFERENT. Check your kit. If you have a Standard Duty leg set, the new drive shaft should be silver. For Heavy or Super Duty, the drive shaft is gold.

REMOVAL PROCEDURE

1. Rotate the drive shaft (FIG 2-A) on the driver leg to fully retract the landing leg. Remove the motor (if there is one). Remove the old gear box (FIG 2-B) from the drive shaft.
2. Pop the cap (FIG 1-A) off the top of the leg.
3. Locate the vertical (FIG 2-C) and horizontal (FIG 2-D) bevel gears at the top of the leg.
4. Using a hammer and punch, drive out the pin (FIG 2-E) under the vertical bevel gear that holds it to the drive shaft.
5. Pull out the old drive shaft (FIG 2-A).
6. Cut or grind the mounting lug (FIG 2-F) off of the driver leg. Be careful not to burn through the housing if you use a welding torch. Grind the remaining weld flat to provide a smooth surface on the landing leg face. Paint bare metal with black paint.

INSTALLATION PROCEDURE

1. Slip the new D-drive shaft (FIG 2-G) through hole on the stop tab face of the leg housing. Then slip the D-shaft through the vertical bevel gear (FIG 2-C) and through the second hole in the leg housing.
2. Drive the new pin (FIG 2-E) back under the vertical bevel gear, attaching it to the drive shaft.
3. Reattach the cap (FIG 1-A) to the top of the leg.
4. Slip the new composite 3:1 gear box (FIG 2-H) over the D-shaft of the driver leg.
5. Slip the collar (FIG 2-I) over the D-shaft of the driver leg and fasten it with the screw (FIG 2-J). The extruded part of the collar goes into the cross shaft (if there is one).
6. Assemble the cross shaft, if used, (FIG 2-K), by placing undrilled end of 3/4" square tube into open end of 1" square tube.
7. Re-attach landing leg to frame. Fully retract before attaching cross shaft. Fasten drilled end of 3/4" square tube to end of shaft through gear box with 1/4" x 1-1/8" long screw (FIG 2-M) and lock nut (FIG 2-N). Bolt end of 1" square tube to shaft of driven leg with 1/4" x 1-1/8" long screw and lock nut. To prevent rattle between tubes, tack weld 1" square tube to 3/4" square tube.



Atwood® 12 VDC Motor & Kits



Motor Kit Selection Guide*

Kit No.	MOTOR								SWITCH & WIRING HARNESS			
	Long Legged	Short Legged	3" diameter	Height				Shipping Weight	70254 Single	70259 Narrow Single	70266 Ignition Protected	87701 Dual Motor
				Overall		Leg						
				in.	mm	in.	mm					
75366 †	2	—	—	8 15/16	227	3/4	19	5.75 lbs.	—	—	—	1
75367 †	1	—	—	8 15/16	227	3/4	19	5.75 lbs.	—	—	—	—
75387 †	1	—	—	8 15/16	227	3/4	19	5.75 lbs.	—	1	—	—
75388 † with Warning Label **	1	—	—	8 15/16	227	3/4	19	5.75 lbs.	1	—	—	—
75391 †	1	—	—	8 15/16	227	3/4	19	5.75 lbs.	1	—	—	—
75406 †	—	—	1	8 15/16	227	3/4	19	5.75 lbs.	1	—	—	—
75407 †	1	—	—	8 15/16	227	3/4	19	5.75 lbs.	—	—	1	—
75409 †	—	—	1	8 15/16	227	3/4	19	5.75 lbs.	—	—	—	—
75625	—	1	—	8 7/16	214	1/8	3	5.75 lbs.	—	—	—	—
70334 N/S	—	—	—						—	—	—	—

*Note: All kits also include mounting hardware and instruction manual.

† Long-legged motor for Landing Legs & Power Jacks

△ Short-legged motor for Ball Screw Jacks & Power Jacks

Remote Control Selection Guide			Remote	Relay Control	Switch
85476	Remote Control - 2 Motor	Controls Front Only	85488	85490	85489
85480	Remote Control - 4 Motor	Controls All Four Legs	85492	85491	85489
85487	Remote Control - 1 Motor	Controls One Motor	85494	85493	--

Motor Operating Characteristics

Load Condition	Min RPM	Torque (in.-lbs.)	Max AMP
No Load	116	0	8
Operating Load	75	140	30
Clutch Slip	N/A	180 min. / 300 max.	45

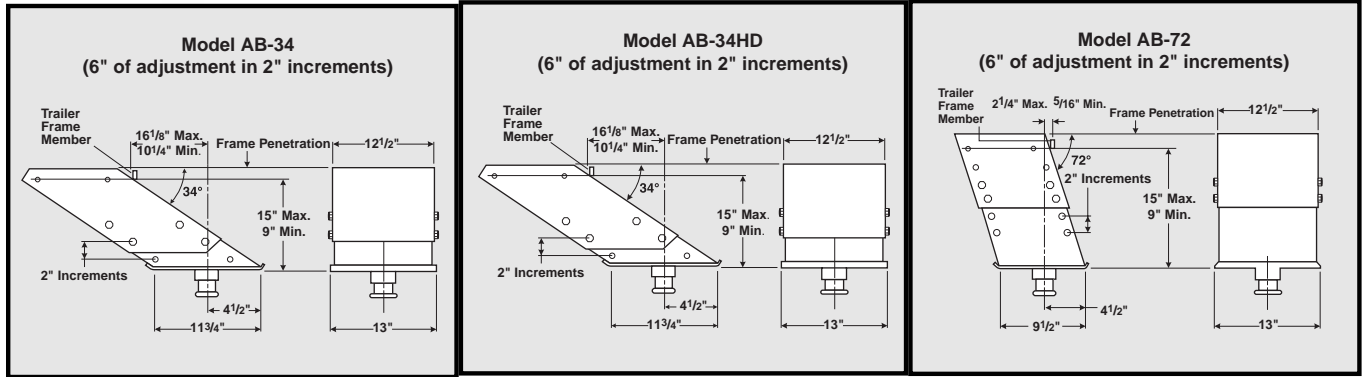
* ULL listed Marine Ignition Protected

Atwood 5th Wheel RV Pin Boxes



5th Wheel King Pin Box Selection Guide

Model No.	Part No.	Description	Angle	Capacity
AB-34	75700	Adjustable height	34°	10,000 lbs. SAE/CSA
AB-34HD	75705	Adjustable height, heavy duty	34°	18,000 lbs. SAE/CSA
AB-72	75690	Adjustable height	72°	18,000 lbs. SAE/CSA
	71251	Inner Sleeve	72°	Fits AB 72
	71275	Inner Sleeve	34°	Fits AB 34



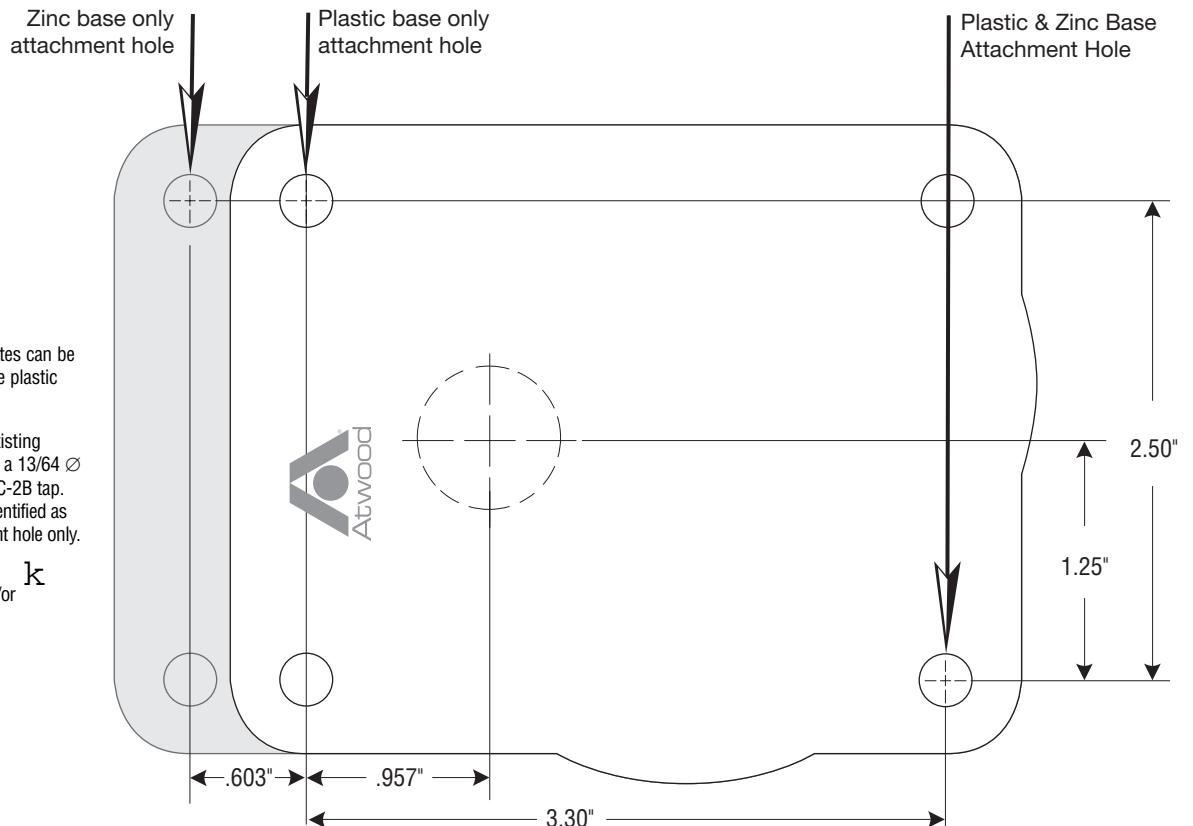
MOTOR TEMPLATE

NOTE: Avoid loading motor to clutch slip. Excessive loading to clutch slip will cause clutch to wear out, decreasing the operating characteristics of the motor. Limit clutch slip to a maximum of only 1 to 2 seconds.

NOTE: Motor attachment plates can be modified to accept the plastic base motors.

To do, drill and tap existing attachment plate with a 13/64 Ø drill and a 1/4-20 UNC-2B tap. At the hole location identified as plastic base attachment hole only.

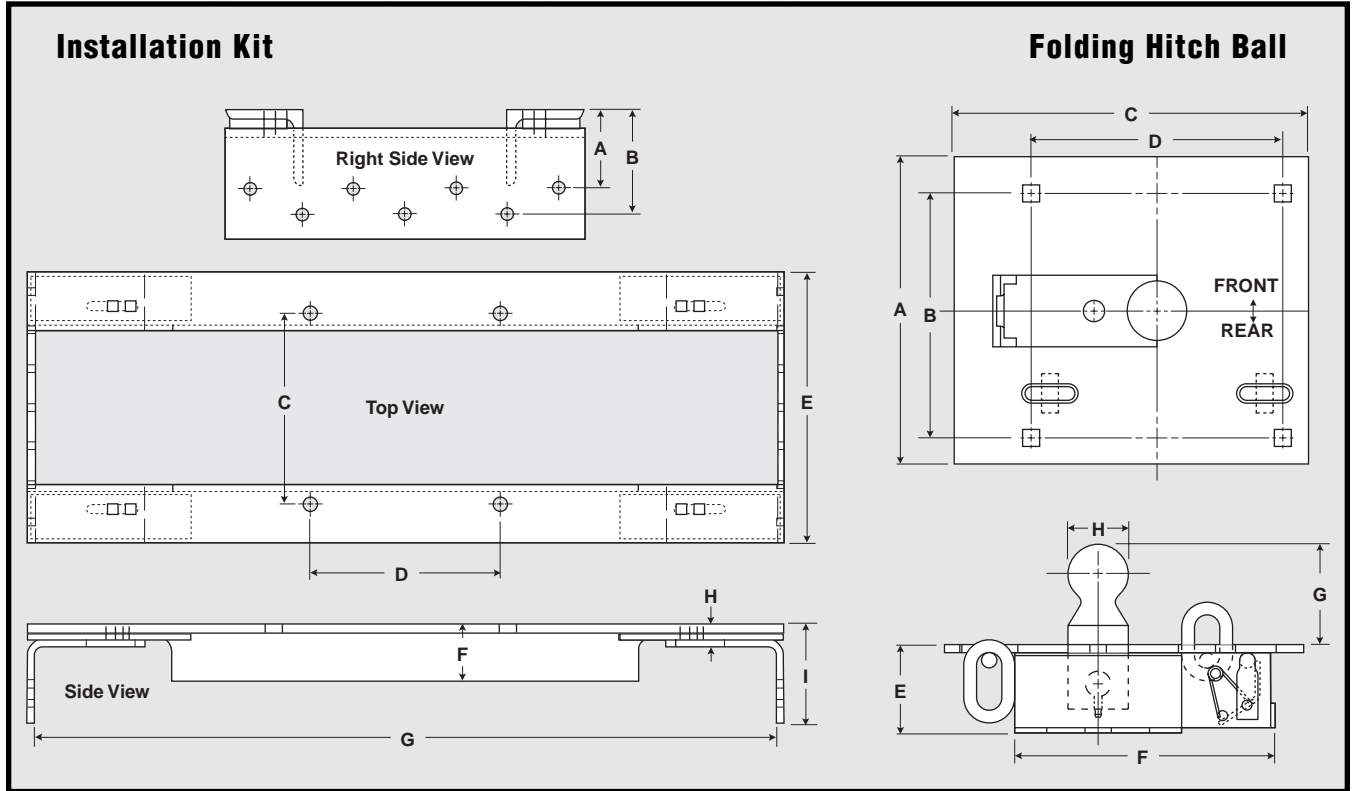
Use full scale layout k for measurements and/or template.



Atwood Folding Hitch Ball & Installation Kit



ADAPTABLE FOR RETRACTABLE KING PIN USE 75133

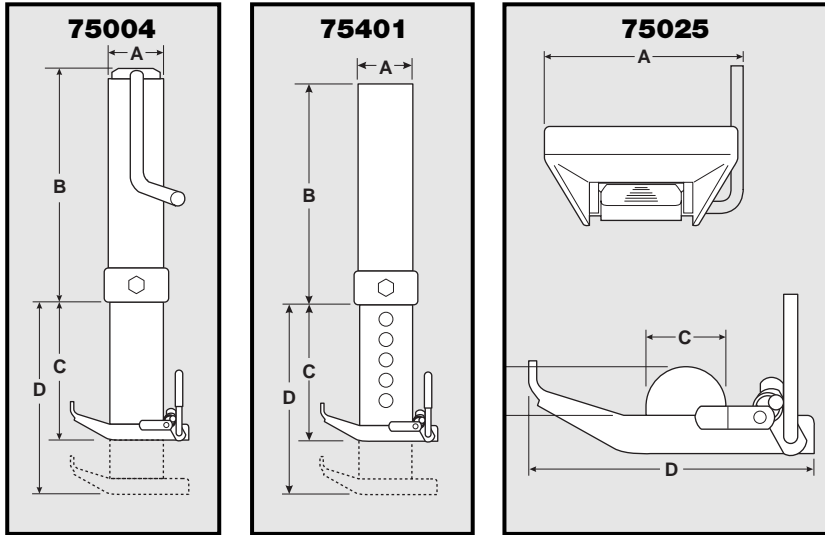


Folding Hitch Ball & Installation Kit Selection Guides

INSTALLATION KIT												
Part No.	Description	25,000 lbs G.V.W.R.	Dimensions									
			A	B	C	D	E	F	G	H	I	
70362	1988-1999 GM 2500 Series Old Style	•	in.	31/8	4 1/8	9 7/8	9 7/8	14	3	40 – 42 1/2	11/8	51/8
			mm	79	105	251	251	356	76	1,016 – 1,080	29	130

FOLDING HITCH BALL											
Part No.	Description	25,000 lbs G.V.W.R.	Dimensions								
			A	B	C	D	E	F	G	H	
75063	without safety chain attachments	•	in.	12	9 7/8	14	9 7/8	3 1/2	10 1/4	4	2 5/16
			mm	305	251	356	251	89	260	102	59
75064	with safety chain attachments <i>as shown</i>	•	in.	12	9 7/8	14	9 7/8	3 1/2	10 1/4	4	2 5/16
			mm	305	251	356	251	89	260	102	59

Atwood Gooseneck Coupler Systems



Gooseneck Coupler Selection Guide

Part No.	Description	Rated Capacity lbs.	A		B		C		D	
			in.	mm	in.	mm	in.	mm	in.	mm
75025	Gooseneck Coupler	25,000	8 1/4	210	1 7/8	48	2 7/8	73	9 3/8	238

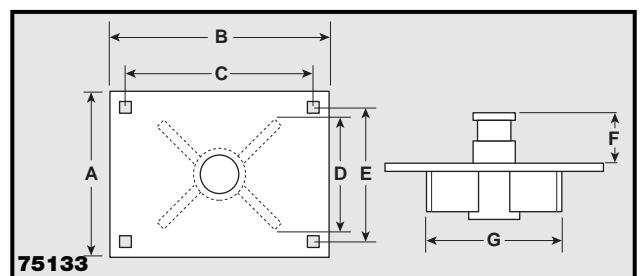
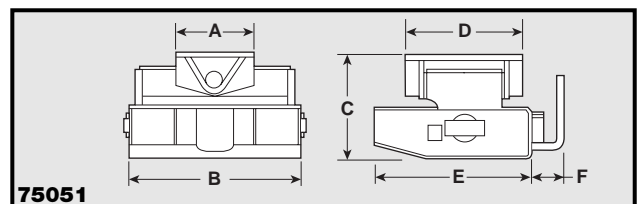
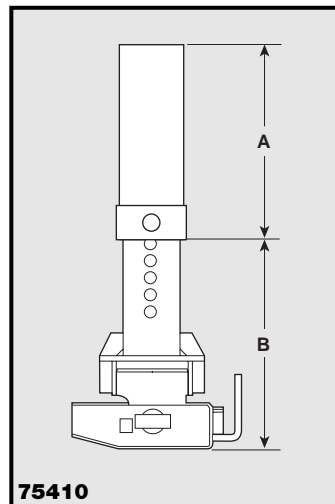
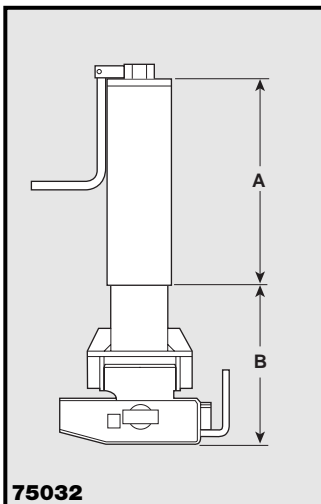
Part No.	Description	Rated Capacity lbs.	A		B		C		D	
			in.	mm	in.	mm	retracted		extended	
							in.	mm	in.	mm
75004	Gooseneck Coupler w/screw adjustable stem	25,000	5	127.0	24 5/8	625.5	3 5/8	92	13 5/8	346
75401	Gooseneck Coupler w/cross bolt drop stem	25,000	5	127.0	24 1/8	612.8	3 5/8	92	13 5/8	346

Atwood 5th Wheel Hitches

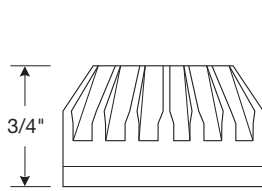
Mini 5th Wheel Hitches and Retractable King Pin Selection Guides

Part No.	Description	Rated Capacity lbs.	A		B		C		D		E		F		G	
			in.	mm	in.	mm	in.	mm	in.	mm	in.	mm	in.	mm	in.	mm
75051	Dual Axis Mini 5th Wheel Hitch	32,000	6	152	13	330	10	254	9	229	12 1/4	311	2 5/8	67	—	—
75133	Retractable King Pin	32,000	12	305	17	432	15	381	7 1/4	184	10	254	3 3/8	86	7 1/4	184

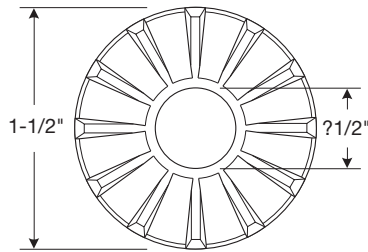
Part No.	Description	Rated Capacity lbs.	A		B			
			in.	mm	retracted		extended	
					in.	mm	in.	mm
75032	Dual Axis Mini 5th Wheel Hitch, adjustable stem	32,000	24 3/4	629	12 1/8	308	22 1/8	562
75410	Dual Axis Mini 5th Wheel Hitch with drop stem	32,000	24 1/4	616	12 1/8	308	22 1/8	562



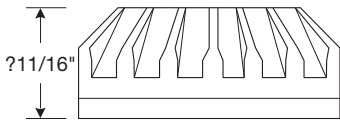
Atwood Bevel Gears



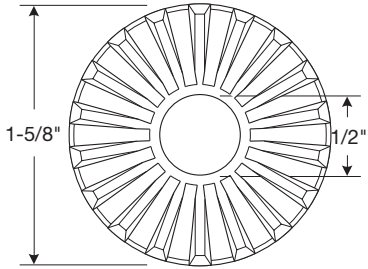
70227



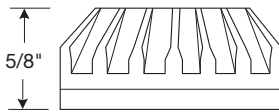
- Qty 1 - 'B' or Heavy Duty 5th Wheel Gear Kit 75029
 - Qty 1 - 2000 lb. Sidewind Jack Gear Kit 81480
 - Qty 1 - Electric BSCJ Gear Kit 87108
- Number of teeth = 12
Slot in bottom = full width



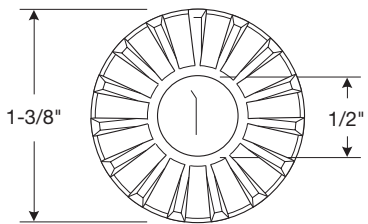
70306



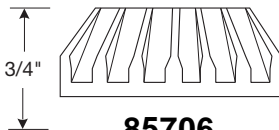
- Qty 2 - 'A' 5th Wheel Jack Gear Kit 71258
- Number of teeth = 18
Slot in bottom = full width



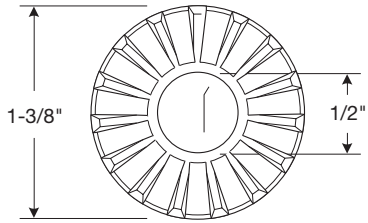
71138



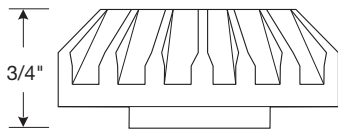
- Qty 1 - 'C' or Standard Duty 5th Wheel Gear Kit 75030
 - Qty 1 - Manual BSCJ Gear Kit 85387
 - Qty 1 - Acme Screw 4-Post Camper Jack (Order by individual gear 71138)
- Number of teeth = 15
Slot in bottom = full width



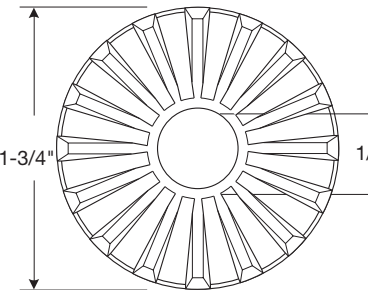
85706



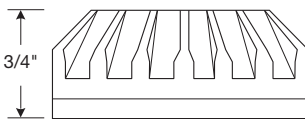
- Qty 2 - 1000 lb SideWind Jack Gear Kit 25524
 - Qty 1 - "C" or Standard Duty 5th Wheel Jack Kit 75030
 - Qty 1 - Acme Screw 4-Post Camper Jack (Order by individual gear 85706)
- Number of teeth = 15
Slot in bottom = 7/8" long



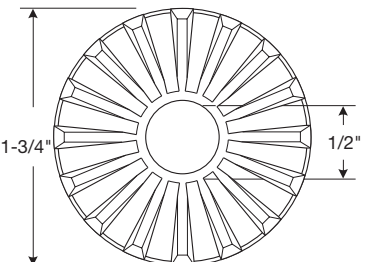
85707



- Qty 1 - 'B' or Heavy Duty 5th Wheel Gear Kit 75029
 - Qty 1 - Electric BSCJ Gear Kit 87108
- Number of teeth = 16
Slot in bottom = 7/8" long

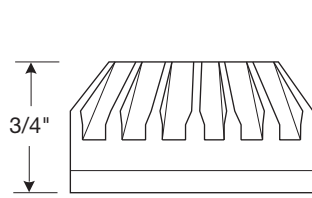


87650

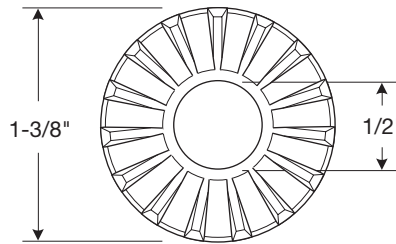


- Qty 1 - 2000 lb. Sidewind Jack Gear Kit 81480
- Number of teeth = 16
Slot in bottom = 7/8" long and full width

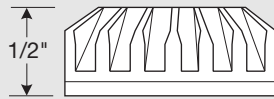
Atwood Bevel Gears



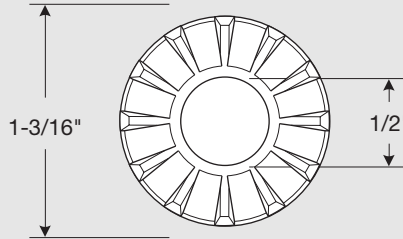
87939



- Qty 1 -Manual BSCJ Kit 85387
- Number of teeth = 15
- Slot in bottom = 7/8" long and full width



88647



- Qty 1 -Marvel/Dayton Walther 2-1/4" Jack Gear Kit 88230 (OBSOLETE)
- Number of teeth = 12
- Keyed hole in gear

GEAR PART NUMBERS

KIT P/N	GEAR KIT DESCRIPTION	70227	70306	71138	85706	85707	87650	87939
25524	Jack Screw				2			
71258	5th Wheel		2					
75029	HD 5th Wheel - Sq Tube Jack	1				1		
75030	Standard Duty 5th Wheel			1	1			
81480	2000 lb Sidewind - Jack Screw	1					1	
85387	Manual Ball Screw Camper Jack			1				1
87108	Electric Ball Screw Camper Jack	1				1		